



ANTI WAVE 550 STARTING PLATFORM

INSTALLATION INSTRUCTIONS



06-335A



Rainbow Pool Products

PO Box 2388, Mansfield Qld 4122

Telephone STD 61-7-3849 5385

Facsimile STD 61-7-3849 5384

Email: info@rainbowpoolproducts.com.au

Web: www.rainbowpoolproducts.com.au

0116

Table of Contents

<u>Topic</u>	<u>Page #</u>
Introduction.....	2
Parts List.....	3
Manufacturer's Placement Instructions.....	4
Installation, Removal and Product Care.....	4-6

INTRODUCTION

The Anti Wave 550 Starting Platform is designed for use on in-ground competitive or municipal pools. Proper installation, use and maintenance are essential for proper operation and to reduce the risk of accident or injury.

****IMPORTANT****

Check entire box and inside all packing materials for parts. Before beginning assembly, read the instructions and identify parts using the figures and parts listed in this document. It is critical that all parts be carefully inspected by the installer prior to installation to ensure that no damage occurred in transit and that a damaged part is not used. Proper installation cannot be overstressed, as an improper installation voids S.R. Smith's warranty and may affect the safety of the user.

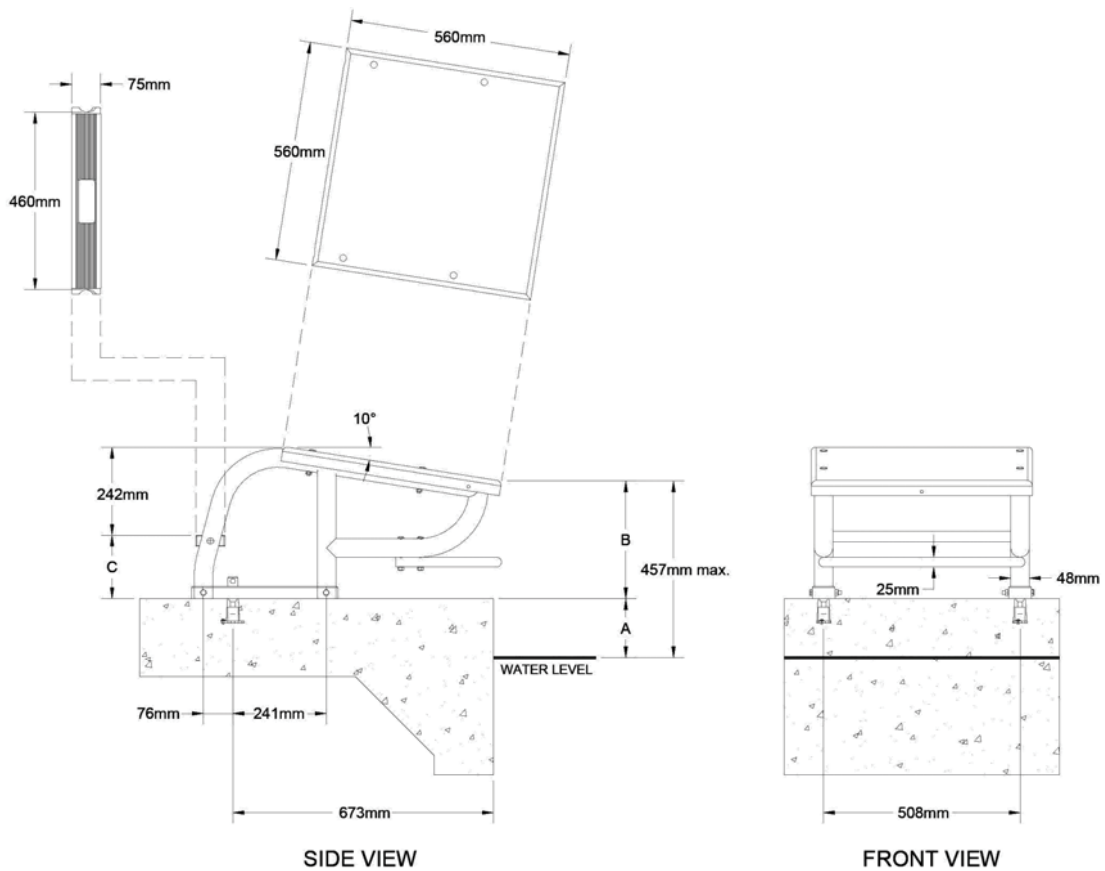


FIGURE 1

ANTI WAVE 550 PROFILE A41795-1

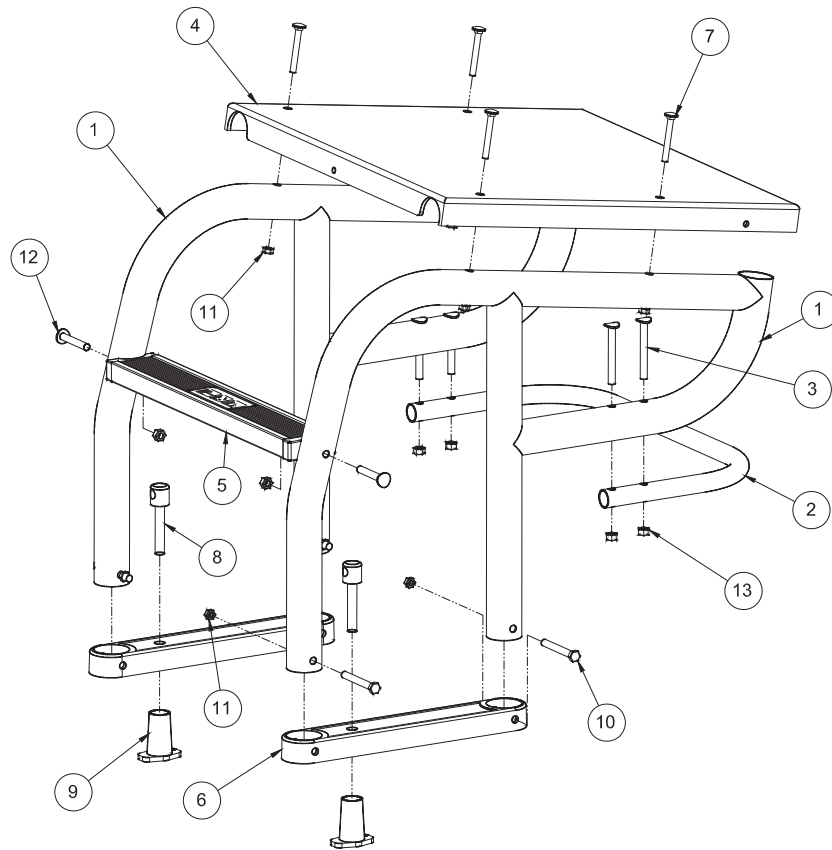


FIGURE 2

ITEM NO.	QTY.	PART NO.	DESCRIPTION
1	2	2402190	9 DEG SIDE RAIL, S/S
2	1	2402050	BACKSTROKE BAR, S/S
3	4	5-167	CRADLE HEAD BOLT, 3/8" UNC X 3-1/4" LG, SS
4	1	A40190-5	PLATFORM, 22" X 22"
5	1	LTDF-105	20" ELITE TREAD W/ NO HARDWARE
6	2	2402030	ANCHOR PLATE, BRONZE
7	4	2024291	CARRIAGE BOLT, 5/16 X 2-1/2, S/S
8	2	A40215-1	BOLT, FLUSH ANCHOR, BRONZE
9	2	2402120	BASE, FLUSH ANCHOR, BRONZE
10	4	2024234	BOLT, HEX HEAD, 3/8-16 X 3" LG, S/S
11	4	2022650	HEX NUT, 5/16-18, S/S
12	2	5-170	3/8"-16 X 2-1/2" CRADLE HEAD BOLT
13	10	5-139	3/8" UNC, HEX NUT, SS
14	2	2406150	WASHER, 1/2 X .20 X .040 BR.
15	2	2024040	SCREW, 10-24 X3/8 BR RHMS