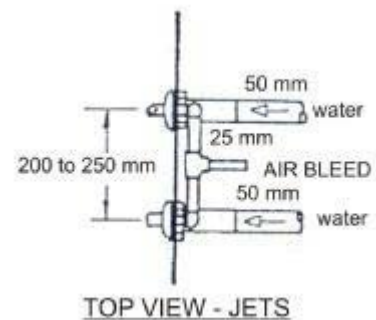
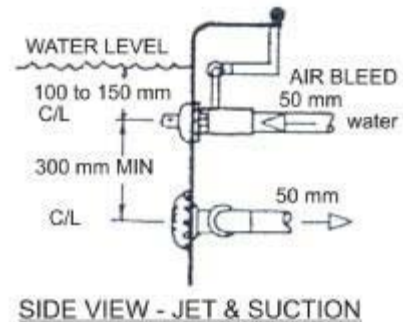
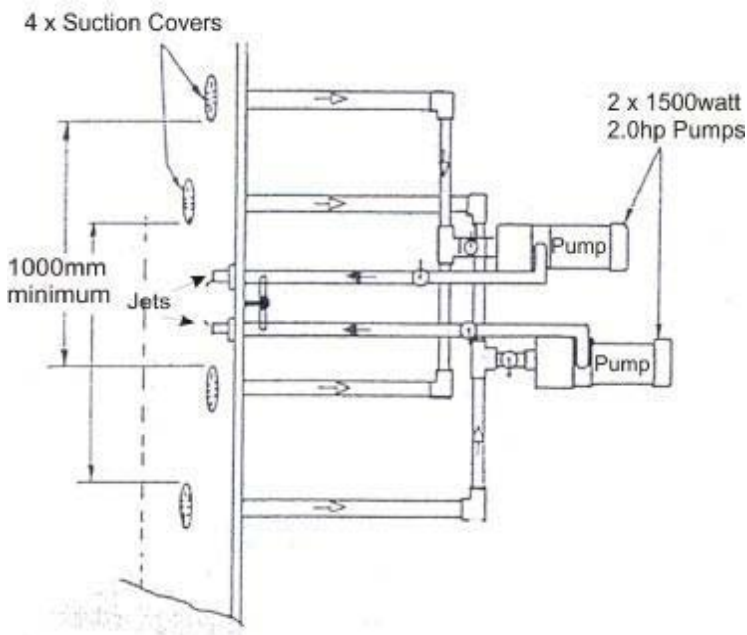


SWIM JET SYSTEMS



SWIM JET KIT

2 x 2.0hp Pumps
2 x Swim Jets
4 x 7" Suctions

4 x 50mm Suctions
(Concrete Shells)
1 x 25mm Air Control

2 x 50mm Pump Take off Unions
4 x 2 Way Valves
(if below water level)

SWIM JET INSTALLATION

Special attention must be given to the following points:

1. A minimum of 2 Swim Jets must be used for each system.
2. Each Swim Jet must be plumbed separately to a 1.5kW (2.0hp) Pump.
3. All pipes and fittings must be a least 50mm nominal diameter and be kept as short as possible to minimise friction losses.
4. Each pump suction must be connected to at least two outlets from the spa/pool by means of a common line.
5. No two suction outlets connected to a common line shall be closer than 1000mm to each other.
6. Each suction outlet, other than skimmers, shall be covered with a Protective Cover that cannot be removed without the use of tools.

If these recommendations are followed, performance and safety will be maintained.

Trying to save a few dollars by reducing pipe sizes, using wrong types or number of Suction Covers, using lower performance pumps etc will invariably lead to an inferior system from both performance and safety aspects and could create pump reliability problems not covered by warranty!



Rainbow Pool Products

PO Box 2388, Mansfield Qld 4122

Telephone STD 61-7-3849 5385

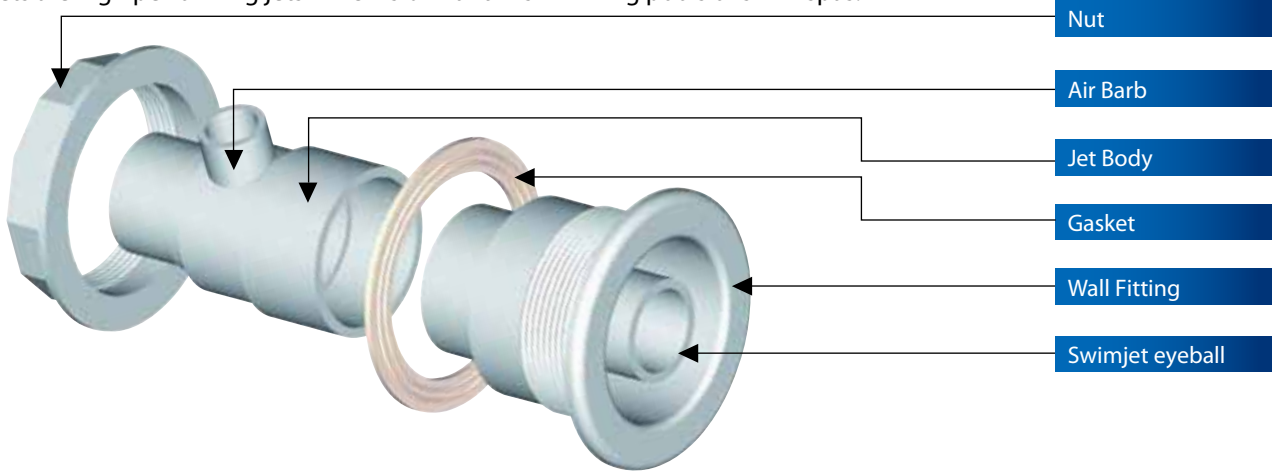
Facsimile STD 61-7-3849 5384

Email: info@rainbowpoolproducts.com.au

Web: www.rainbowpoolproducts.com.au

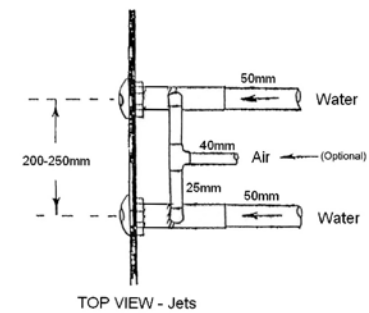
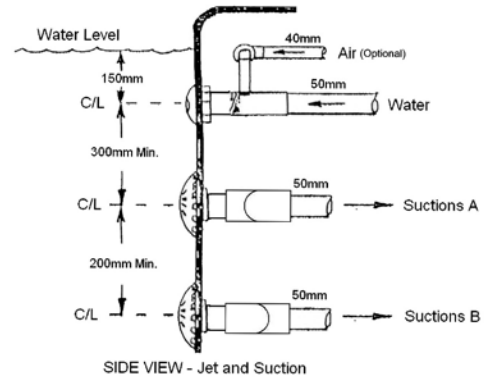
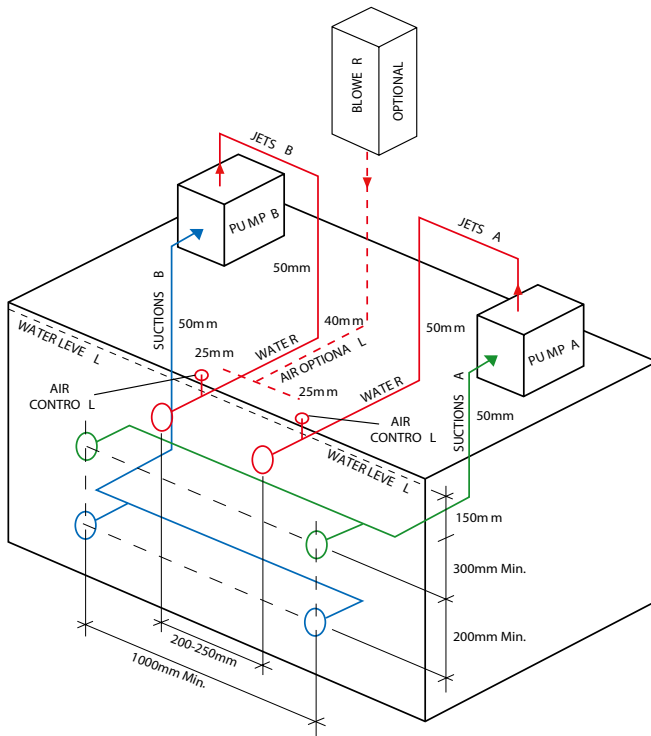
Swimjets

Swimjets are high performing jets which is brilliant in swimming pools or swim spas.



Installation

Waterco Swimjets can be installed in any type pool.



Technical Specifications

Material	Swim Jet Nozzle	Output	Hole Size	Clearance	Installation
White PVC/ABS	1"	340lpm @ 100 kPa	84mm	165mm Behind tub wall	Requires 114mm flat area

Dimensions

