

**RAINBOW**

**POOL PRODUCTS**

Quality Pool & Spa Products

## **EUROPE FILTER**

**(maximum working pressure 2.5 kg/cm<sup>2</sup>)**



### **Description**

#### **Europe Filter**

Filtration Bed 1m

Filtration Bed 1.2m

# SPECIFICATIONS

## Europe Filter – Filtration bed 1m

Polyester and fibreglass filters: complete fitted with pressure gauge panel, manual air relief valve and water purge Ø 200 sand discharge port. Ø 400 mm top lid. Suitable for filtration velocities of 20, 30, 40 and 50 m<sup>3</sup>/h/m<sup>2</sup>. Please enquire for other velocities. All Europe filters can be fitted with valve manifold.

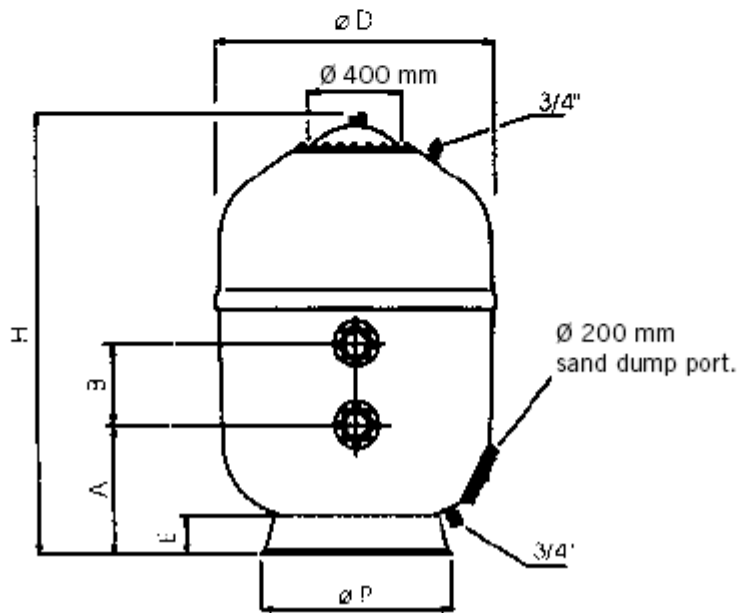
**Maximum working pressure 2.5 Kg/cm<sup>2</sup>**

Diameter Ø mm	Filtration velocity m <sup>3</sup> /h/m <sup>2</sup>	Outlet Ø mm	Flow m <sup>3</sup> /h	Code	Standard Packaging	Standard Weight Kg
1050	20	63*	17	20070	1	125
	30/40	65	25/34	20071	1	125
	50	80	43	20072	1	125
1200	20/30	65	22/33	20068	1	150
	40/50	80	45/56	20069	1	150
1400	20	65	30	21497	1	214
	30	80	46	21498	1	214
	40/50	100	61/77	21499	1	214
1600	20	80	40	21500	1	230
	30/40	100	60/80	21501	1	230
	50	125*	100	21502	1	230
1800	20	80	50	21503	1	344
	30	100	76	21504	1	344
	40	125*	101	21505	1	344
	50	140*	125	21506	1	344
2000	20	100	62	21507	1	400
	30	125*	94	21508	1	400
	40	140*	125	21509	1	400
	50	150	157	21510	1	400
2350	20	125*	87	33820	1	600
	30	140*	130	33822	1	600
	40	150	174	33824	1	600
	50	200*	217	33826	1	600
2500	20	140*	100	34302	1	630
	30	150	150	34303	1	630
	40	200*	200	34304	1	630
	50	200	225	34305	1	630

\* European Pipe Connections

$\varnothing$ (mm)	1050	1200	1400	1600	1800	2000	2350	2500
Filtration bed height (m)	1	1	1	1	1	1	1	1
H (mm)	1860	1860	2000	2100	2200	2200	2430	2525
B (mm)	270*	350	400	400	400	400	400	500
A (mm)	540	570	615	710	725	805	950	1015
$\varnothing P$ (mm)	760	850	1083	1230	1370	1558	1830	1830
E (mm)	170	180	240	250	270	300	355	-
Filtration area (m <sup>2</sup> )	0.86	1.13	1.54	2.01	2.54	3.14	4.34	4.9
Volume (l)	1250	1575	2185	2965	3850	4850	7230	9385
Sand 0.4 – 0.8 mm (Kg)	1050	1360	1820	2375	3010	3750	5000	5600
Gravel 1 – 2 mm (Kg)	265	325	410	515	760	1060	2000	2920
Total weight in operation	2060	2600	3500	4700	6150	7800	10786	13800

\* For 2" multiport valve the height will be 230 mm.



## Europe Filter – Filtration bed 1.2m

Diameter Ø mm	Filtration velocity m <sup>3</sup> /h/m <sup>2</sup>	Outlet Ø mm	Flow m <sup>3</sup> /h	Code	Standard Packaging	Standard Weight Kg
1050	20*	63*	17	31857	1	140
	30/40**	65	25/34	31858	1	140
	50	80	43	31859	1	140
1200	20/30	65	22/33	31860	1	155
	40/50	80	45/56	31861	1	155
1400	20	65	30	21511	1	215
	30	80	46	21512	1	215
	40/50	100	61/77	21513	1	215
1600	20	80	40	21514	1	255
	30/40	100	60/80	21515	1	255
	50	125*	100	21516	1	255
1800	20	80	50	21517	1	385
	30	100	76	21518	1	385
	40	125*	101	21519	1	385
	50	140*	125	21520	1	385
2000	20	100	62	21521	1	425
	30	125*	94	21522	1	425
	40	140*	125	21523	1	425
	50	150	157	21524	1	425
2350	20	125*	87	33821	1	630
	30	140*	130	33823	1	630
	40	150	174	33825	1	630
	50	200*	217	33827	1	630
2500	20	140*	100	34306	1	860
	30	150	150	34307	1	860
	40	200*	200	34308	1	860
	50	200	225	34309	1	860

\* European Pipe Connections

Ø (mm)	1050	1200	1400	1600	1800	2000	2350	2500
Filtration bed height (m)	1.2	1.2	1.2	1.2	1.2	1.2	1.2	1.2
H (mm)	2060	2060	2200	2300	2400	2400	2630	2675
B (mm)	270	350	400	400	400	400	400	500
A (mm)	540	570	615	710	725	805	950	1015
Ø P (mm)	760	850	1085	1230	1370	1560	1830	1830
E (mm)	170	180	240	250	270	300	355	-
Filtration area (m <sup>2</sup> )	0.86	1.13	1.54	2.01	2.54	3.14	4.34	4.90
Volume (l)	1500	1900	2650	3560	4620	5820	8060	-
Sand 0.4 – 0.8 mm (Kg)	1300	1660	2220	2950	3680	4600	6130	6680
Gravel 1 – 2 mm (Kg)	265	325	410	515	760	1060	2000	2920
Total weight in operation (Kg)	2375	2950	4000	5475	6950	8800	12180	14460

