

RAINBOW

POOL PRODUCTS

Quality Pool & Spa Products

EUROPE FILTER

(maximum working pressure 4 kg/cm²)



Description

Europe Filter

Filtration Bed 1m

Filtration Bed 1.2m

SPECIFICATIONS

Europe Filter – Filtration bed 1m

Polyester and fibreglass filters. Totally corrosion-resistant and resistant to salt water Fitted with pressure gauge panel, manual air relief valve and water purge. Ø 400 mm lid. Ø 200 mm sand discharge port. Suitable for filtration velocities of 20, 30, 40 and 50 m³/h/m². Please enquire for other velocities. All Europe filters can be fitted with valve manifold.

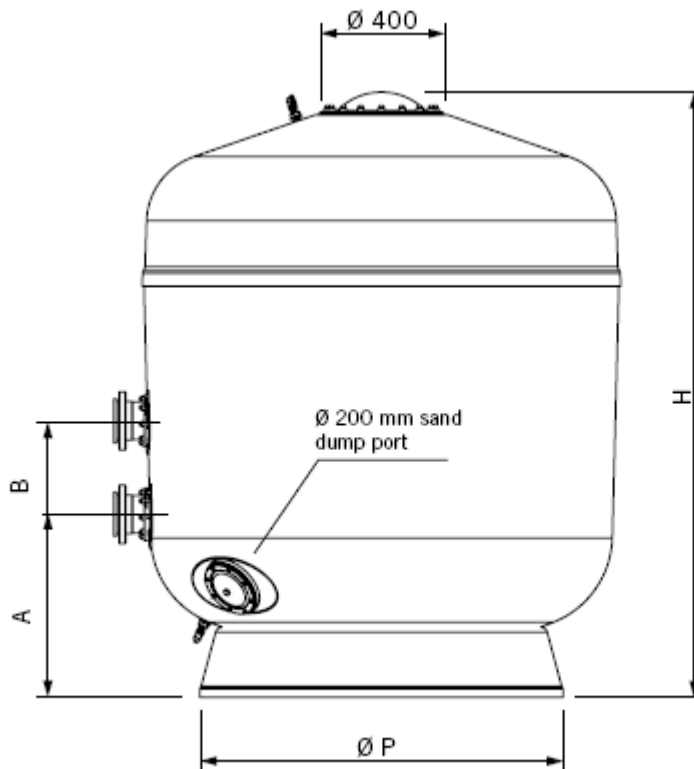
Maximum working pressure 4 Kg/cm²

Diameter Ø mm	Filtration velocity m ³ /h/m ²	Outlet Ø mm	Flow m ³ /h	Code	Standard Packaging	Standard Weight Kg
1050	20	63*	17	34238	1	125
	30/40	65	25/34	34239	1	125
	50	80	43	34240	1	125
1200	20/30	65	22/33	34241	1	150
	40/50	80	45/56	34242	1	150
1400	20	65	30	34244	1	214
	30	80	46	34245	1	214
	40/50	100	61/77	34246	1	214
1600	20	80	40	34248	1	230
	30/40	100	60/80	34249	1	230
	50	125*	100	34250	1	230
1800	20	80	50	34253	1	344
	30	100	76	34254	1	344
	40	125*	101	34255	1	344
	50	140*	125	34256	1	344
2000	20	100	62	34258	1	400
	30	125*	94	34259	1	400
	40	140*	125	34260	1	400
	50	150	157	34261	1	400
2350	20	125*	87	34262	1	600
	30	140*	130	34263	1	600
	40	150	174	34264	1	600
	50	200*	217	34265	1	600
2500	20	140*	100	34266	1	860
	30	150	150	34267	1	860
	40	200*	200	34268	1	860
	50	200	225	34269	1	860

* European Pipe Connections

Ø (mm)	1050	1200	1400	1600	1800	2000	2350	2500
Filtration bed height (m)	1	1	1	1	1	1	1	1
H (mm)	1860	1860	2000	2100	2200	2200	2430	2525
B (mm)	270*	350	400	400	400	400	400	500
A (mm)	540	570	615	710	725	805	950	1015
Ø P (mm)	760	850	1083	1230	1370	1558	1830	1830
Filtration area (m ²)	0.86	1.13	1.54	2.01	2.54	3.14	4.34	4.9
Volume (l)	1250	1575	2185	2965	3850	4850	7230	9385
Sand 0.4 – 0.8 mm (Kg)	1050	1360	1820	2375	3010	3750	5000	5600
Gravel 1 – 2 mm (Kg)	265	325	410	515	760	1060	2240	2920
Total weight in operation	2060	2600	3500	4700	6150	7800	11040	13800

* For 2" multiport valve the height will be 230 mm.



Europe Filter – Filtration bed 1.2m

Diameter Ø mm	Filtration velocity m ³ /h/m ²	Outlet Ø mm	Flow m ³ /h	Code	Standard Packaging	Standard Weight Kg
1050	20	63*	17	34270	1	140
	30/40	65	25/34	34271	1	140
	50	80	43	34272	1	140
1200	20/30	65	22/33	34273	1	155
	40/50	80	45/56	34274	1	155
1400	20	65	30	34276	1	215
	30	80	46	34277	1	215
	40/50	100	61/77	34278	1	215
1600	20	80	40	34280	1	255
	30/40	100	60/80	34281	1	255
	50	125*	100	34282	1	255
1800	20	80	50	34285	1	385
	30	100	76	34286	1	385
	40	125*	101	34287	1	385
	50	140*	125	34288	1	385
2000	20	100	62	34290	1	425
	30	125*	94	34291	1	425
	40	140*	125	34292	1	425
	50	150	157	34293	1	425
2350	20	125*	87	34294	1	630
	30	140*	130	34295	1	630
	40	150	174	34296	1	630
	50	200*	217	34297	1	630
2500	20	140*	100	34298	1	860
	30	150	150	34299	1	860
	40	200*	200	34300	1	860
	50	200	225	34301	1	860

* European Pipe Connections

Ø (mm)	1050	1200	1400	1600	1800	2000	2350	2500
Filtration bed height (m)	1.2	1.2	1.2	1.2	1.2	1.2	1.2	1.2
H (mm)	2060	2060	2200	2300	2400	2400	2630	2675
B (mm)	270	350	400	400	400	400	400	500
A (mm)	540	570	615	710	725	805	950	1015
Ø P (mm)	760	850	1085	1230	1370	1560	1830	1830
Filtration area (m ²)	0.86	1.13	1.54	2.01	2.54	3.14	4.34	4.90
Volume (l)	1500	1900	2650	3560	4620	5820	8060	-
Sand 0.4 – 0.8 mm (Kg)	1300	1660	2220	2950	3680	4600	6130	6680
Gravel 1 – 2 mm (Kg)	265	325	410	515	760	1060	2240	2920
Total weight in operation	2375	2950	4000	5475	6950	8800	12450	14460

