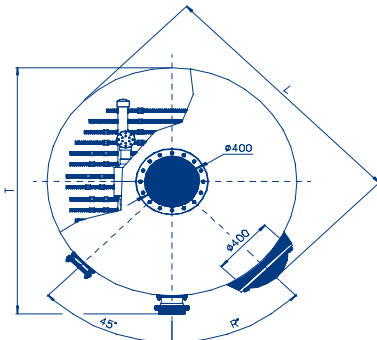
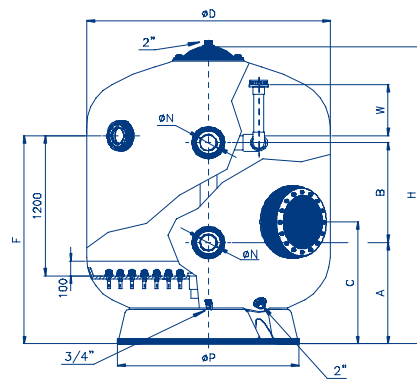
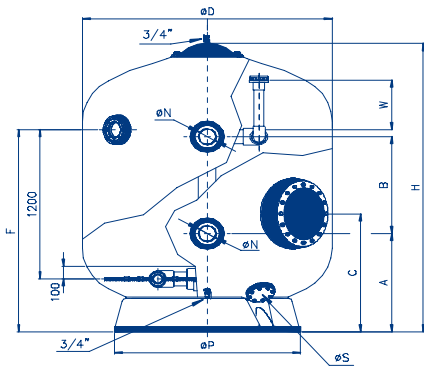


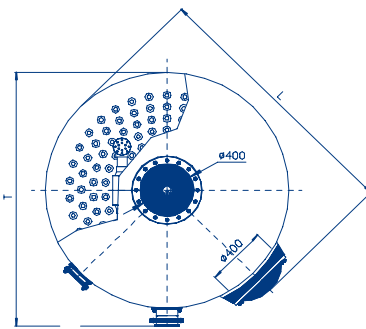
# FILTRATION

## Oslo Filters - Media Recommendation

Ø (mm)	1050		1200		1400		1600		1800		2000		2350		2500		3000	
Filtration Velocity (M3/H/M2)	30	40	30	40	30	40	30	40	30	40	30	40	30	40	30	40	30	40
Ø N (mm)	75	90	75	110	90	125	110	140	125	160	125	160	140	200	160	225	200	250
	DN65	DN80	DN65	DN100	DN80	DN110	DN100	DN125	DN110	DN150	DN110	DN150	DN125	DN175	DN150	DN200	DN175	DN225
2.5 bar	04611	04612	04613	04650	04615	04616	04619	04651	04623	04624	04626	04652	08693	08694	08704	08706	08708	08710
4 bar	05168	05173	05169	05174	07436	07437	05170	05175	07438	07439	05171	05176	05172	05177	08712	08714	08716	08718
Flow Rate m3/h	25	34	33	45	46	61	60	80	76	101	94	125	130	175	150	200	212	282
Filtration area m2	0.86		1.13		1.54		2.01		2.54		3.14		4.34		4.90		7.07	
Vol (l)	1500		1860		2700		3620		4725		5800		8800		9850		15350	
Amm	650		670		680		780		790		790		1065		1125		1150	
Bmm	940		920		820		800		780		840		700		450		600	
Cmm	770		770		840		870		950		950		1030		1080		1140	
Fmm	1550		1550		1570		1625		1625		1695		1850		1760		1870	
Hmm	2070		2080		2175		2310		2320		2460		2720		2750		2950	
Lmm	1240		1390		1590		1790		1990		2190		2550		2700		3200	
Ø P mm	750		940		1085		1230		1370		1550		1830		1830		2365	
R mm	55		45		45		45		45		45		45		45		45	
Ø S mm	90		90		90		140		140		140		140		140		140	
T mm	1220		1380		1570		1780		2000		2200		2550		2750		3200	
W mm	325		350		350		400		400		400		500		500		500	
Total service weight kg	2450		3000		4300		5825		7300		9000		13750		14885		21615	



With laterals



With nozzle plate

## FILTRATION

### Oslo Filters (Sand bed depth: 1.2m)

**Description:**

Vertical high performance bobbin wound fibreglass filter. Equipped with pressure gauge, manual air vent, water purge and laterals with 0.3mm slots.

**Options:**

Nozzle collector plate with 0.5mm slots. Side manhole. Additional sightglass. Vinylester internal lining. Models available for maximum working pressure 250 kPa (2.5 bar) and 400 kPa (4.0 bar).

**Ordering:**

Refer to Options Page for option codes and pricing.

\*\*All filter vessels from 2350mm diameter will require special transport. Please ask for a quotation at the time of your enquiry.

**Warranty guide:**

2 year full plus 8 year pro rate warranty on filter tank and 1 year full warranty on internal components, gauges, valve. Refer to instructions and website for full warranty details

\* EUROPEAN PIPE CONNECTIONS



### Tanks - Maximum working pressure: 250kPa (2.5 bar) - Test Pressure 375 kPa

Model	Product Code	Velocity m3/h/m2	Flow Rate m3/hr	Connections
Oslo Filter Ø 1.050	04611	30	25	65mm
Oslo Filter Ø 1.050	04612	40	34	80mm
Oslo Filter Ø 1.200	04613	30	33	65mm
Oslo Filter Ø 1.200	04650	40	45	100mm
Oslo Filter Ø 1.400	04615	30	46	80mm
Oslo Filter Ø 1.400	04616	40	61	125mm*
Oslo Filter Ø 1.600	04619	30	60	100mm
Oslo Filter Ø 1.600	04651	40	80	140mm*
Oslo Filter Ø 1.800	04623	30	76	125mm*
Oslo Filter Ø 1.800	04624	40	100	150mm
Oslo Filter Ø 2.000	04626	30	94	125mm*
Oslo Filter Ø 2.000	04652	40	125	150mm
Oslo Filter Ø 2.350	08693	30	130	140mm*
Oslo Filter Ø 2.350	08694	40	175	200mm*
Oslo Filter Ø 2.500	08704	30	150	150mm
Oslo Filter Ø 2.500	08706	40	200	225mm
Oslo Filter Ø 3.000	08708	30	212	200mm*
Oslo Filter Ø 3.000	08710	40	282	250mm



## Rainbow Pool Products

PO Box 2388, Mansfield Qld 4122

Telephone STD 61-7-3849 5385

Facsimile STD 61-7-3849 5384

Email: [info@rainbowpoolproducts.com.au](mailto:info@rainbowpoolproducts.com.au)

Web: [www.rainbowpoolproducts.com.au](http://www.rainbowpoolproducts.com.au)

## FILTRATION

Tanks - Maximum working pressure 400 kPa (4.0 bar) - Test pressure 600 kPa

Model	Product Code	Velocity m <sup>3</sup> /h/m <sup>2</sup>	Flow Rate m <sup>3</sup> /hr	Connections
Oslo Filter Ø 1.050	05168	30	25	65mm
Oslo Filter Ø 1.050	05173	40	34	80mm
Oslo Filter Ø 1.200	05169	30	33	65mm
Oslo Filter Ø 1.200	05174	40	45	100mm
Oslo Filter Ø 1.400	07436	30	46	80mm
Oslo Filter Ø 1.400	07437	40	61	125mm*
Oslo Filter Ø 1.600	05170	30	60	100mm
Oslo Filter Ø 1.600	05175	40	80	140mm*
Oslo Filter Ø 1.800	07438	30	76	125mm*
Oslo Filter Ø 1.800	07439	40	100	150mm
Oslo Filter Ø 2.000	05171	30	94	125mm*
Oslo Filter Ø 2.000	05176	40	125	150mm
Oslo Filter Ø 2.350	05172	30	130	140mm*
Oslo Filter Ø 2.350	05177	40	175	200mm*
Oslo Filter Ø 2.500	08712	30	150	150mm
Oslo Filter Ø 2.500	08714	40	200	225mm
Oslo Filter Ø 3.000	08716	30	212	200mm*
Oslo Filter Ø 3.000	08718	40	282	250mm

### MULTILAYER - Nozzle plate - Filtration bed 1.2m

Diameter mm	1050	1200	1400	1600	1800	2000	2350	2500	2600	2800	3000
Hydroanthracite (0.8-1.6) Kg	600 mm	450	575	775	1000	1275	1575	2175	2450	2548	3550
Sand (0.4-0.8) Kg	400 mm	475	625	825	1100	1400	1700	2350	2675	2973	3850
Gravel (1-2) Kg	100 mm	150	175	250	300	400	500	675	775	796	1100
Gravel (3-5) Kg	100 mm	150	175	250	300	400	500	675	775	796	1100

### MULTILAYER - Nozzle plate - Filtration bed 1.5m

Diameter mm	1050	1200	1400	1600	1800	2000	2350	2500	2600	2800	3000
Hydroanthracite (0.8-1.6) Kg	600 mm	450	575	775	1000	1275	1575	2175	2450	2548	3550
Sand (0.4-0.8) Kg	600 mm	725	950	1250	1650	2100	2550	3525	4025	4460	5775
Gravel (1-2) Kg	100 mm	150	175	250	300	400	500	675	775	796	1100
Gravel (2-3) Kg	100 mm	150	175	250	300	400	500	675	775	796	1100
Gravel (3-5) Kg	100 mm	150	175	250	300	400	500	675	775	796	1100

### SINGLELAYER - Nozzle plate - Filtration bed 1.2m

Diameter mm	1050	1200	1400	1600	1800	2000	2350	2500	2600	2800	3000
Sand (0.4-0.8) Kg	1100 mm	1300	1775	2300	3000	3800	4650	6300	7075	8176	10575
Gravel (1-2) Kg	100 mm	150	175	250	300	400	500	675	775	796	1100

### SINGLELAYER - Nozzle plate - Filtration bed 1.5m

Diameter mm	1050	1200	1400	1600	1800	2000	2350	2500	2600	2800	3000
Sand (0.4-0.8) Kg	1200 mm	1450	1900	2500	3300	4200	5100	7050	8050	8920	11550
Gravel (1-2) Kg	100 mm	150	175	250	300	400	500	675	775	7964	1100
Gravel (2-3) Kg	100 mm	150	175	250	300	400	500	675	775	7964	1100
Gravel (3-5) Kg	100 mm	150	175	250	300	400	500	675	775	7964	1100

### MULTILAYER - Collector arms - Filtration bed 1.2m

Diameter mm	1050	1200	1400	1600	1800	2000	2350	2500	2600	2800	3000
Hydroanthracite (0.8-1.6) Kg	600 mm	450	575	775	1000	1275	1575	2175	2450	2548	3550
Sand (0.4-0.8) Kg	400 mm	475	625	825	1100	1400	1700	2350	2675	2973	3850
Gravel (2-3) Kg	100 mm	150	175	250	300	400	500	675	775	796	1100
Gravel (3-5) Kg	100 mm (1)	300	350	500	775	850	1150	1800	1975	2123	2463

### SINGLELAYER - Collector arms - Filtration bed 1.5m

Diameter mm	1050	1200	1400	1600	1800	2000	2350	2500	2600	2800	3000
Sand (0.4-0.8) Kg	1100 mm	1300	1775	2300	3000	3800	4650	6300	7075	8176	10575
Gravel (1-2) Kg	100 mm (1)	300	350	500	775	850	1150	1800	1975	2123	2463