

**POLYPROPYLENE AND FIBREGLASS STRAINER -
 33L CAPACITY WITH SIGHTGLASS**



Code	Description	3 Year Warranty
	Strainer in Polypropylene and Fibreglass	
15644	Connections 80mm – 37 m ³ /h	
15646	Connections 100mm – 55 m ³ /h	
15646	Connections 125mm – 72 m ³ /h	
15647	Connections 140mm – 90 m ³ /h	
15648	Strainers 3" – 37m ³ /h	
15649	Strainers 4" – 55m ³ /h	

SPECIFICATIONS

Strainer in Polypropylene and Fibreglass – 33L Capacity with Sightglass

Description:

Flanges drilled according to DIN-2501. Hoop type clamp. Drain plug. Maximum working pressure: 1.5bar.

Ordering:

Please specify product number when ordering.

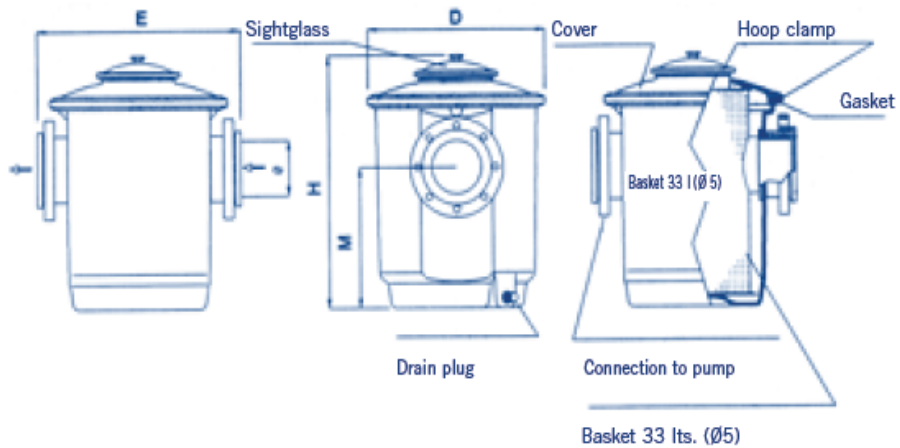
Warranty Guide:

Limited three (3) year warranty on all components. Refer to instructions for full warranty details

Product Code

Connections 80mm - 37 m3/h	15644
Connections 100mm - 55 m3/h	15645
Connections 125mm - 72 m3/h	15646
Connections 140mm - 90 m3/h	15647
Strainer 3" - 37 m3/h	15648
Strainer 4" - 55 m3/h	15649

33 L POLYESTER STRAINERS.



Ref.	15644	15645	15646	15647	15648	15649
H	635	635	635	635	635	635
D	475	475	475	475	475	475
M	353	353	353	353	353	353
Ø	90	110	125	140	3"	4"
E	500	516	532	546	500	516