

FILTRATION



Rainbow Pool Products

PO Box 2388, Mansfield Qld 4122
 Telephone STD 61-7-3849 5385
 Facsimile STD 61-7-3849 5384
 Email: info@rainbowpoolproducts.com.au
 Web: www.rainbowpoolproducts.com.au

Rodas Filter 1050mm (Sand bed depth: 0.6mm)

Description:

Fibreglass horizontal commercial sand filters 1050 mm diameter. Maximum operating temperature 50°C. Tested at 1.5 times maximum operating pressure. Equipped with pressure gauge panel, manual air, water purge and 400mm loading access. Internal components and pipe in PVC. Laterals 0.3 mm slots in PP. Bolts, nuts and washers in AISI-316. EPDM seals and gaskets.

Options:

Options for side opening placement. Vinylster internal lining for ozone treated pools. Sightglass 135mm and 400mm side manhole.

Ordering:

Refer to Options Page for options codes and pricing.

Warranty guide:

2 year full plus 8 year pro rate warranty on filter tank and 1 year full warranty on internal components, gauges, valve. Refer to instructions and website for full warranty details



* EUROPEAN PIPE CONNECTIONS

Tanks - Maximum working pressure: 250 kPa (2.5 bar) - Test pressure 375 kPa

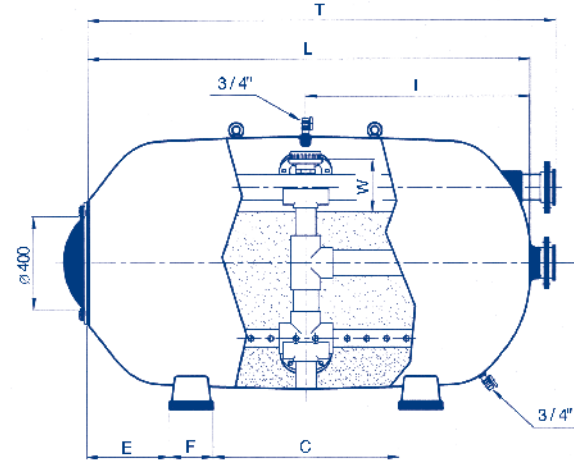
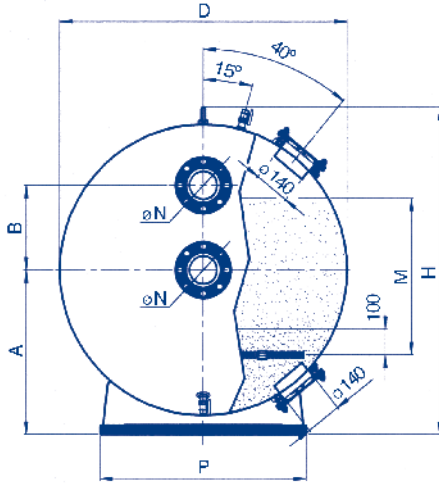
Model	Product Code	Velocity m ³ /h/m ²	Flow Rate m ³ /hr	Connections
Rodas Filter Ø 1.050 - length 1,900	05102	20	34	65mm
Rodas Filter Ø 1.050 - length 1.900	05105	30	52	80mm
Rodas Filter Ø 1.050 - length 1.900	05108	40	69	100mm
Rodas Filter Ø 1.050 - length 2.300	11331	20	42	100mm
Rodas Filter Ø 1.050 - length 2.300	11332	30	64	125mm*
Rodas Filter Ø 1.050 - length 2.300	11333	40	85	140mm*
Rodas Filter Ø 1.050 - length 2.500	24842	20	46	100mm
Rodas Filter Ø 1.050 - length 2.500	24843	30	70	125mm*
Rodas Filter Ø 1.050 - length 2.500	24844	40	93	140mm*
Rodas Filter Ø 1.050 - length 2.700	11334	20	50	100mm
Rodas Filter Ø 1.050 - length 2.700	11335	30	75	125mm*
Rodas Filter Ø 1.050 - length 2.700	11336	40	100	140mm*
Rodas Filter Ø 1.050 - length 3.000	22647	20	56	100mm
Rodas Filter Ø 1.050 - length 3.000	22648	30	84	140mm*
Rodas Filter Ø 1.050 - length 3.000	22649	40	112	150mm

Tanks - Maximum working pressure: 400 kPa (4.0 bar) - Test pressure 600 kPa

Model	Product Code	Velocity m ³ /h/m ²	Flow Rate m ³ /hr	Connections
Rodas Filter Ø 1.050 - length 1,900	07124	20	34	65mm
Rodas Filter Ø 1.050 - length 1.900	07125	30	52	80mm
Rodas Filter Ø 1.050 - length 1.900	07126	40	69	100mm
Rodas Filter Ø 1.050 - length 2.300	11321	20	42	100mm
Rodas Filter Ø 1.050 - length 2.300	11322	30	64	125mm*
Rodas Filter Ø 1.050 - length 2.300	11323	40	85	140mm*
Rodas Filter Ø 1.050 - length 2.500	25016	20	46	100mm
Rodas Filter Ø 1.050 - length 2.500	25017	30	70	125mm*
Rodas Filter Ø 1.050 - length 2.500	25018	40	93	140mm*
Rodas Filter Ø 1.050 - length 2.700	11326	20	50	100mm
Rodas Filter Ø 1.050 - length 2.700	11327	30	75	125mm*
Rodas Filter Ø 1.050 - length 2.700	11328	40	100	140mm*
Rodas Filter Ø 1.050 - length 3.000	22683	20	56	100mm
Rodas Filter Ø 1.050 - length 3.000	22684	30	84	140mm*
Rodas Filter Ø 1.050 - length 3.000	20895	40	112	150mm

FILTRATION

Rodas Filter 1050mm & 1200mm



Length (mm)	Filtration Velocity (m ³ /h/m ³)	Ø N (mm)	2.5 bar 4 bar	Flow m ³ /h	Filtration area m ²	Vol (l)	A (mm)	B (mm)	C (mm)	E (mm)	F (mm)	H (mm)	I (mm)	P (mm)	T (mm)	W (mm)	Total Service weight kg	Sand Charge Kg			
																		Gravel	Sand		
Diameter 1050mm - Height of filter bed 0.6m																		1-1.2mm	0.4-0.8mm		
1900	20	75	DN65	05102	07124	34	1.72	1480	630	325	760	380	190	1260	950	800	2160	170	2530	350	950
	30	90	DN80	05105	07125	52															
	40	110	DN100	05108	07126	69															
2300	20	110	DN100	11331	11321	42	2.12	1820	630	325	1000	460	190	1260	1150	800	2560	170	3100	475	1250
	30	125	DN110	11332	11322	64															
	40	140	DN125	11333	11323	85															
2500	20	110	DN100	24842	25016	46	2.32	2000	630	3235	1120	500	190	1260	1250	800	2760	170	3380	575	1525
	30	125	DN110	24843	25017	70															
	40	140	DN125	24844	25018	93															
2700	20	110	DN100	11334	11326	50	2.51	2170	630	325	1240	540	190	1260	1350	800	2960	170	3670	700	1800
	30	125	DN110	11335	11327	75															
	40	140	DN125	11336	11328	100															
3000	20	110	DN100	22647	22683	56	2.81	2430	630	325	1420	600	190	1260	1500	800	3260	170	4100	775	2025
	30	140	DN125	22648	22684	84															
	40	160	DN150	22649	20895	112															
Diameter 1200mm - Height of filter bed 0.6m																					
1900	20	110	DN100	22650	22685	39	1.96	1900	725	325	760	380	200	1390	950	900	2130	225	3220	425	1100
	30	125	DN110	22651	22686	59															
	40	140	DN125	22652	22687	79															
2300	20	110	DN100	22653	22688	48	2.42	2350	725	325	1000	460	200	1390	1150	900	2530	225	3960	550	1425
	30	140	DN125	22654	23292	73															
	40	160	DN150	22655	20897	97															
2500	20	125	DN110	24845	25019	53	2.65	2580	725	325	1120	500	200	1390	1250	900	2750	225	4320	700	1750
	30	140	DN125	24846	25020	79															
	40	160	DN150	24847	25021	106															
2700	20	125	DN110	22656	22690	57	2.87	2800	725	325	1240	540	200	1390	1350	900	2950	225	4690	825	2075
	30	140	DN125	22657	22691	86															
	40	160	DN150	22658	20898	115															
3000	20	125	DN110	22659	22692	64	3.21	3140	725	325	1420	600	200	1390	1500	900	3250	225	5240	925	2325
	30	140	DN125	22660	22693	96															
	40	160	DN150	22661	20899	129															