

FILTRATION

Rodas Filters 1800mm (Sand Bed Depth: 1.0m)

Description:

Fibreglass horizontal commercial sand filters 1800 mm diameter. Maximum operating temperature 50°C. Tested at 1.5 times maximum operating pressure. Equipped with pressure gauge panel, manual air, water purge and 400mm loading access. Internal components and pipe in PVC. Laterals 0.3 mm slots in PP. Bolts, nuts and washers in AISI-316. EPDM seals and gaskets.

Options:

Options for side opening placement. Vinylster internal lining for ozone treated pools. Sightglass 135mm and 400mm side manhole.

Ordering:

Refer to Options Page for options codes and pricing.

Warranty guide :

2 year full plus 8 year pro rate warranty on filter tank and 1 year full warranty on internal components, gauges, valve. Refer to instructions and website for full warranty details

*EUROPEAN PIPE CONNECTIONS



Tanks - Maximum working pressure: 250 kPa (2.5 bar) - Test pressure 375 kPa

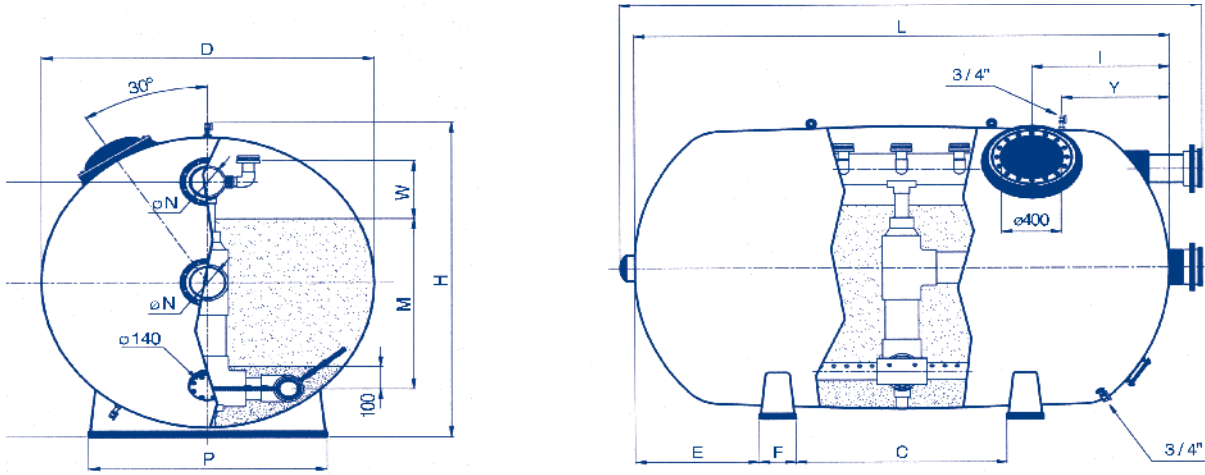
Model	Product Code	Velocity m3/h/m2	Flow Rate m3/hr	Connections
Rodas Filter Ø 1.800 - length 2,500	24875	20	75	125mm*
Rodas Filter Ø 1.800 - length 2,500	24876	30	112	150mm
Rodas Filter Ø 1.800 - length 2,500	24877	40	150	200mm*
Rodas Filter Ø 1.800 - length 3,000	24881	20	92	140mm*
Rodas Filter Ø 1.800 - length 3,000	24882	30	137	150mm
Rodas Filter Ø 1.800 - length 3,000	24883	40	183	200mm*
Rodas Filter Ø 1.800 - length 3,500	24887	20	108	140mm*
Rodas Filter Ø 1.800 - length 3,500	24888	30	162	200mm*
Rodas Filter Ø 1.800 - length 3,500	24889	40	216	225mm
Rodas Filter Ø 1.800 - length 4,000	24893	20	125	150mm
Rodas Filter Ø 1.800 - length 4,000	24894	30	187	200mm*
Rodas Filter Ø 1.800 - length 4,000	24895	40	250	225mm

Tanks - Maximum working pressure: 400 kPa (4.0 bar) - Test pressure 600 kPa

Model	Product Code	Velocity m3/h/m2	Flow Rate m3/hr	Connections
Rodas Filter Ø 1.800 - length 2,500	25049	20	75	125mm*
Rodas Filter Ø 1.800 - length 2,500	25050	30	112	150mm
Rodas Filter Ø 1.800 - length 2,500	25051	40	150	200mm*
Rodas Filter Ø 1.800 - length 3,000	25055	20	92	140mm*
Rodas Filter Ø 1.800 - length 3,000	25056	30	137	150mm
Rodas Filter Ø 1.800 - length 3,000	25057	40	183	200mm*
Rodas Filter Ø 1.800 - length 3,500	25061	20	108	140mm*
Rodas Filter Ø 1.800 - length 3,500	25062	30	162	200mm*
Rodas Filter Ø 1.800 - length 3,500	25063	40	216	225mm
Rodas Filter Ø 1.800 - length 4,000	25067	20	125	150mm
Rodas Filter Ø 1.800 - length 4,000	25068	30	187	200mm*
Rodas Filter Ø 1.800 - length 4,000	25069	40	250	225mm

FILTRATION

Rodas Filter 1400mm, 1600 & 1800mm



Length (mm)	Filtration Veloc - ity (m ³ /h/ m ³)	Ø N (mm)	2.5 bar 4 bar	Flow m ³ /h	Filtra - tion area m ²	Vol (l)	A (mm)	B (mm)	C (mm)	E (mm)	F (mm)	H (mm)	I (mm)	P (mm)	T (mm)	W (mm)	Y (mm)	Total Ser - vice weight kg	Sand Charge Kg			
Diameter 1400mm - Height of filter bed 0.8m																			1-1.2mm	0.4-0.8mm		
1900	20	110	DN100	24848	25022	45	2.23	2530	810	390	720	380	210	1600	890	1080	2160	220	1380	4250	575	2100
	30	125	DN110	24849	2503	67																
	40	140	DN125	24850	25024	89																
2500	20	110	DN100	24854	25023	60	3.02	3460	810	390	1080	500	210	1600	890	1080	2780	220	1380	5740	800	2825
	30	140	DN125	24855	25029	91																
	40	160	DN150	24856	25030	121																
3000	20	125	DN110	24860	25034	73	3.67	4230	810	390	1380	600	210	1600	890	1080	3320	220	1380	6990	1000	3450
	30	160	DN150	24861	25035	110																
	40	200	DN175	24862	25036	147																
Diameter 1600mm - Height of filter bed 1m																						
1900	20	110	DN100	22662	22694	49	2.47	3220	925	475	470	475	240	1830	920	1230	2220	250	1380	5420	600	2850
	30	140	DN125	22663	22695	74																
	40	160	DN150	22664	20900	99																
2500	20	140	DN125	24866	25040	67	3.36	4430	925	475	1020	500	240	1830	920	1230	2820	250	1380	7400	850	3875
	30	160	DN150	24867	25041	101																
	40	200	DN175	24868	25042	134																
3000	20	140	DN125	22671	22700	82	4.1	5430	925	475	1320	600	240	1830	920	1230	3360	250	1380	9020	1050	4750
	30	160	DN150	22672	22701	123																
	40	200	DN175	22673	20903	164																
Diameter 1800 mm - Height of filter bed 1 m																						
2500	20	125	DN110	24875	25049	75	3.74	5530	1040	550	1020	380	270	2050	920	1380	2820	350	1380	9170	975	4850
	30	160	DN150	24876	25050	112																
	40	200	DN175	24877	25051	150																
3000	20	140	DN125	24881	25055	92	4.58	6800	1040	550	1320	460	270	2050	920	1380	3320	350	1380	11230	1225	5925
	30	160	DN150	24882	25056	137																
	40	200	DN175	24883	25057	183																
3500	20	140	DN125	24887	25061	108	5.41	8070	1040	550	1620	550	270	2050	920	1380	3850	350	1380	13290	1475	7000
	30	200	DN175	24888	25062	162																
	40	225	DN200	24889	25063	216																
4000	20	160	DN150	24893	25067	125	6.25	9340	1040	550	1920	540	270	2050	920	1380	4350	350	1380	15350	1700	8075
	30	200	DN175	24894	25068	187																
	40	225	DN200	24895	25069	250																