

## FILTRATION

### Rodas Filters 2000mm (Sand Bed Depth: 1.0m)

#### Description:

Fibreglass horizontal commercial sand filters 2000 mm diameter. Maximum operating temperature 50°C. Tested at 1.5 times maximum operating pressure. Equipped with pressure gauge panel, manual air, water purge and 400mm loading access. Internal components and pipe in PVC. Laterals 0.3 mm slots in PP. Bolts, nuts and washers in AISI-316. EPDM seals and gaskets.

#### Options:

Options for side opening placement. Vinyl ester internal lining for ozone treated pools. Sightglass 135mm and 400mm side manhole.

#### Ordering:

Refer to Options Page for options codes and pricing.

#### Warranty guide:

2 year full plus 8 year pro rate warranty on filter tank and 1 year full warranty on internal components, gauges, valve. Refer to instructions and website for full warranty details.

\*EUROPEAN PIPE CONNECTIONS



### Rainbow Pool Products

PO Box 2388, Mansfield Qld 4122

Telephone STD 61-7-3849 5385

Facsimile STD 61-7-3849 5384

Email: [info@rainbowpoolproducts.com.au](mailto:info@rainbowpoolproducts.com.au)

Web: [www.rainbowpoolproducts.com.au](http://www.rainbowpoolproducts.com.au)



### Tanks - Maximum working pressure: 250 kPa (2.5 bar) - Test pressure 375 kPa

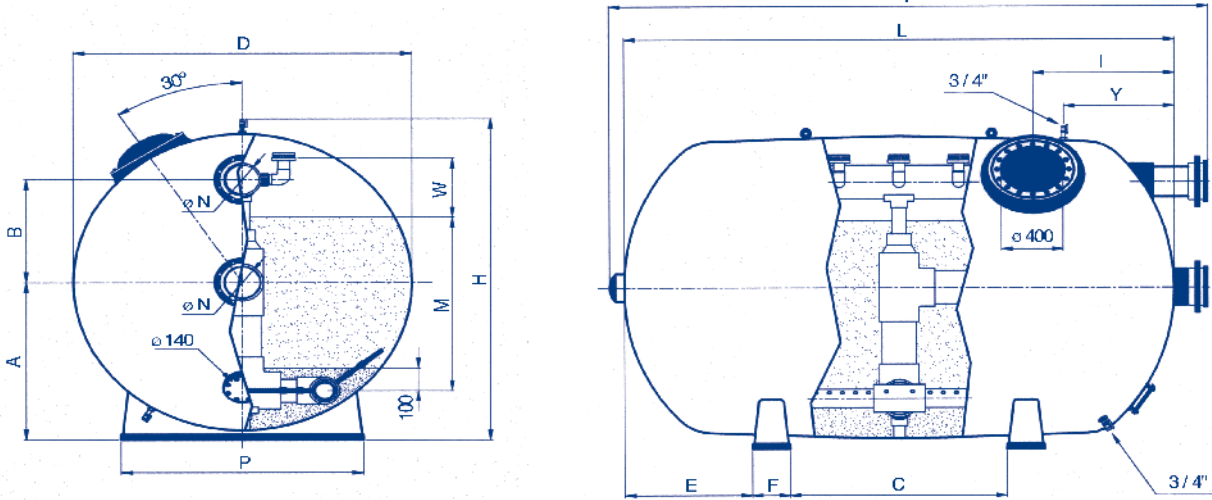
Model	Product Code	Velocity m <sup>3</sup> /h/m <sup>2</sup>	Flow Rate m <sup>3</sup> /hr	Connections
Rodas Filter Ø 2.000 - length 2,500	05103	20	87	140mm*
Rodas Filter Ø 2.000 - length 2,500	05106	30	130	150mm
Rodas Filter Ø 2.000 - length 2,500	05109	40	174	200mm*
Rodas Filter Ø 2.000 - length 3,000	24899	20	106	140mm*
Rodas Filter Ø 2.000 - length 3,000	24900	30	159	150mm
Rodas Filter Ø 2.000 - length 3,000	24901	40	212	200mm*
Rodas Filter Ø 2.000 - length 3,500	05104	20	125	150mm
Rodas Filter Ø 2.000 - length 3,500	05107	30	187	200mm*
Rodas Filter Ø 2.000 - length 3,500	05110	40	250	200mm
Rodas Filter Ø 2.000 - length 4,000	24908	20	144	150mm
Rodas Filter Ø 2.000 - length 4,000	24909	30	216	200mm*
Rodas Filter Ø 2.000 - length 4,000	24910	40	288	200mm
Rodas Filter Ø 2.000 - length 4,500	24914	20	163	200mm*
Rodas Filter Ø 2.000 - length 4,500	24915	30	245	200mm
Rodas Filter Ø 2.000 - length 4,500	24916	40	326	250mm

### Tanks - Maximum working pressure: 400 kPa (4.0 bar) - Test pressure 600 kPa

Model	Product Code	Velocity m <sup>3</sup> /h/m <sup>2</sup>	Flow Rate m <sup>3</sup> /hr	Connections
Rodas Filter Ø 2.000 - length 2,500	07127	20	87	140mm*
Rodas Filter Ø 2.000 - length 2,500	07128	30	130	150mm
Rodas Filter Ø 2.000 - length 2,500	07129	40	174	200mm*
Rodas Filter Ø 2.000 - length 3,000	25073	20	106	140mm*
Rodas Filter Ø 2.000 - length 3,000	25074	30	159	150mm
Rodas Filter Ø 2.000 - length 3,000	25075	40	212	200mm*
Rodas Filter Ø 2.000 - length 3,500	07130	20	125	150mm
Rodas Filter Ø 2.000 - length 3,500	07131	30	187	200mm*
Rodas Filter Ø 2.000 - length 3,500	07132	40	250	200mm
Rodas Filter Ø 2.000 - length 4,000	25082	20	144	150mm
Rodas Filter Ø 2.000 - length 4,000	25083	30	216	200mm*
Rodas Filter Ø 2.000 - length 4,000	25084	40	288	200mm
Rodas Filter Ø 2.000 - length 4,500	25088	20	163	200mm*
Rodas Filter Ø 2.000 - length 4,500	25089	30	245	200mm
Rodas Filter Ø 2.000 - length 4,500	25090	40	326	250mm

# FILTRATION

## Rodas Filters 2000mm & 2350mm



Length (mm)	Filtration Velocity (m <sup>3</sup> /h/m <sup>3</sup> )	Ø N (mm)	2.5 bar 4 bar	Flow m <sup>3</sup> /h	Filtration area m <sup>2</sup>	Vol (l)	A (mm)	B (mm)	C (mm)	E (mm)	F (mm)	H (mm)	I (mm)	P (mm)	T (mm)	W (mm)	Y (mm)	Total Service weight kg	Sand Charge Kg			
Diameter 2000mm - Height of filter bed 1.2m																			1-1.2mm	0.4-0.8mm		
2500	20	140	DN125	05103	07127	87	4.34	6900	1090	710	1020	500	240	2220	1300	1470	2820	410	1250	11300	1050	6575
	30	160	DN150	05106	07128	130															M=1.2m	M=1.2m
	40	200	DN175	05109	07129	174																
3000	20	140	DN125	24899	25073	106	5.3	8470	1090	710	1320	600	240	2220	1300	1470	3320	410	1500	13790	1300	8025
	30	160	DN150	24900	25074	159															M=1.2m	M=1.2m
	40	200	DN175	24901	25075	212																
3500	20	160	DN150	05104	07130	125	6.25	10040	1090	710	1620	700	240	2220	1300	1470	3850	410	1750	16280	1550	9475
	30	200	DN175	05107	07131	187															M=1.2m	M=1.2m
	40	225	DN200	05110	07132	250																
4000	20	160	DN150	24908	25082	144	7.21	11600	1090	710	1920	800	240	2220	1300	1470	4350	410	2000	18780	1800	12375
	30	200	DN175	24909	25083	216															M=1.2	M=1.2m
	40	225	DN200	24910	25084	288																
4500	20	200	DN175	24914	25088	163	8.16	13180	1090	710	2220	900	240	2220	1300	1470	4880	410	2250	21380	2075	12375
	30	225	DN200	24915	25089	245															M=1.2m	M=1.2m
	40	250	DN225	24916	25090	326																
Diameter 2350 mm - Height of filter bed 1.2 m																						
3000	20	160	DN150	24917	25091	119	5.94	11130	1270	710	1020	750	240	2560	1300	1740	3350	500	1500	18300	2575	9300
	30	200	DN175	24918	25092	178															M=1.2m	M=1.2m
	40	225	DN200	24919	25093	238																
3500	20	160	DN150	17120	22702	141	7.06	13300	1270	710	1480	770	240	2560	1300	1740	3850	500	1750	21790	3125	11050
	30	200	DN175	16696	22703	212															M=1.2m	M=1.2m
	40	225	DN200	17121	22704	282																
4000	20	200	DN175	24926	25100	163	8.17	15470	1270	710	1920	800	240	2560	1300	1740	4380	500	2000	25280	3650	12800
	30	225	DN200	24927	25101	245															M=1.2m	M=1.2m
	40	250	DN225	24928	25102	327																
4500	20	200	DN175	22674	22705	186	9.28	17640	1270	710	2220	900	240	2560	1300	1740	4880	500	2250	28880	4200	14525
	30	225	DN200	22675	22706	279															M=1.2m	M=1.2m
	40	250	DN225	22676	22707	371																
5000	20	200	DN175	24935	25109	208	10.4	19800	1270	710	2520	1000	240	2560	1300	1740	5440	500	2500	32380	4750	16250
	30	250	DN225	24936	25110	312															M=1.2m	M=1.2m
	40	315	DN250	34937	25111	416																