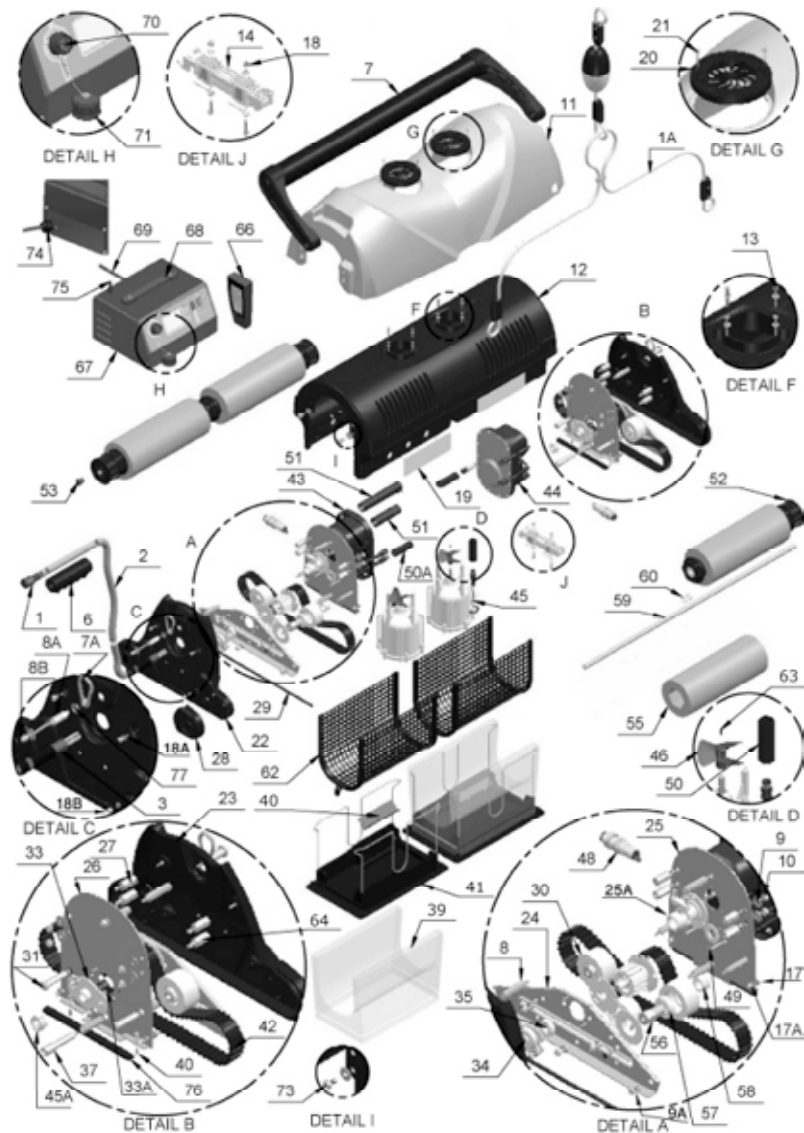


# TYPHOON MAX

Key	Description	Product Code	Qty Required
1	5 PIN PLUG - MAX	62112	1
2	CABLE ASSY - MAX	62114	1
4	SEALING GROMMET	62002	1
6	SWIVEL - MAX	62115	1
7	HANDLE ASSY - MAX	62116	1
8	AXLE ASSY FOR HANDLE	62118	2
9	PLAIN WASHER M6	62049	20
11	SHELL SILVER - MAX	62119	1
12	BODY ASSY - MAX	62120	1
14	FILTER HOUSING LATCH - MAX	62121	1
18	HEX NUT LOCK M4 S/S	62010	21
19	RUBBER VALVE - MAX	62122	4
20	OUTLET TOP - MAX	62123	2
21	SCREW #6 32*5/8" S/S	62009	4
22	S/A SIDE PLATE WITH HOLE - MAX	62124	1
23	S/A SIDE PLATE WITH BUMPER - MAX	62125	1
24	S/S SIDE PLATE - MAX	62126	2



# TYPHOON MAX

Key	Description	Product Code	Qty Required
25	S/S SIDE PLATE - MAX	62127	1
26	S/S SIDE PLATE TOP - MAX	62129	1
27	HEX SPACER FOR BODY - MAX	62130	4
28	BUMPER FOR SIDE PLATE - MAX	62131	8
29	RUBBER PROFILE - MAX	62132	1mt
30	TENSION WHEEL - MAX	62133	4
31	AXLE FOR TENSION WHEEL - MAX	62134	4
33	HOLDER FOR UMX PULLEY	62135	2
34	CAP BEARING FOR PULLEY	62136	2
35	PLASTIC BEARING	62137	2
36	PULLEY ASSY FOR UMX	62138	2
37	AXEL FOR SLEEVE ROLLER	62139	2
38	TENSION WHEEL MIDDLE	62140	2
39	FILTER BAG	62038	1
40	BOTTOM LID NATURAL	62040	2
41	S/A BOTTOM LID ASSY	62141	1
42	DRIVE BELT BLUE - PRO	62089	2
43	DRIVE MOTOR - MAX	62142	1
44	SLAVE MOTOR - MAX	62143	1
48	INFRA RED SENSOR - PRO	62090	2
51	SHRINK TUBE 20/6	62047	1mt
52	WHEEL TUBE - MAX	62144	4
55	PVA BRUSH - MAX	62145	4
56	EXCENTER - MAX	62146	1
57	RADIAL BEARING - MAX	62147	1
59	AXEL FOR WHEEL TUBE - MAX	62148	2
60	SPACER FOR WHEET TUBE - MAX	62149	6
62	FILTER SCREEN - MAX	62150	2
66	REMOTE CONTROL	62105	1
64	HEX SPACER FOR BODY - MAX	62151	4
67	POWER SUPPLY - MAX	62152	1
68	PLASTIC HANDLE	62107	1
69	POWER CORD	62108	1
70	SOCKET 5 PIN FEMALE	62155	1
71	CAP WITH CHAIN	62109	1
75	S/S ANTENA FOR PSU	62110	1
76	RULER - MAX	62153	2
17A	SCREW M4 X 16 S/S	62032	10
1A	ROPE ASSY - MAX	62113	1
25A	GLAND FOR CABLE - MAX	62128	1
45A	CASE FOR PIN	62029	2
50A	SHRINK TUBE 16/5	62111	1mt
7A	SNAP HOOK S/S	62117	2



## Rainbow Pool Products

PO Box 2388, Mansfield Qld 4122

Telephone STD 61-7-3849 5385

Facsimile STD 61-7-3849 5384

Email: [info@rainbowpoolproducts.com.au](mailto:info@rainbowpoolproducts.com.au)

Web: [www.rainbowpoolproducts.com.au](http://www.rainbowpoolproducts.com.au)