



## RODAS FILTER 2000mm



### Description

Rodas Filter 2000mm  
(Sand bed depth: 1.0m)

***2 Year (plus 8 year pro-rate) Warranty on tank,  
1 Year Warranty on internals, gauges, valves***

Tanks – Maximum working pressure: 250 kPa (2.5 bar) – Test pressure 375 kPa

Tanks – Maximum working pressure: 400 kPa (4.0 bar) – Test pressure 600 kPa

# SPECIFICATIONS

## Rodas Filter 2000mm

### Description:

Fibreglass horizontal commercial sand filters 2000 mm diameter. Maximum operating temperature 50°C. Tested at 1.5 times maximum operating pressure. Equipped with pressure gauge panel, manual air, water purge and 400mm loading access. Internal components and pipe in PVC. Laterals 0.3 mm slots in PP. Bolts, nuts and washers in AISI-316. EPDM seals and gaskets.

### Options:

Options for side opening placement. Vinylester internal lining for ozone treated pools. Sightglass 135mm and 400mm side manhole.

### Ordering:

Refer to Options Page for options codes and pricing.

### Warranty guide:

2 year full plus 8 year pro rate warranty on filter tank and 1 year full warranty on internal components, gauges, valve. Refer to instructions for full warranty details

**Tanks - Maximum working pressure: 250 kPa (2.5 bar) - Test pressure 375 kPa**

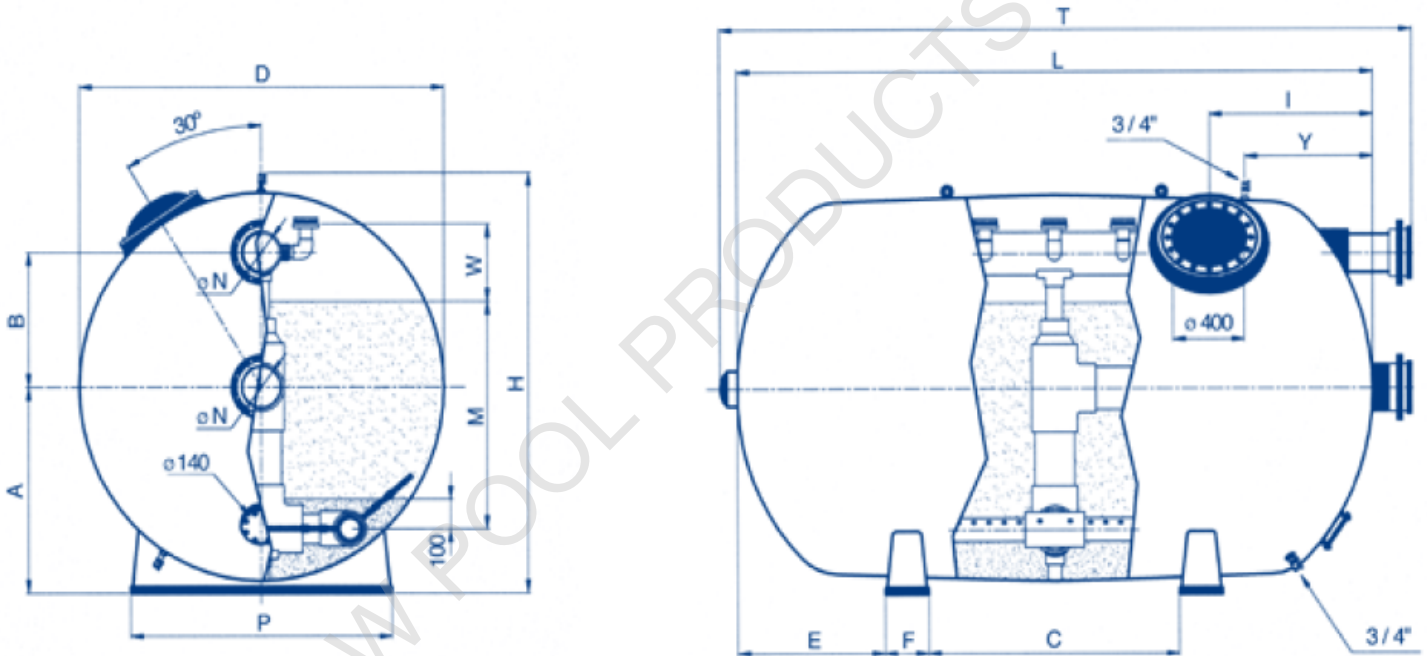
|                                     | Product Code | Velocity m3/h/m2 | Flow Rate m3/hr | Connections |
|-------------------------------------|--------------|------------------|-----------------|-------------|
| Rodas filter Ø 2.000 - length 2.500 | 05103        | 20               | 87              | 140 mm*     |
| Rodas filter Ø 2.000 - length 2.500 | 05106        | 30               | 130             | 150 mm      |
| Rodas filter Ø 2.000 - length 2.500 | 05109        | 40               | 174             | 200 mm*     |
| Rodas filter Ø 2.000 - length 3.000 | 24899        | 20               | 106             | 140 mm*     |
| Rodas filter Ø 2.000 - length 3.000 | 24900        | 30               | 159             | 150 mm      |
| Rodas filter Ø 2.000 - length 3.000 | 24901        | 40               | 212             | 200 mm*     |
| Rodas filter Ø 2.000 - length 3.500 | 05104        | 20               | 125             | 150 mm      |
| Rodas filter Ø 2.000 - length 3.500 | 05107        | 30               | 187             | 200 mm*     |
| Rodas filter Ø 2.000 - length 3.500 | 05110        | 40               | 250             | 200 mm      |
| Rodas filter Ø 2.000 - length 4.000 | 24908        | 20               | 144             | 150 mm      |
| Rodas filter Ø 2.000 - length 4.000 | 24909        | 30               | 216             | 200 mm*     |
| Rodas filter Ø 2.000 - length 4.000 | 24910        | 40               | 288             | 200 mm      |
| Rodas filter Ø 2.000 - length 4.500 | 24914        | 20               | 163             | 200 mm*     |
| Rodas filter Ø 2.000 - length 4.500 | 24915        | 30               | 245             | 200 mm      |
| Rodas filter Ø 2.000 - length 4.500 | 24916        | 40               | 326             | 250 mm      |

# Tanks - Maximum working pressure: 400 kPa (4.0 bar) - Test pressure 600 kPa

| Product Code | Velocity m <sup>3</sup> /h/m <sup>2</sup> | Flow Rate m <sup>3</sup> /hr | Connections |
|--------------|---|------------------------------|-------------|
|--------------|---|------------------------------|-------------|

|                                     |              |    |     |         |
|-------------------------------------|--------------|----|-----|---------|
| Rodas filter Ø 2.000 - length 2.500 | <b>07127</b> | 20 | 87  | 140 mm* |
| Rodas filter Ø 2.000 - length 2.500 | <b>07128</b> | 30 | 130 | 150 mm  |
| Rodas filter Ø 2.000 - length 2.500 | <b>07129</b> | 40 | 174 | 200 mm* |
| Rodas filter Ø 2.000 - length 3.000 | <b>25073</b> | 20 | 106 | 140 mm* |
| Rodas filter Ø 2.000 - length 3.000 | <b>25074</b> | 30 | 159 | 150 mm  |
| Rodas filter Ø 2.000 - length 3.000 | <b>25075</b> | 40 | 212 | 200 mm* |
| Rodas filter Ø 2.000 - length 3.500 | <b>07130</b> | 20 | 125 | 150 mm  |
| Rodas filter Ø 2.000 - length 3.500 | <b>07131</b> | 30 | 187 | 200 mm* |
| Rodas filter Ø 2.000 - length 3.500 | <b>07132</b> | 40 | 250 | 200 mm  |
| Rodas filter Ø 2.000 - length 4.000 | <b>25082</b> | 20 | 144 | 150 mm  |
| Rodas filter Ø 2.000 - length 4.000 | <b>25083</b> | 30 | 216 | 200 mm* |
| Rodas filter Ø 2.000 - length 4.000 | <b>25084</b> | 40 | 288 | 200 mm  |
| Rodas filter Ø 2.000 - length 4.500 | <b>25088</b> | 20 | 163 | 200 mm* |
| Rodas filter Ø 2.000 - length 4.500 | <b>25089</b> | 30 | 245 | 200 mm  |
| Rodas filter Ø 2.000 - length 4.500 | <b>25090</b> | 40 | 326 | 250 mm  |

\* European Pipe Connections



| Length (mm)                                      | Filtration velocity (m <sup>3</sup> /h/m <sup>2</sup> ) |     | Ø N (mm) |       | 2.5 bar |      | 4 bar |       | Flow m <sup>3</sup> /h | Filtration area m <sup>2</sup> | Vol. (l) | A (mm) | B (mm) | C (mm) | E (mm) | F (mm) | H (mm) | I (mm) | P (mm) | T (mm) | W (mm) | Y (mm) | Service total weight Kg. | Sand charge Kg. |             |
|--|---|-----|----------|-------|---------|------|-------|-------|------------------------|--------------------------------|----------|--------|--------|--------|--------|--------|--------|--------|--------|--------|--------|--------|--------------------------|-----------------|-------------|
|  |   |     |          |       | Code    | Code | Code  | Code  |                        |                                |          |        |        |        |        |        |        |        |        |        |        |        |                          | 1 - 1.2 m       | 0.4 - 0.8 m |
| Diameter 2000 mm - Height of filter bed 1/1.2 m. |   |     |          |       |         |      |       |       |                        |                                |          |        |        |        |        |        |        |        |        |        |        |        |                          |                 |             |
| 2500   | 20  | 140 | DN125    | 05103 | 07127   | 87   | 4.34  | 6900  | 1090                   | 710                            | 1020     | 500    | 240    | 2220   | 1300   | 1470   | 2820   | 410    | 1250   | 11300  | 1050   | 6575   | M=1.2 m                  | M=1.2 m         |             |
|  | 30  | 160 | DN150    | 05106 | 07128   | 130  |       |       |                        |                                |          |        |        |        |        |        |        |        |        |        |        |        |                          |                 |             |
|  | 40  | 200 | DN175    | 05109 | 07129   | 174  |       |       |                        |                                |          |        |        |        |        |        |        |        |        |        |        |        |                          |                 |             |
| 3000   | 20  | 140 | DN125    | 24899 | 25073   | 106  | 5.3   | 8470  | 1090                   | 710                            | 1320     | 600    | 240    | 2220   | 1300   | 1470   | 3320   | 410    | 1500   | 13790  | 1300   | 8025   | M=1.2 m                  | M=1.2 m         |             |
|  | 30  | 160 | DN150    | 24900 | 25074   | 159  |       |       |                        |                                |          |        |        |        |        |        |        |        |        |        |        |        |                          |                 |             |
|  | 40  | 200 | DN175    | 24901 | 25075   | 212  |       |       |                        |                                |          |        |        |        |        |        |        |        |        |        |        |        |                          |                 |             |
| 3500   | 20  | 160 | DN150    | 05104 | 07130   | 125  | 6.25  | 10040 | 1090                   | 710                            | 1620     | 700    | 240    | 2220   | 1300   | 1470   | 3850   | 410    | 1750   | 16280  | 1550   | 9475   | M=1.2 m                  | M=1.2 m         |             |
|  | 30  | 200 | DN175    | 05107 | 07131   | 187  |       |       |                        |                                |          |        |        |        |        |        |        |        |        |        |        |        |                          |                 |             |
|  | 40  | 225 | DN200    | 05110 | 07132   | 250  |       |       |                        |                                |          |        |        |        |        |        |        |        |        |        |        |        |                          |                 |             |
| 4000   | 20  | 160 | DN150    | 24908 | 25082   | 144  | 7.21  | 11600 | 1090                   | 710                            | 1920     | 800    | 240    | 2220   | 1300   | 1470   | 4350   | 410    | 2000   | 18780  | 1800   | 10925  | M=1.2 m                  | M=1.2 m         |             |
|  | 30  | 200 | DN175    | 24909 | 25083   | 216  |       |       |                        |                                |          |        |        |        |        |        |        |        |        |        |        |        |                          |                 |             |
|  | 40  | 225 | DN200    | 24910 | 25084   | 288  |       |       |                        |                                |          |        |        |        |        |        |        |        |        |        |        |        |                          |                 |             |
| 4500   | 20  | 200 | DN175    | 24914 | 25088   | 163  | 8.16  | 13180 | 1090                   | 710                            | 2220     | 900    | 240    | 2220   | 1300   | 1470   | 4880   | 410    | 2250   | 21380  | 2075   | 12375  | M=1.2 m                  | M=1.2 m         |             |
|  | 30  | 225 | DN200    | 24915 | 25089   | 245  |       |       |                        |                                |          |        |        |        |        |        |        |        |        |        |        |        |                          |                 |             |
|  | 40  | 250 | DN225    | 24916 | 25090   | 326  |       |       |                        |                                |          |        |        |        |        |        |        |        |        |        |        |        |                          |                 |             |