



## RODAS FILTER 2350mm



### Description

Rodas Filter 2350mm  
(Sand bed depth: 1.2m)

***2 Year (plus 8 year pro-rate) Warranty on tank,  
1 Year Warranty on internals, gauges, valves***

Tanks – Maximum working pressure: 250 kPa (2.5 bar) – Test pressure 375 kPa

Tanks – Maximum working pressure: 400 kPa (4.0 bar) – Test pressure 600 kPa

# SPECIFICATIONS

## Rodas Filter 2350mm

### Description:

Fibreglass horizontal commercial sand filters 2350 mm diameter. Maximum operating temperature 50°C. Tested at 1.5 times maximum operating pressure. Equipped with pressure gauge panel, manual air, water purge and 400mm loading access. Internal components and pipe in PVC. Laterals 0.3 mm slots in PP. Bolts, nuts and washers in AISI-316. EPDM seals and gaskets.

### Options:

Options for side opening placement. Vinylester internal lining for ozone treated pools. Sightglass 135mm and 400mm side manhole.

### Ordering:

Refer to Options Page for options codes and pricing.

### Warranty guide:

2 year full plus 8 year pro rate warranty on filter tank and 1 year full warranty on internal components, gauges, valve. Refer to instructions for full warranty details

**Tanks - Maximum working pressure: 250 kPa (2.5 bar) - Test pressure 375 kPa**

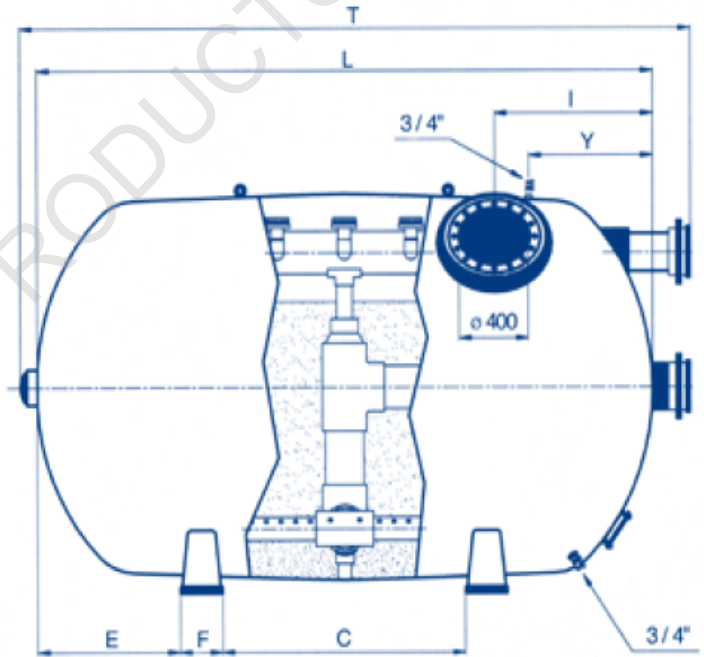
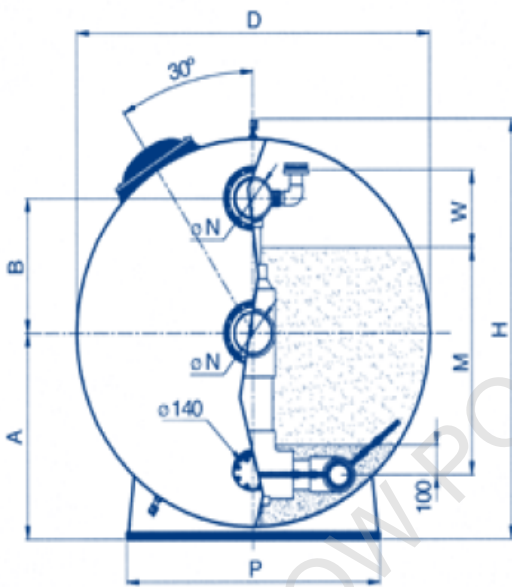
	Product Code	Velocity m3/h/m2	Flow Rate m3/hr	Connections
Rodas filter Ø 2.350 - length 3.000	<b>24917</b>	20	119	150 mm
Rodas filter Ø 2.350 - length 3.000	<b>24918</b>	30	178	200 mm*
Rodas filter Ø 2.350 - length 3.000	<b>24919</b>	40	238	200 mm
Rodas filter Ø 2.350 - length 3.500	<b>17120</b>	20	141	150 mm
Rodas filter Ø 2.350 - length 3.500	<b>16696</b>	30	212	200 mm*
Rodas filter Ø 2.350 - length 3.500	<b>17121</b>	40	282	200 mm
Rodas filter Ø 2.350 - length 4.000	<b>24926</b>	20	163	200 mm*
Rodas filter Ø 2.350 - length 4.000	<b>24927</b>	30	245	200 mm
Rodas filter Ø 2.350 - length 4.000	<b>24928</b>	40	327	250 mm
Rodas filter Ø 2.350 - length 4.500	<b>22674</b>	20	186	200 mm*
Rodas filter Ø 2.350 - length 4.500	<b>22675</b>	30	279	200 mm
Rodas filter Ø 2.350 - length 4.500	<b>22676</b>	40	371	250 mm
Rodas filter Ø 2.350 - length 5.000	<b>24935</b>	20	208	200 mm*
Rodas filter Ø 2.350 - length 5.000	<b>24936</b>	30	312	200 mm
Rodas filter Ø 2.350 - length 5.000	<b>24937</b>	40	416	250 mm

# Tanks - Maximum working pressure: 400 kPa (4.0 bar) - Test pressure 600 kPa

Product Code	Velocity m <sup>3</sup> /h/m <sup>2</sup>	Flow Rate m <sup>3</sup> /hr	Connections
--------------	---	------------------------------	-------------

Rodas filter Ø 2.350 - length 3.000	<b>25091</b>	20	119	150 mm
Rodas filter Ø 2.350 - length 3.000	<b>25092</b>	30	178	200 mm*
Rodas filter Ø 2.350 - length 3.000	<b>25093</b>	40	238	200 mm
Rodas filter Ø 2.350 - length 3.500	<b>22702</b>	20	141	150 mm
Rodas filter Ø 2.350 - length 3.500	<b>22703</b>	30	212	200 mm*
Rodas filter Ø 2.350 - length 3.500	<b>22704</b>	40	282	200 mm
Rodas filter Ø 2.350 - length 4.000	<b>25100</b>	20	163	200 mm*
Rodas filter Ø 2.350 - length 4.000	<b>25101</b>	30	245	200 mm
Rodas filter Ø 2.350 - length 4.000	<b>25102</b>	40	327	250 mm
Rodas filter Ø 2.350 - length 4.500	<b>22705</b>	20	186	200 mm*
Rodas filter Ø 2.350 - length 4.500	<b>22706</b>	30	279	200 mm
Rodas filter Ø 2.350 - length 4.500	<b>22707</b>	40	371	250 mm
Rodas filter Ø 2.350 - length 5.000	<b>25109</b>	20	208	200 mm*
Rodas filter Ø 2.350 - length 5.000	<b>25110</b>	30	312	200 mm
Rodas filter Ø 2.350 - length 5.000	<b>25111</b>	40	416	250 mm

\* European Pipe Connections



Length (mm)	Filtration velocity (m <sup>3</sup> /h/m <sup>2</sup> )	Ø N (mm)	2.5 bar		4 bar		Flow m <sup>3</sup> /h	Filtration area m <sup>2</sup> .	Vol. (l)	A (mm)	B (mm)	C (mm)	E (mm)	F (mm)	H (mm)	I (mm)	P (mm)	T (mm)	W (mm)	Y (mm)	Service total weight Kg.	Sand charge Kg.	
			Code	Code	1 - 1.2 mm	0.4 - 0.8 mm																	
Diameter 2350 mm - Height of filter bed 1/1.2 m.																							
3000	20	160	DN150	24917	25091	119	5.94	11130	1270	710	1020	750	240	2560	1300	1740	3350	500	1500	18300	2575	9300	
	30	200	DN175	24918	25092	178																	
	40	225	DN200	24919	25093	238																	
3500	20	160	DN150	17120	22702	141	7.06	13300	1270	710	1480	770	240	2560	1300	1740	3850	500	1750	21790	3125	11050	
	30	200	DN175	16696	22703	212																	
	40	225	DN200	17121	22704	282																	
4000	20	200	DN175	24926	25100	163	8.17	15470	1270	710	1920	800	240	2560	1300	1740	4380	500	2000	25280	3650	12800	
	30	225	DN200	24927	25101	245																	
	40	250	DN225	24928	25102	327																	
4500	20	200	DN175	22674	22705	186	9.28	17640	1270	710	2220	900	240	2560	1300	1740	4880	500	2250	28880	4200	14525	
	30	225	DN200	22675	22706	279																	
	40	250	DN225	22676	22707	371																	
5000	20	200	DN175	24935	25109	208	10.4	19800	1270	710	2520	1000	240	2560	1300	1740	5440	500	2500	32380	4750	16250	
	30	250	DN225	24936	25110	312																	
	40	315	DN250	24937	25111	416																	