

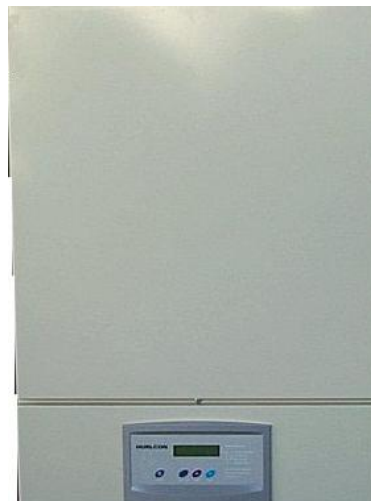
ASTRALPOOL 

JX Series Pool & Spa Heater Genus IV

INSTALLATION AND OPERATING INSTRUCTIONS



Outdoor Unit



Indoor Unit



Rainbow Pool Products

PO Box 2388, Mansfield Qld 4122

Telephone STD 61-7-3849 5385

Facsimile STD 61-7-3849 5384

Email: info@rainbowpoolproducts.com.au

Web: www.rainbowpoolproducts.com.au

INDEX

Introduction

Introduction	3
Notice to Installers	3
Safety Rules.....	3

Operation

Lighting Instructions.....	4
Operating Instructions	4
Turning Gas Off.....	4
Chemical Balance	4
Corrosion Prevention in Heaters.....	5
Digital Thermostat Operation	6
Fault Indication	7

Maintenance

Maintenance Instructions.....	8
Energy saving Tips	8
Winter Operation	8

Installation

Installation Instructions.....	9
Flow Rates	9
Water Connections	9
Plumbing Diagram	9
Heater Dimensions	10
Indoor Installation.....	10
Ventilation (Outdoor Units)	10
Clearances	10
Electrical Connection.....	10
Flue Installation	11
Gas Connection.....	12
Pressure Switch Adjustment.....	12
.....	13
Starting the Heater.....	13
Testing Burner Pressure	14

Gas Conversion

Burner Conversion.....	15
------------------------	----

Troubleshooting

Fault Finding and Remedies.....	16
---------------------------------	----

Wiring diagram

JX Series Wiring Diagram.....	17
-------------------------------	----

Warranty

Terms and Conditions	18
----------------------------	----

INTRODUCTION

Congratulations on your purchase of a Hurlcon JX Series Pool and Spa Heater. Proper installation and service of your new heating system and correct chemical maintenance of the water will ensure years of enjoyment. The JX Series Heater is a compact lightweight and efficient gas fired pool and spa heater. It is equipped with features that take advantage of new technology developed exclusively by Hurlcon.

The Hurlcon Pool Heater can safely be connected to PVC pipe and has an induced draft fan assisted flue for high efficiency. It accepts high flow rates which help the heater run cooler, giving greater performance and longer life. In addition, the Hurlcon Pool Heater is equipped with electronic start up and an accurate electronic thermostat to ensure ease of use and accurate temperature control. The electronic display tells at a glance the operational status of the heater and it is Genus IV Controller compatible.

The JX indoor pool and spa heater uses a co axial flue system avoiding the need for room ventilation. The heater must be installed with the approved flue system supplied with the heater.

Note:

The appliance is not intended for use by young children or infirm person without supervision. Please ensure that young children are supervised to ensure that they do not play with the appliance.

NOTICE TO INSTALLERS

This appliance must be installed by an authorized person.

This appliance must be installed in accordance with the installation instructions, local gas fitting regulations, the AGA Installation Code AS5601 and any other relevant statutory authorities.

Refer to data plate for details of gas type, gas consumption and burner pressure.

SAFETY RULES

1. Spa or hot tub water temperature should never exceed 40°C.
2. Drinking of alcoholic beverages before or during spa or hot tub use can cause drowsiness which could lead to unconsciousness and subsequently result in drowning.
3. Pregnant women beware! Soaking in water above 38°C can cause foetal damage during the first three months of pregnancy.
4. Before entering the spa or hot tub, the user should check the water temperature with an accurate thermometer, spa or hot tub thermostats may err in regulating water temperatures by as much as 2°C.
5. Persons with a medical history of heart disease, circulatory problems, diabetes or blood pressure problems should obtain their physician's advice before using spas or hot tubs.
6. Persons taking medications which induce drowsiness, such as tranquillisers, antihistamines or anticoagulants, should not use spas or hot tubs.

WARNING: Should overheating occur or the gas supply fail to shut off, turn off the manual gas control valve to the appliance. Do not use this heater if any part has been under water.

LIGHTING INSTRUCTIONS

For your safety – read before lighting

This appliance is equipped with an ignition device which automatically lights the burner. Do not try to light the burner by hand.

This appliance must be tested for correct operation after installation by the installer.

BEFORE OPERATING smell all around the appliance area for gas. Be sure to smell next to the floor because some gas is heavier than air and will settle on the floor.

WHAT TO DO IF YOU SMELL GAS. Do not try to light any appliance. Do not touch any electrical switch. Do not use any telephone in your building. Immediately call your gas supplier from a neighbour's house.

DO NOT PLACE ARTICLES ON OR AGAINST THIS APPLIANCE

DO NOT USE OR STORE FLAMMABLE MATERIALS NEAR THIS APPLIANCE

DO NOT SPRAY AEROSOLS IN THE VICINITY OF THIS APPLIANCE WHILE IT IS IN OPERATION.

OPERATING INSTRUCTIONS

1. STOP! Read the safety information above.
2. Turn off electric power to appliance.
3. This appliance is equipped with an ignition device which automatically lights the burner. Do not try to light the burner by hand.
4. Wait five minutes for gas to clear. If you then smell gas, STOP! Refer to instructions above.
5. Turn filtration pump on.
6. Turn on power to the heater and press the pool/spa button to select pool or spa mode.
7. Set thermostat to desired setting and the ON/OFF switch to turn the heater ON.
8. The heater will ignite in around 20 seconds.
9. If the appliance will not operate, repeat instructions 5 to 7 above. If the appliance still does not ignite, call your service technician.

TO TURN GAS OFF TO APPLIANCE

1. Turn off all electrical power to the appliance.
2. Turn off gas tap in gas line prior to heater.
- 3.

CHEMICAL BALANCE

It is imperative that correct chemical balance be maintained in your pool and spa water, otherwise corrosion of your heater may occur. **Corrosion of the heat exchanger voids warranty.** Your local pool shop specialist or spa retailer can advise correct chemical balance. Your water should be checked and maintained regularly by a pool water professional. As a guide the following parameters may be used.

pH	7.6 to 7.8
Total Alkalinity	80 to 120 ppm
Calcium Hardness	150 to 250 ppm
Salinity	4000ppm max. Excessive salt can damage your heater.

You should test your water chemical balance at least on a weekly basis.

Excessive sanitiser can damage your heater. Chlorine should not exceed 3 ppm and bromine should not exceed 5 ppm. Salt chlorinators, especially when used on spa pools or indoor or covered pools, can easily produce excessive chlorine levels which will damage the heater internals.

CORROSION PREVENTION IN HEATERS

All pool and spa heaters use copper or copper nickel to make their heat exchangers as it is the most efficient material in transferring heat from the combustion chamber into the water. The typical life expectancy of a well maintained pool/spa heater is between 8 and 15 years.

Often the same heat exchanger used in residential and commercial boilers and hot water systems will have a life expectancy of 20 years.

The addition of sanitisers (Chlorine, Bromine etc) and other water balancing and conditioning chemicals can increase the rate of wear and tear on the heat exchanger and associated parts in your heater.

There are three most common reasons for heat exchanger corrosion which can be avoided with a little care and attention.

1. **Excessive Sanitiser.** This means too much Chlorine or Bromine in the water. Be careful, if the level of Chlorine or Bromine is excessively high your test kit (and the pool shops) may not read accurately or indeed may show a nil reading. Any time a salt chlorinator is operating for extended periods, (when heating the swimming pool from cold), particularly if the weather is overcast or the pool enclosed or covered, the Chlorine level may exceed normal levels. When heating a Spa Pool, turn the chlorinator down or off for the duration of the heating period.
2. **Out of balance water.** The water balance is a combination of pH, total alkalinity, Calcium hardness and temperature. These measurements must be at the correct levels to maintain balanced water and effective sanitation of your pool. Balanced water will help prevent corrosion of your heater. Balanced water should be between 7.2 - 7.8 pH.
3. **The addition of acid to lower pH.** Acid must always be added in small quantities and spread over the pool surface evenly, not added in to the skimmer. Do not add a litre at a time, add a cupful each day to lower your pH.
4. **Never add chemicals to skimmer** - dilute and circulate as far away as possible from skimmer.

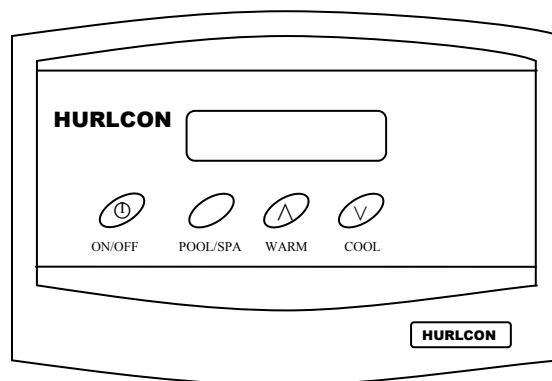
If you have a **salt chlorinated** INDOOR pool or COVERED pool be very careful of the level of Chlorine being produced. If you use a salt chlorinated spa be very careful of the level of Chlorine as the Chlorinator is usually sized for the pool and therefore should be switched off when heating the spa. Leaving the chlorinator on can raise the chlorine level very rapidly in a small volume of water.

These comments are intended as a guide only and are not definitive answers or recommendations on pool water chemistry. Hurlcon's intention is to provide a little understanding of the potential problems of water chemistry and the dangers of corrosion to heaters (and other pool equipment and fittings).

You should always seek the advice of your local pool shop professional and provide them with as much information and feedback as possible when analysing your pool and spa water and obviously be sure to tell them you have a heater connected to the system even though it may not be in constant use.

YOUR WATER SHOULD BE ADJUSTED & BALANCED PRIOR TO ANY CORRODED PARTS BEING REPLACED.

DIGITAL THERMOSTAT OPERATION



DESCRIPTION

The sophisticated digital thermostat provides temperature read out, set point temperature and operating status of the heater. The electronic display indicates the operational status of the heater and any fault conditions.

TEMPERATURE DISPLAY

The temperature display indicates water temperature in the inlet of the heater. Therefore the pump must be operating for an accurate pool or spa water temperature to be displayed.

Comfortable pool temperature is between 26°C and 30°C. Normal spa temperature is between 36°C and 38°C. To select your desired temperature press the up or down button repeatedly until the desired temperature is reached.



To prevent rapid cycling of the heater, the thermostat has an inbuilt time delay which prevents the heater from turning on for two minutes after the set point has been reached. If the time delay is activated, the symbol "L" will be displayed. This is part of normal operation.

The thermostat can be set to temperatures between 10°C and 40°C. It also incorporates several safety features including a 45°C high limit function to prevent overheating of the pool or spa. On simultaneous shut down of the circulating pump and heater, the water within the heater may exceed 45°C for a short period. If the pump and heater are restarted during this period, the thermostat will go into a standby mode and prevent the heater from relighting until the temperature within the heater has dropped below the set temperature.

Should the thermostat fail to stop the heater at the set point or at 40°C, there are three temperature limiting safety devices designed to lock the heater out and prevent further heating. A lock out condition is indicated by the symbols F1 or F2. To reset a lock out condition, turn the power off for five seconds.

FAULT INDICATION

Under fault conditions the thermostat will display a set of alpha numeric symbols to indicate the status of the heater. The meaning of each symbol and action to be taken are listed as follows:

SYMBOL	MEANING	ACTION
Temp Display	Unit has power.	No action.
F0	Heater locked off, thermistor wire disconnected or water at 0°C (freeze conditions).	If water temperature reads greater than 0°C, phone for service.
F1	Thermostat reads greater than 45°C.	Allow water to cool, turn heater off then on again.
F2	Mechanical Hi Limit greater than 45°C.	Allow water to cool, turn heater off then on again.
F3	Thermistor fault	Phone for Service
L	Heater locked out on time delay for 2 minutes.	No action. Heater will Automatically reset after time delay. Or switch off then on again for immediate ignition.
	Pump operating & sufficient water pressure to operate heater	No action.
	Thermostat calling for heat. Electronic Flame Supervision operating.	No action.

MAINTENANCE

It is recommended that you check the following at least every six months and at the beginning of every swimming season.

1. Examine the Flue outlet & Air Intake vents. Make sure there are no obstructions to the flow of air to, or flue products from, the appliance.
2. Keep the heater area clear and free of combustibles and flammable liquids. Chlorine should not be stored in the vicinity of the heater. Chlorine vapours, when drawn through a heater, can rapidly cause corrosion of the heat exchanger.
3. Keep the heater area free from garden refuse and debris. This will help prevent insects nesting in the unit and ensure extended life and reliability of your heater.

ENERGY SAVING TIPS

1. If possible, keep pool or spa covered when not in use. This will not only cut heating costs, but will also keep dirt and debris from settling in the pool and conserve chemicals.
2. Reduce pool thermostat setting to 28°C or lower. This is accepted as a comfortable and healthy swimming temperature.
3. Use an accurate thermometer.
4. Set timeclock to start filtration and circulation system no earlier than daybreak. The pool loses less heat at this time.
5. For pools that are only used on weekends, it is not necessary to leave the thermostat set at 28°C. During the week, lower it by an amount that can easily be achieved in one day (generally 5°C to 8°C).
6. During the winter or while on vacation, turn the heater off.
7. Set up a regular program of preventative maintenance for the heater each new swimming season. Check heat exchanger, controls, burner operation etc.

WINTER OPERATION

If the pool won't be used for a month or more, turn the heater off at the thermostat switch and turn the temperature down to 10 degrees. For areas where there is no danger of freezing, water should circulate through your heater all year long even though you are not heating your pool.

Where freezing is possible, it is necessary to drain the water from the heater. This may be done by loosening the inlet or outlet barrel union. If the heater is below water level, isolate it from the pool first by closing shut off valves before and after the heater.

CAUTION: If the heater has been drained for freezing conditions, do not turn on until the system is circulating water.

INSTALLATION

THIS APPLIANCE MUST BE INSTALLED BY AN AUTHORISED PERSON. Refer to heater data plate for specifications of gas type, gas consumption, burner pressure and water pressure.

This appliance must be installed in accordance with local regulations and A.G.A. Installation Code AS5601. This appliance must be tested for correct operation after installation by the installer.

INDOOR model units are suitable for indoor installation only.

OUTDOOR model units are suitable for outdoor installation only.

INDOOR units must be installed with the approved coaxial flue system only. Flue lengths and bend quantities must not exceed the flue maximum installation guides.

FLOW RATES

The Hurlcon Pool Heater requires a minimum of 150 litres per minute flow and the maximum permissible flow rate is 450 litres per minute. For flow rates in excess of 450 litres per minute, an external by-pass valve must be fitted.

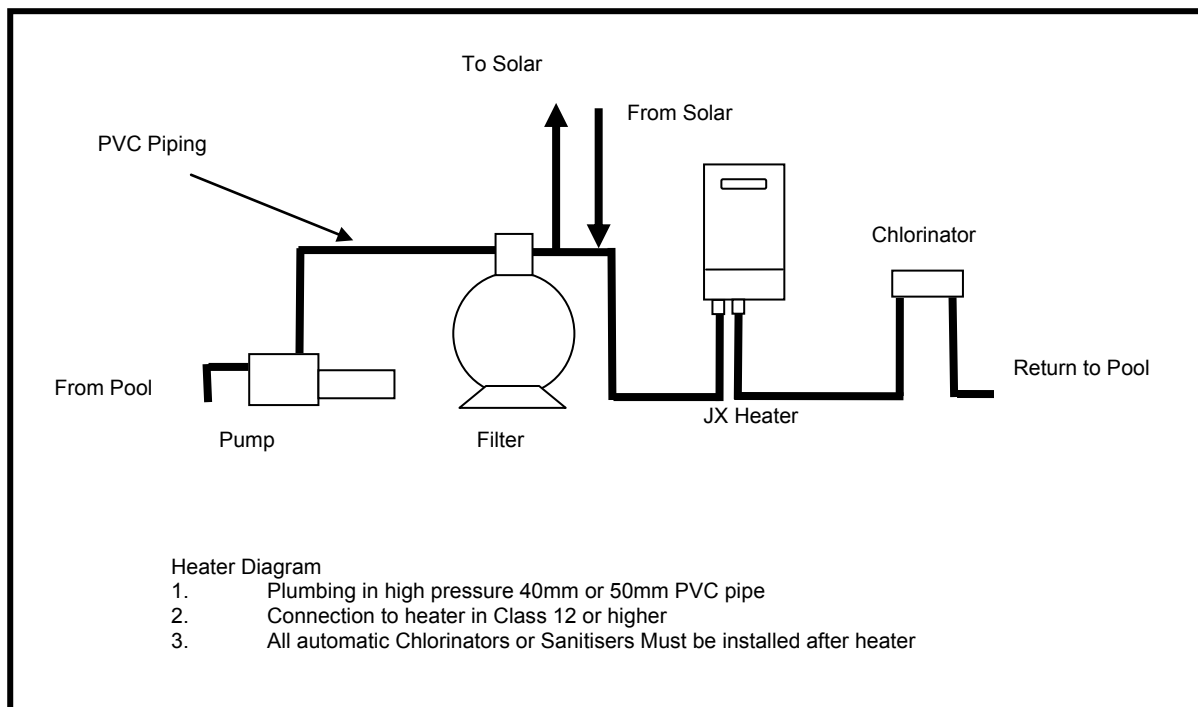
WATER CONNECTIONS

The heater should always be installed after the pump and filter. The water connections are located on the left hand side of the heater on the underside. The inlet and outlet are clearly marked. Water connections require 40 mm PVC glue in plumbing.

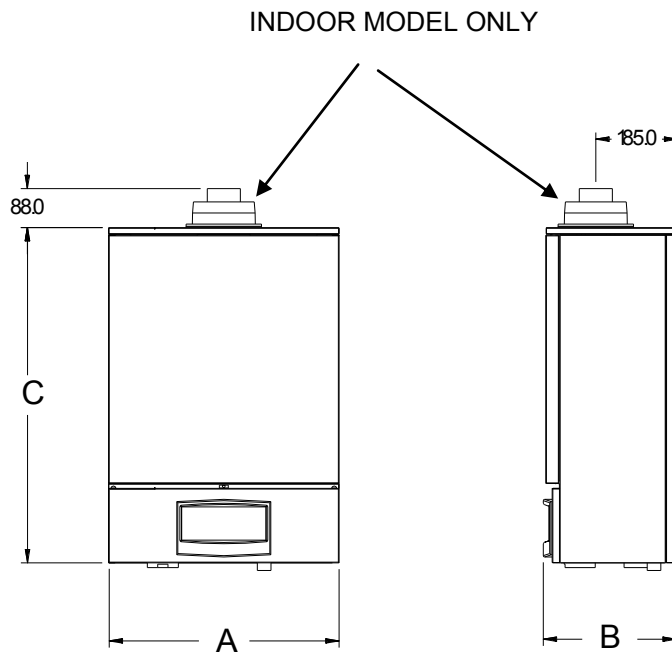
All automatic sanitising devices must be installed after the heater and in such a way that the sanitiser cannot enter the heater without first mixing with the water in the pool or spa. Sanitisers that are connected prior to the heater will void heater warranty.

The Hurlcon Pool Heater incorporates a fan assisted flue and is suited for outdoor installation only.

PLUMBING DIAGRAM



HEATER DIMENSIONS



Model	Dimension A	Dimension B	Dimension C
JX 130 INDOOR	520mm	300mm	755mm
JX 160 INDOOR	650 mm	300mm	755mm
JX 130 OUTDOOR	520mm	300mm	755mm
JX 160 OUTDOOR	650 mm	300mm	755mm

CLEARANCES

The heater must not be installed against any combustible surface. Clearances must comply with AS5601.

Clearances from surfaces are:

	Indoor Heater	Outdoor Heater
Front	500mm	500mm
Both sides	50 mm	300 mm
Above	300mm	300mm
Below	900mm	900mm

ELECTRICAL CONNECTION

The heater is supplied with a standard 10 amp 3 pin plug for connection to a 240V 10 amp GPO. The heater incorporates a 240/24 VAC transformer which supplies power to the control circuit. All pool or spa equipment connected to mains power should be protected by an RCD circuit breaker. It is recommended, where possible that the heater is connected to the same time clock or power supply as the circulating pump. If the supply cord is damaged, it must be replaced by the manufacturer or its service agent or a suitably qualified person in order to avoid a hazard.

MAXIMUM FLUE INSTALLATION LENGTHS

(FOR INDOOR MODELS ONLY)

THIS TERMINAL MUST ALWAYS VENT DIRECTLY OUTDOORS

The heater is supplied with a spigot connection which enables fitting to the approved coaxial flue system. Because the appliance draws its own combustion air from outside using the outer skin of the flue, no ventilation requirements are needed for the heater.

Only the approved flue system shall be used with this appliance. Use of other flue systems will fail to meet AGA installation codes and void warranty.

The coaxial flue sizes are 75mm inner and 125mm diameter outer.

Ensure fluing is securely fixed.

Flue lengths must not exceed the maximum lengths shown below or warranty will be void.

DO NOT place objects near or on flue.

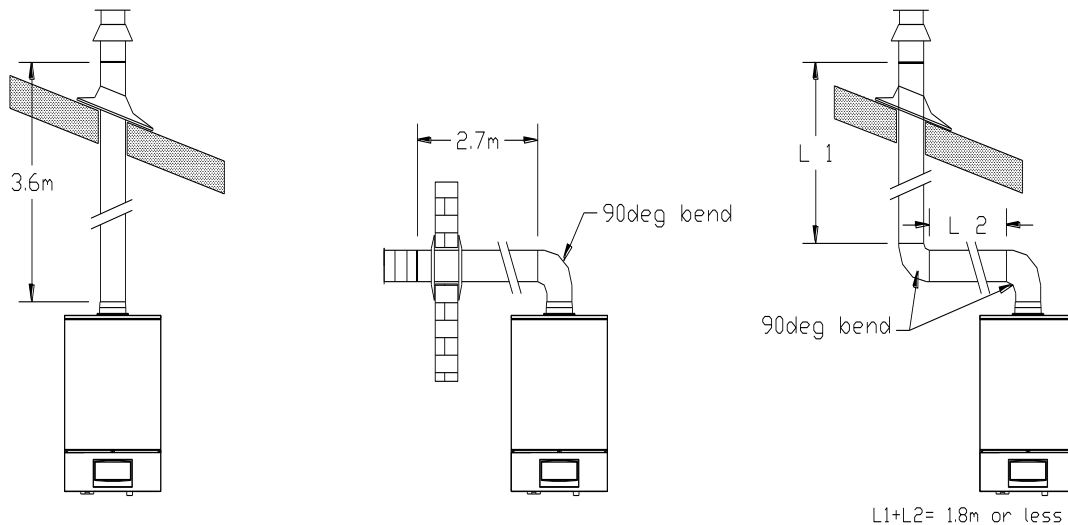
DO NOT dry objects on the flue.

The JX series heaters can be installed as per the following.

The maximum flue runs are as shown. Shorter flue lengths can be run with no modifications to the appliance.

A maximum straight flue length of 3.6m + cowl can be installed. For each 90deg bend installed deduct 0.9m from the allowable flue length.

For variations to the following please contact your nearest Hurlcon office.



GAS CONNECTION

The gas connection is on the base of the heater. A 12mm F.I. connection on the JX130 & 20mm F.I. connection on the JX160 is provided for gas line connection. An approved manual shut off valve must be installed in the gas fitting line before the heater and should be sized the same as the gas fitting line to prevent excessive pressure drop in the gas pipe.

The gas fitting line should be installed by an authorised person and comply with local regulations and A.G.A. code AG 601. The gas line from the meter will usually be of a larger size than the gas inlet connection. Therefore a reduction to the heater connection fitting will be necessary. The reduction should be as close to the heater as possible.

Before using the heater, test all connections for leaks using soapy water.

The heater gas valve has a built in pressure regulator and 1/8" pressure test point. On starting the heater, a manometer must be used and burner pressure checked against the heater data plate. The gas valve regulator may need to be adjusted to correct manifold pressure. Incorrect burner pressure may void warranty.

PRESSURE SWITCH ADJUSTMENT

The Hurlcon Pool Heater incorporates a water pressure switch which allows the burner to operate only when the circulating pump is operating.

It is imperative that the following be undertaken by the person who is commissioning (first starting) your pool or spa heater. On initial start up of the heater it may be necessary to adjust the water pressure activation switch.

This switch is located behind the lower panel on the front of the unit and is connected to the water manifold. The pressure switch is designed to allow operation of the heater only when the circulating pump is turned on and there is sufficient water flow through the heater. It must shut the heater down immediately the pump is switched off.

To check the operation of the switch:

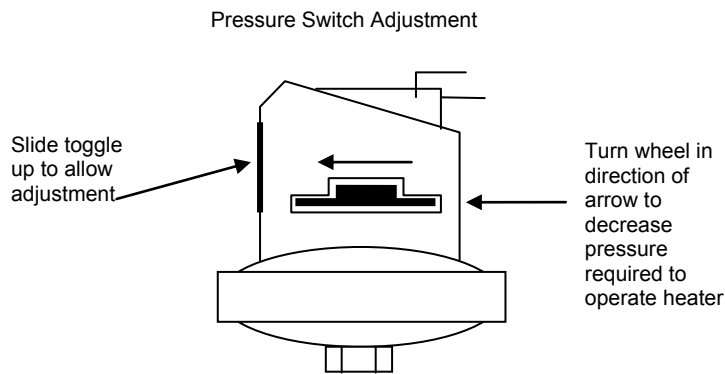
1. Connect the heater to mains power supply. The thermostat should not yet display "θ".
2. Turn on pump. The thermostat should now display "θ".
3. Turn pump off. The thermostat should no longer display "θ".
4. If display does not respond in this way, adjust the pressure switch as detailed below. If display responds correctly, perform a final check with the heater operating.- See the section below titled "Starting the heater"

To adjust pressure switch:

1. Connect the heater to mains power supply.
2. Turn pump off
3. Locate Pressure Switch by accessing from underside of unit.
4. Slide toggle on side of pressure switch up to allow knurled wheel to be turned.
5. Turn knurled wheel anti-clockwise (as viewed from above) until "θ" is displayed
6. Turn knurled wheel clockwise until "θ" disappears.
7. Continue to wind clockwise for a further half turn (180 degrees).
8. When the switch is correctly set, slide the toggle down to lock the knurled wheel in position.

WARNING: If the pressure switch cannot be adjusted correctly, DO NOT OPERATE THE HEATER, contact Hurlcon or an Authorised Service Agent for advice.

1. Perform a final check with the heater operating.- See the section below titled “Starting the heater”.



STARTING THE HEATER

1. Purge gas line of any air and wait five minutes for gas to clear.
2. Turn power to unit on. Thermostat should now operate and indicate water temperature.
3. Turn circulating pump on. Thermostat should display “θ” to indicate water flow.
4. Set thermostat to “ON” and press the “^” button repeatedly until set temperature is greater than water temperature. Thermostat should now display “ ”.
5. After a few seconds, the fan will start. After approximately a 20 second delay the main burner will ignite.*
6. While leaving the heater on, turn the pump off and on at 20 second intervals, six times. Make sure the heater turns off and on each time. If it does not, adjust the pressure switch as detailed above.

It is imperative that the heater is installed so that it does not operate when the circulating pump stops. Recommended methods to achieve this are:

- a) Correct adjustment of internal pressure switch. Ensure heater does not turn on two or three minutes after circulating pump is turned off.
- b) Interlock power supply of circulating pump and heater so that if timer or power turns circulating pump off, heater is also turned off.
- c) Installation of an external flow switch may be preferred under certain installations where internal pressure switch does not turn heater off when circulator stops.

TESTING BURNER PRESSURE

1. Set thermostat to "OFF".
2. Open front door and set up manometer
3. Remove screw from 1/8" brass test point located on outlet side of gas valve
4. Connect manometer tube to test point
5. Set thermostat to "ON" and wait for burner to ignite
6. Once burner has ignited, the manometer must indicate the nominal burner pressure listed below.
7. To adjust gas valve regulator, remove regulator adjustment cap and, using a screwdriver, turn plastic bush clockwise to increase, anti-clockwise to decrease burner pressure.
8. When burner pressure is correctly set, set thermostat to "OFF".
9. Refit test point screw and fibre washer.
10. Refit regulator adjustment cap.

Maximum inlet gas pressure is:

Natural Gas	3.5 kPa
Propane Gas	3.5 kPa

Nominal burner pressure is:

	JX 130	JX 160
Natural Gas	0.92 kPa	0.90 kPa
Propane Gas	2.60 kPa	2.60 kPa

Gas Specifications

Please refer to heater data plate located on the appliance.

The installer must test the appliance for correct operation after installation, prior to handing over to the customer. This appliance must be installed in accordance with the installation instructions, local gas fitting regulations, the AGA Installation Code AS5601/AG 601 and any other relevant statutory authorities.

Gas Specifications

Natural Gas	JX130	JX160
Capacity input MJ/h	105.5	140
Output kW/h	24.2	35
Number of Burners	14	20
Injector Diameter of Main Burners	1.25mm	1.25mm
Burner Pressure (kPa)	0.92	0.90
Hourly Gas Consumption per Burner MJ/h	7.5	7.5

ULPG	JX130	JX160
Capacity input MJ/h	95	135
Output kW/h	20.9	31.6
Number of Burners	14	20
Injector Diameter of Main Burners	0.79mm	0.79mm
Burner Pressure (kPa)	2.0	2.0
Hourly Gas Consumption per Burner MJ/h	6.78	6.75

GAS CONVERSION

BURNER CONVERSION

1. Turn off gas supply to unit.
2. Turn off power supply to pump and heater.
3. Remove front access doors
4. Disconnect gas supply tube from burner manifold.
5. Remove burner inspection bracket and ignitor.
6. Remove the four Phillips head screws securing the burner at the end of the manifold tube to combustion chamber support angles.
7. Slide burner out.
8. Remove burner injectors and replace with desired gas type injectors.
9. Remove regulator screw cap from top of gas valve
10. Turn plastic plug anti-clockwise until fully removed and withdraw spring.
11. Insert spring for desired gas type and re-install plastic plug.
12. Re-install burner assembly and panels then reconnect gas supply.
13. Check gas system for leaks.
14. Commence lighting procedure as described above.
15. Adjust burner pressure as described above.
16. NOTE: It is imperative that all shields are refitted for correct burner operation and combustion, incorrect re-assembly could void warranty

JX 130		
GAS TYPE	INJECTOR SIZE	BURNER PRESSURE
NATURAL	1.25 mm	0.92 kPa
PROPANE	0.79 mm	2.60 kPa

JX 160		
GAS TYPE	INJECTOR SIZE	BURNER PRESSURE
NATURAL	1.25 mm	0.90 kPa
PROPANE	0.79 mm	2.60 kPa

TROUBLESHOOTING

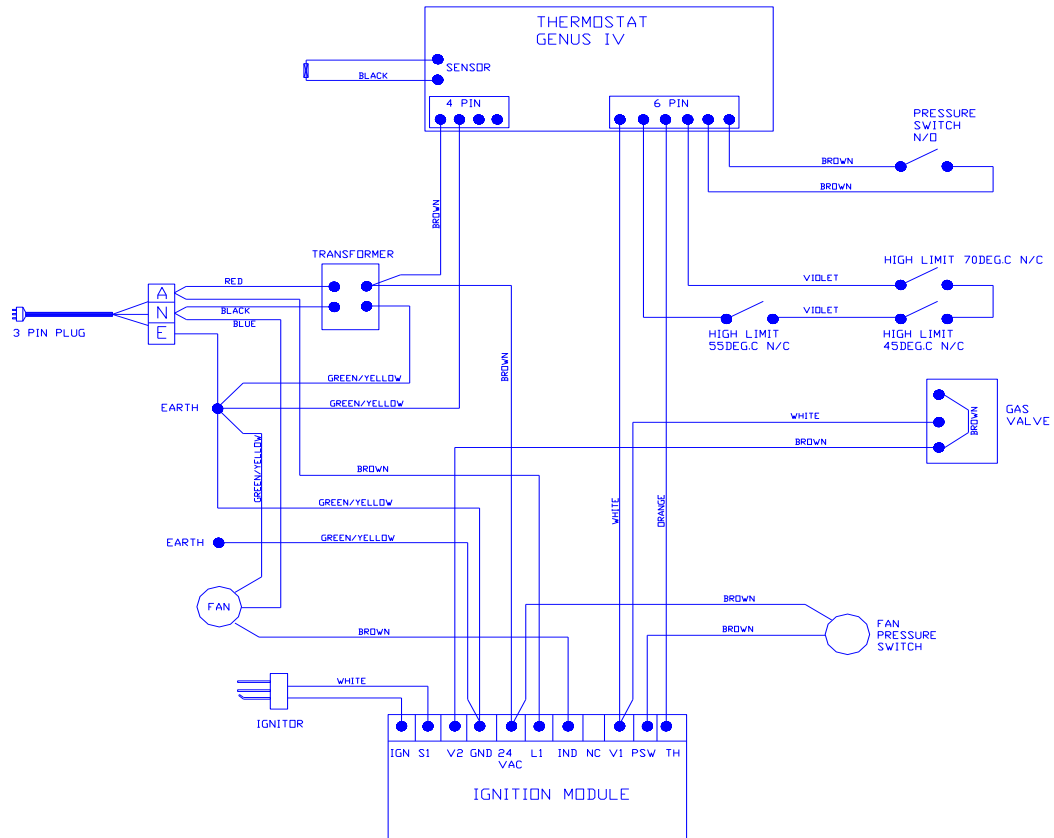
HEATER WILL NOT LIGHT	
Possible cause	Remedy
Automatic ignition system fails	Check if power to heater is turned on and pump is in operation
Fan runs but burner will not ignite	Blocked flue inlet or outlet
Pump not running	Start pump
Pump airlocked	Check for leaks
Filter dirty	Clean filter
Pump strainer basket clogged	Clean strainer
Defective gas control	Shut off gas supply and call for service
Thermostat turned off	Turn on
Set temperature lower than water temperature	Increase set temperature
Water too hot-fault condition displayed	Refer to fault indication table
HEATER SHORT CYCLING (RAPID ON AND OFF OPERATION)	
Possible cause	Remedy
Insufficient water flow	Clean filter and pump strainer
Faulty air pressure switch	Call for service
Flue / Heat Exchanger Blocked	Call for Service
Defective high limit or thermostat	Repair or replace
HEATER MAKING KNOCKING NOISES	
Possible cause	Remedy
Heater operating after pump has shut off	Shut off gas supply and call for service
Heat exchanger scaled	Shut off gas supply and call for service

If the heater cannot be made to perform correctly, please contact the Hurlcon office closest to you.

For VIC: Phone (03) 8796 8600
 NSW : Phone (02) 9853 2100
 QLD: Phone (07) 3308 5400
 SA: Phone (08) 8152 7600
 WA: Phone (08) 9350 2600

For all other areas, please contact our Victorian office.

JX SERIES WIRING DIAGRAM



Maintenance of your heater

Maintenance Schedule: Your new product incorporates moving parts and withstands high velocity water with chemicals in it. Some of these parts will wear in the normal course of use and require regular checks and maintenance. Performing these checks and maintenance will identify parts that have worn and require repair/replacement before further serious damage is sustained. A small amount of regular care and attention to your pool equipment will help ensure long life and trouble free performance.

Timing	Maintenance Check	Service action (if required)
Monthly	Operate heater for 15 min to clear residues and ensure correct operation	Start circulation pump and turn heater on, leaving to run for a few minutes. This will clear flue passages and keep components working properly
Three Monthly	Check inlet/outlet o'rings for leaks	Isolate Pump, turn power off, clean and grease O rings or replace if necessary
Three Monthly	Check surroundings for leaves, debris and flooding	Remove debris from around the base of the heater and rectify if any flooding. Clear vegetation from around the flue
Annually	Check gas pressures	Call Service technician to perform annual gas checks and routine maintenance

Important note: Regular maintenance is important to ensure long life and trouble free performance of your pool equipment. If unable to perform the maintenance yourself, contact your local AstralPool office who will arrange a trained service technician to perform the maintenance for you.

Record your Equipment details here for quick reference:

Model No.: _____

Serial No.: _____

FIVE YEAR PRO RATA WARRANTY

Hurlcon cover your pool and spa heater with a limited 5 year Pro Rata warranty against defective materials and workmanship from the date of purchase (plus 30 days to allow for installation).

1. The cabinet, refractory insulation and combustion chamber are covered for a period of five years (plus 30 days to allow for installation).
2. The heat exchanger, burners, inlet and return water headers are covered for a period of two years (plus 30 days to allow for installation).
3. Components such as gas valve, combustion fan, thermostat, pilot, wiring, gaskets and all other parts are covered for a period of one year (plus 30 days to allow for installation)

The warranty includes 12 months in field labour costs where the heater is installed in a capital city metropolitan area or within a 20 km radius of an Authorised Hurlcon Service Agent.

Like your motor vehicle, your new heater requires periodic service and maintenance to keep it operating in top condition and at maximum efficiency. An annual service by one of our qualified service technicians is highly recommended.

Limitations

All warranties only apply if the heater is installed and operated in complete compliance with the installation and operating instructions. The warranty shall not apply to any heaters or parts which have been subject to accident, negligence, alteration, abuse or misuse.

Corrosion of the heat exchanger is caused by improper water chemical balance and will void all warranties. Refer to Installation and Operating Instructions for water balance guide. Hurlcon assumes no liability for consequential damages of any kind. In field labour warranty is applicable in capital city metropolitan areas and within a 20 km radius of Hurlcon Authorised Service Agents. Should you request a warranty service call and the problem is diagnosed as non-warrantable, you will be charged for a diagnostic service call plus any parts and labour required to repair the heater. No person is authorised to make any representations on behalf of Hurlcon.

Commercial Installations

On commercial installations, such as health clubs, motels/hotels and hydrotherapy facilities, parts and in field labour warranty (within capital city metropolitan areas or 20 km radius of Authorised Service Agents) is 6 months from the date of purchase plus 30 days.