

## NET'N'CLEAN INTEGRATED CLEANING SYSTEM

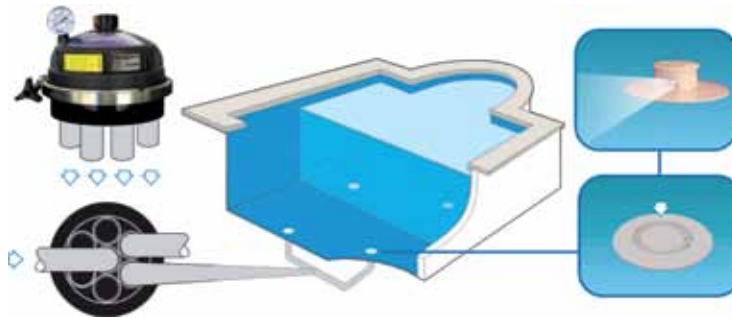
### NET 'N' CLEAN

#### Integrated cleaning system

The NET'N'CLEAN is an efficient cleaning system, consisting of a six outlet distributor valve that receives clean water from the filter and distributes it sequentially to a series of nozzles installed on the pool floor.

As pressurised water exits the nozzles, it lifts dirt from the bottom into suspension to be collected by the skimmer and the drain. The Net 'n' Clean offers a more efficient and cost effective alternative to other cleaning systems as it provides a more uniform distribution of the pool temperature and chemicals.

#### INSTALLATION DIAGRAM



#### Net'n'Clean distributor valve Ø 50 mm

Six way distribution valve. This valve is part of the Net'n'Clean cleaning system which is integrated in the pool floor. It distributes water sequentially through its various branches. Made of plastic and titanium it has high resistance to salt water. Maximum working pressure: 1.4 bars. Maximum flow: 15 m<sup>3</sup>/h. Connections: 7 x Ø 50 mm. 2 pop-up nozzles for branch recommended.



Net'n'Clean distributor valve:  
European model

Code	Standard Packing	Standard Weight kg	Standard Volume m <sup>3</sup>
21257	1	1.7	0.015



#### Net'N'Clean distributor valve Ø 63 mm

Distributor valve optimized for greater hydraulic performance. Maximum working pressure of 1.8 bars. Maximum flow of 24 m<sup>3</sup>/h. Connections: 7 x Ø 63 mm or 7 x Ø 75 mm. From 2 to 4 nozzles per branch.



Net'N'Clean distributor valve Ø 63 mm

Code	Standard Packing	Standard Weight kg	Standard Volume m <sup>3</sup>
35079	1	5.6	0.031



#### Net'N'Clean reducing wall conduit for nozzles

Reducing conduit to install concrete Net'N'Clean nozzles (26985). Made in white PVC. Ø 50 mm inside & Ø 63 mm outside connections.

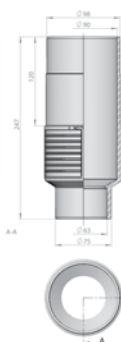


Code	Standard Packing	Standard Weight kg	Standard Volume m <sup>3</sup>
21248	12	7.3	0.032



#### Wall conduit Ø 90 mm

Reducing conduit to install concrete Net'N'Clean nozzles (26985). Made in white PVC. Ø 50 mm inside & Ø 63 mm outside connections.



Wall conduit Ø 90 / Ø63-Ø75 mm

Code	Standard Packing	Standard Weight kg	Standard Volume m <sup>3</sup>
21248	12	7.3	0.032

For the nozzles:

Net'N'Clean: 43584 - 43585

BCN 03: 43586 - 43587 - 43588 - 43589

Inlet/suction nozzle for large flows: 41518 - 41519 - 41520 - 41521



# Rainbow Pool Products

PO Box 2388, Mansfield Qld 4122

Telephone STD 61-7-3849 5385

Facsimile STD 61-7-3849 5384

Email: info@rainbowpoolproducts.com.au

Web: www.rainbowpoolproducts.com.au

## NET'N'CLEAN INTEGRATED CLEANING SYSTEM



### Net'N'Clean nozzle

Net'N'Clean nozzle range with 4 different hole configurations. We recommend S4 for the floor and S1 and S2 for the steps. Designed for concrete, liner and fibreglass pools.

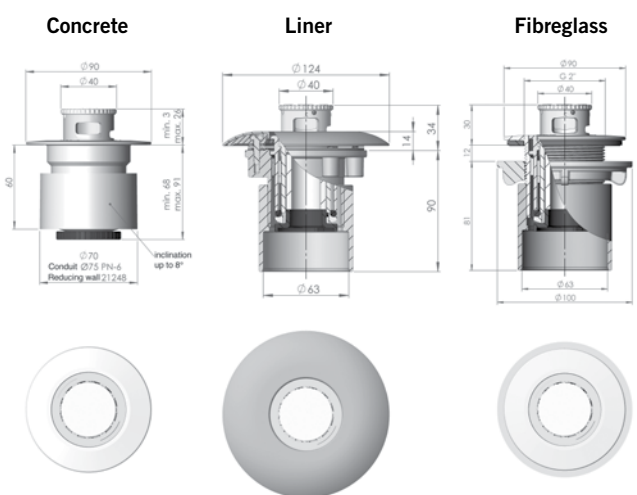
The flow rates and radius of action according to the outlet chosen on the nozzle are:

Outlet	Combination	Flow x nozzle m <sup>3</sup> /h	Cleaning length in metres	Outlet surface in mm <sup>2</sup>
S1	B+D	2.5	0.60	50
S2	A+D	4	1.25	100
S3	B+C	5	1.80	150
<b>S4</b>	<b>A+C</b>	<b>5</b>	<b>1.80</b>	<b>200</b>

In bold type, the configuration supplied from factory.

	Code	Standard Packing	Standard Weight kg	Standard Volume m <sup>3</sup>
<b>For concrete pools:</b>				
With swivel joint	<b>26985</b>	12	4.14	0.02
Fixed	<b>26986</b>	12	3.78	0.02
<b>For liner pools:</b>				
Fixed self threaded PN10	<b>28499</b>	12	5.05	0.034
With metallic insert PN10	<b>28500</b>	12	5.05	0.034
With swivel joint, with inserts	<b>43584</b>	12	5.64	0.033
With swivel joint, with self-tappers	<b>43585</b>	12	5.30	0.033
<b>For Fibreglass pools:</b>				
Fixed	<b>21209</b>	12	5.05	0.034

On demand can be supplied with the following colours: Sky blue, Navy blue, Grey metal flake, Grey metal and Black.



### Net'N'Clean electronic integrated cleaning system

The Net'N'Clean electronic recommended for public or large private pools is equipped with an electronic panel that automatically controls a series of solenoid valves used to open or close water flow to each nozzle branch. Computer controlled. Controls up to 12 electrovalves. Maximum flow rate: 18 m<sup>3</sup>/h for each valve.

	Code	Standard Packing	Standard Weight kg	Standard Volume m <sup>3</sup>
4 valve system	<b>32388</b>	1	16.55	0.260
6 valve system	<b>22512</b>	1	24.83	0.260
8 valve system	<b>22514</b>	1	31.10	0.029
10 valve system	<b>22516</b>	1	35.40	0.029
12 valve system	<b>22518</b>	1	39.70	0.029

We will not be held responsible for any malfunction or other problems deriving from an incorrect installation. To avoid any such problems, please follow the instructions outlined in the installation manual.

