



## CHLORINE FEEDER



**Code**

**Description**

**Chlorine Feeder**

***12 Months Warranty***

24429

In-line chlorine and Bromine Feeder with 40mm connectors

24430

Off-line chlorine and Bromine Feeder with flexible tube

# SPECIFICATIONS

## Chlorine Feeder

### Description:

Chlorine and Bromine feeder. Manufactured from unalterable plastic materials (ABS). Approximate capacity: 3.5 kg of tablets. Lid closing with double safety system. Easy to operate regulation valves. For pools up to 60 m<sup>3</sup> with Chlorine and up to 30 m<sup>3</sup> with Bromine. Height: 405 mm.

### Ordering:

Please specify product number when ordering.

### Warranty Guide:

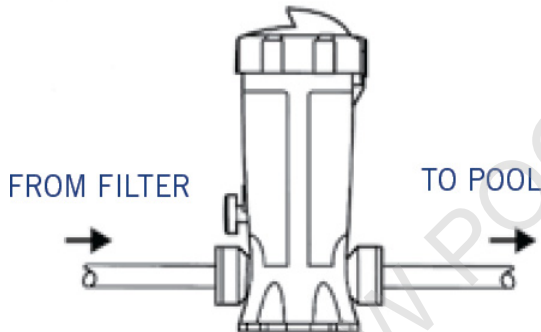
12 Months. - Refer to instructions for full warranty details

Product Code
--------------

In-line chlorine and Bromine Feeder with 40mm connectors  
Off-line chlorine and Bromine Feeder with flexible tube

24429  
24430

Code 24429 IN-LINE



Code 24430 OFF-LINE

