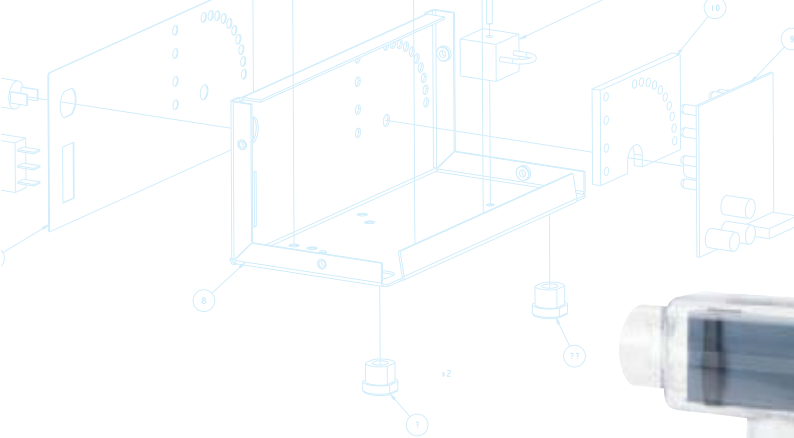




autochlorTM
SALT WATER CHLORINATION



PROUDLY
MADE IN AUSTRALIA

Salt Water Electrolysers/Chlorine Generators; RP Series

- Reverse Polarity (Reduced Maintenance)
- Powered By Transformer Power Supply
- The Reversing Action De-scales The Build-up Of Calcium And Reduces Electrode Cleaning Maintenance By 95%
- Salinity Range: 4,500 – 6,500 mg/L

Model	Chlorine Gas Equivalent	Input AC Power Consumption	Water Flow	Dimension (Packaged)	Weight Gross
	Grams/Hour	kW	Litres/minute	L x W x H (cm)	Kg
RPMINI	5	0.07	200 – 400	37 x 31 x 22	11
RP7*	7	0.100	200 – 400	39 x 19 x 30	5.5
RP15	15	0.215	200 – 400	37 x 31 x 22	11
RP20	20	0.290	200 – 400	37 x 31 x 22	11
RP25	25	0.360	200 – 400	37 x 31 x 22	11
RP36	36	0.290	200 – 400	37 x 31 x 22	11
RP50	50	0.720	200 – 400	43 x 33 x 27	16
RP64	64	0.505	200 – 400	43 x 33 x 27	16
RP92	92	0.720	200 – 400	43 x 33 x 27	16

Options (Available to Australian customers only)

Prefix	Description	Additions available for
T	Timer Option	Mini/15/20/25/36/50/64/92
QT	Timer With Battery Back Up	Mini/15/20/25/36/50/64/92
L12	Underwater Light Option 12V	Mini/15/20/25
L24	Underwater Light Option 24V	Mini/15/20/25
L32	Underwater Light Option 32V	Mini/15/20/25
S	Seawater Configuration	Mini/15/20/25/36/50/64/92

NB: When ordering desirable model with options, simply add prefix to the model code. Example: RP25 TL12

* = RP7 Does not have pump outlet and no options available



Schematic Drawing Of RP7

