



DAVEY

Depend on Davey

APPLICATIONS

Ideal for:

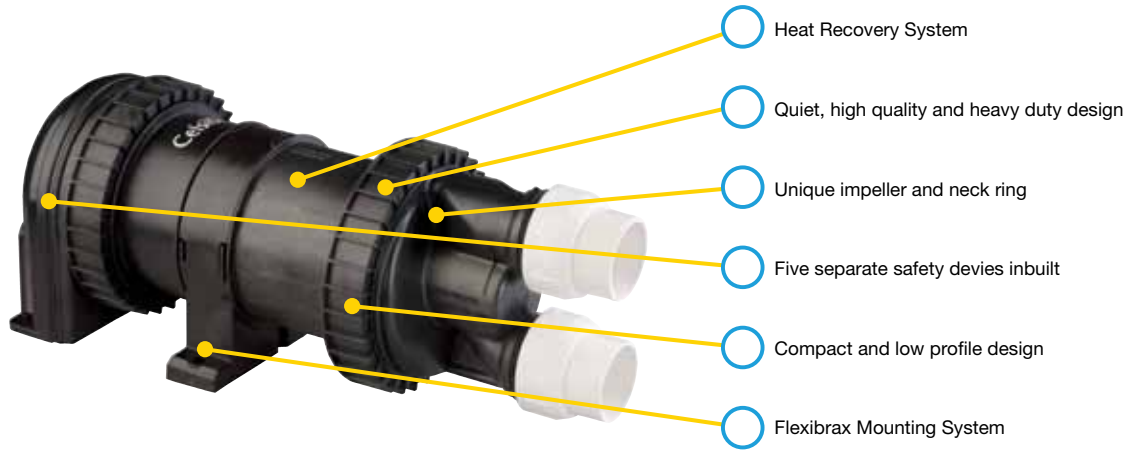
- Spa baths containing up to 12 jets

DAVEY
Celsior®
Spa Bath Pump

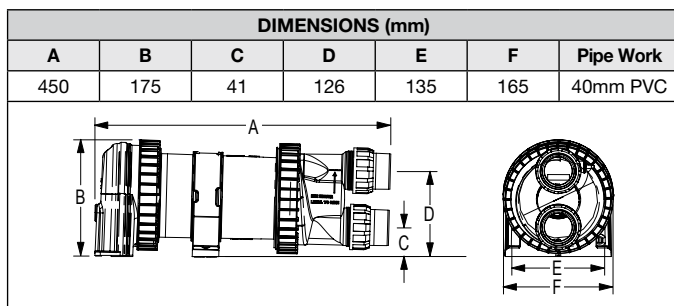
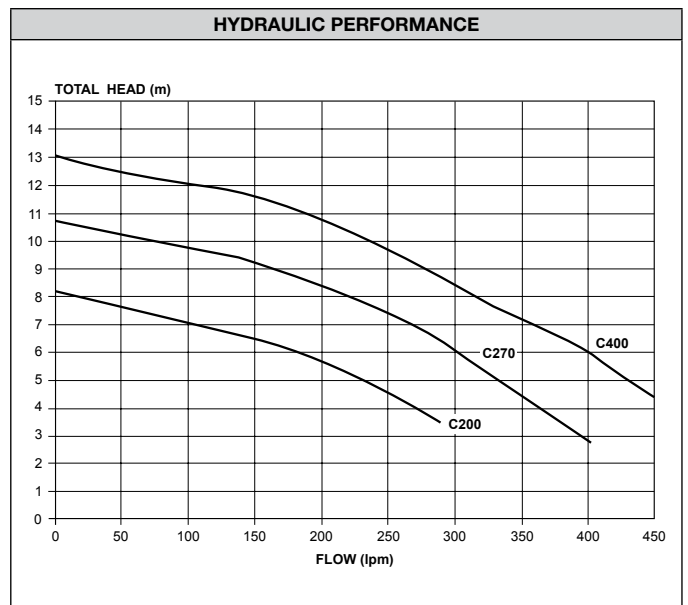
The Davey Celsior range features an advanced, high efficiency water cooled electric motor combined with a high performance self-draining wet end and comes with a selection of control and in-built heater options.

WHY CHOOSE THE Davey Celsior Spa Bath Pump?

- Up to 50% quieter than other pumps which provides a more enjoyable spa experience that will not disturb your well deserved relaxation or your neighbours
- With pumps as large as 2HP, and three unique patented features, Celsior pumps deliver greater water flow and pressure, enlivening your spa for a complete massaging effect
- Patented 'heat maintenance technology' uses motor heat to assist in maintaining the water temperature
- Environmentally friendly & highly efficient with up to 97% effective energy usage
- High efficiency impeller lowers running costs, delivering savings of up to 15% over older style spa bath pumps
- Unique impeller neck ring increases water pressure and flow
- Quick and easy to install using the Davey 'Flexibrax' which makes wall mounting possible with no extra parts and maximises the flexibility and space within your bathroom
- IP45 protective enclosures make Celsior ideal for outdoor installation without the need for expensive covers
- Designed to exceed standards for electrical safety, with up to 5 safety devices that monitor environmental and pump conditions
- Designed to self-drain free of water after each use, prevents build up of stale unhygienic water for your peace of mind
- 'No water' protection prevents heater operation if the pump is run in the absence of water
- All Celsior models feature automatic shutdown protection if the pump is run without water or the suction is blocked
- Quiet, high quality, heavy duty, Davey manufactured pump and motor ensures that the range is of the highest quality
- Built-in automatic air bleed, enables air to be released from the pump, to assist priming performance in difficult installations



MATERIALS OF CONSTRUCTION	
Part	Material
Pump casing	ABS
Impeller	Acetal
Impeller neck ring	Glass filled nylon
O-rings	Nitrile rubber
Shaft	Low carbon steel
Mechanical seal - Rotating face - Stationary face	Composite carbon Ceramic
Bearings	Full contact neoprene seal
Motor inner shell	304 stainless steel
Motor outer shell	Glass filled Noryl
Barrel unions	ABS



OPERATING LIMITS	
Maximum water temperature	40°C
Maximum ambient temperature	40°C
Sound power levels	60dB (A)

ELECTRICAL DATA									
	C200A	C270A	C400A	C200AB	C270AB	C400AB	C200TB	C270TB	C400TB
Voltage (V)	220-250								
Supply frequency (Hz)	50								
Start current (A)	6.8	12.2	19.8	6.8	12.2	19.8	6.8	12.2	19.8
Run current (A)	3.0	3.9	6.5	3.0	3.9	6.5	3.0	3.9	6.5
Heater current (A)	-	-	-	4.2					
Total unit current (A)	3.0	3.9	6.5	7.2	8.1	10.7	7.2	8.1	10.7
Motor input power (W)	690	930	1500	690	930	1500	690	930	1500
Motor output power (W)	414	623	1050	414	623	1050	414	623	1050
Heater input (W)	-	-	-	1000					
Effective heating (W)	635	869	1410	1635	1869	2410	1635	1869	2410
Effective energy use (%)	92	93.4	94	96.6	96.8	96.4	96.6	96.8	96.4
Enclosure class (IP)	45								
Insulation class	F								
Approval No.	Q03981								