

SUPER QUIET

DAVEY

ProMaster®

Premium VSD400

INNOVATIVE POOL PUMP

APPLICATION

Ideal for pool filtration, in-floor pool cleaning systems, connection to external pool controllers, heat pumps and gas heaters. Suitable for pools from 10,000 to 140,000 litres.



HIGH EFFICIENCY, SUPER QUIET, WATER COOLED DESIGN

- > **Super Quiet** – Designed with a unique water-cooled motor which captures noise and vibrations, allowing super-quiet operation, rated down to 50 dBa. Your neighbours won't even know it's there.
- > **Fully Variable Speed Control** – The ProMaster offers the pool owner and operator total control over the speed at which the pump needs to operate, from 1,500rpm to 3,600rpm
- > **Programmable boost cycling for every hour of operation**
 - For running the pump at full speed (Boost) for a pre-determined time of operation
 - Improves surface skimming providing for a cleaner pool
 - Ideal for in-floor, pop up, cleaning systems
- > **Constant flow/speed compensation**
 - Helps to overcome friction losses experienced as debris builds up in your filter
 - Saves money on energy running costs*
- > **Convenient** – Large 4.5 litre leaf basket for long intervals between cleaning
- > **Weatherproof RJ45 communication port** – For speed adjustment via connection to an external pool controller, gas heater or heat pump
- > **Backwash speed cycling technology** – For effective media cleaning and reducing waste water when backwashing
- > **Double insulated to water circuit** – Provided with an Equipotential Bonding Point for AS/NZ 3000 wiring standards

*Running your pump at low speed uses less energy to turnover the same amount of pool water.



Depend on Davey

DAVEY

ProMaster

Premium VSD400 Pool Pump



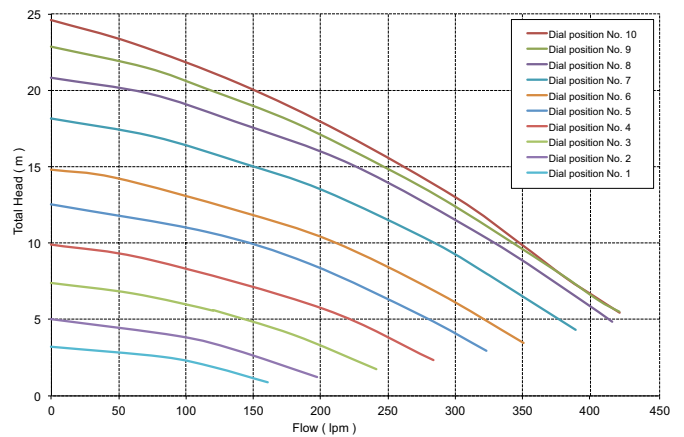
- Large 4.5 litre lint pot** provides for longer intervals between cleaning
- Weatherproof RJ45 communication port** for communication & connecting to external pool control systems or pool heaters
- Fully variable frequency drive** with user friendly selectable speed dial
- Multi-coloured LED indicator light** for operating conditions and warnings
- Loss of prime protection** to protect the pump when there is no water inside the pump
- Drain plug** enables quick draining of the casing for easy removal and maintenance
- High performance water cooled motor** for super quiet, efficient use all year round
- Double insulated to water circuit** with Equipotential Bonding Point

ELECTRICAL DATA

Voltage (V)	240
Supply frequency (Hz)	50
Motor input power (W/hp)	120W/0.16hp @ Dial 1 660W/0.85hp @ Dial 5 1,630W/2.2hp @ Dial 10 Variable speed @ Backwash
Motor speed (rpm)	1,050 to 3,100
Backwash (rpm)	Variable speed
Enclosure class (IP)	45
Insulation class	F
Power lead length	3m
Approval No.	SGS-150025-EA

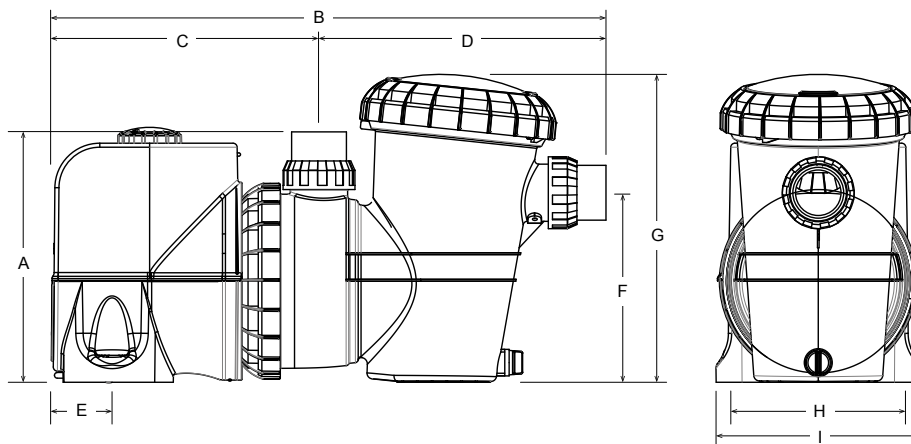
OPERATING LIMITS	Max. water temperature	Max. ambient temperature
	40°C	50°C

HYDRAULIC PERFORMANCE



DIMENSIONS (mm)

Model	A	B	C	D	E	F	G	H	I	Mounting Holes Diameter	Inlet/Outlet PVC	Net Weight (kg)
PM400PV	305	670	320	350	65	230	380	200	250	10	50	14.5



Rainbow Pool Products

PO Box 2388, Mansfield Qld 4122

Telephone STD 61-7-3849 5385

Facsimile STD 61-7-3849 5384

Email: info@rainbowpoolproducts.com.au

Web: www.rainbowpoolproducts.com.au