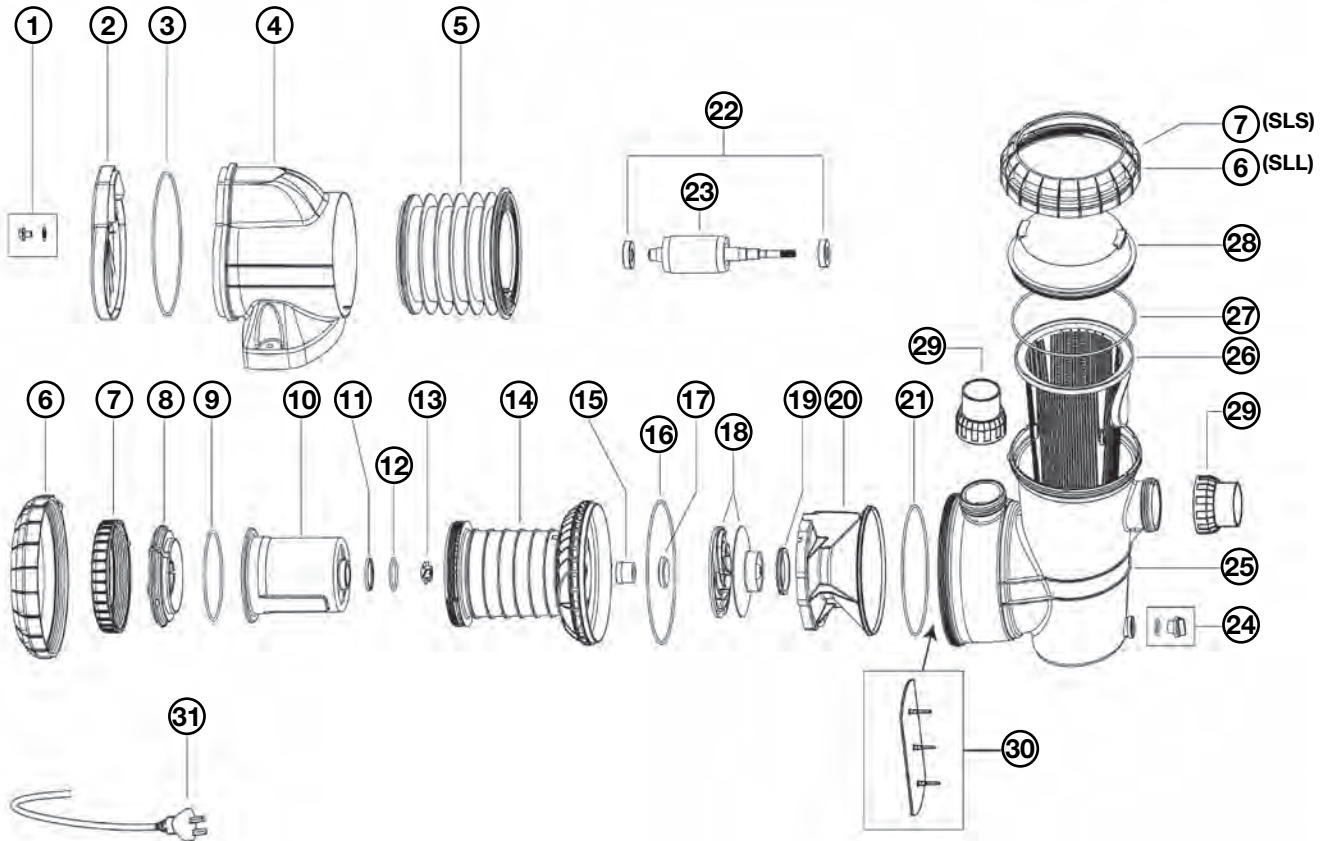


# Davey Swimming Pool Pumps

Silensor Pool Pump, Small, 75lpm	SLS75
Silensor Pool Pump, Small, 100lpm	SLS100
Silensor Pool Pump, Small, 150lpm	SLS150
Silensor Pool Pump, Small, 200lpm	SLS200
Silensor Pool Pump, Small, 300lpm	SLS300
Silensor Pool Pump, Small, ECO	SLSECO
Silensor Pool Pump, Large, 150lpm	SLL150
Silensor Pool Pump, Large, 200lpm	SLL200
Silensor Pool Pump, Large, 300lpm	SLL300
Silensor Pool Pump, Large, 400lpm	SLL400
Silensor Pool Pump, Large, ECO	SLLECO

- Notes: A. Lid assembly comprises of items 6/7, 27 & 28.  
 B. Item 16 (balance drum - p/n 13610) is no longer used. Pumps manufactured up to serial number 07078-8046 were fitted with balance drums. The balance drum must be removed & the alternative arrangement utilizing a Mylar washer (p/n 13846\*10) must be fitted during re-assembly.  
 C. Silensor service tools 13810SP & 13810-1SP required to remove case nuts during servicing.  
 D. Seal kit includes items 3, 9, 12, 15, 16 & 27.



ITEM	NOTES	DESCRIPTION	QTY REQ'D	PART NO.
		Service Motor - 75mm SLS75	1	SLS75SM
		Service Motor - 75mm SLS100, SLS150, SLS200, SLL150	1	S75SM
		Service Motor - 83mm SLL200, SLS300/SLL300	1	S83SM
		Service Motor - 92mm SLL400	1	S92SM
		Service Motor - 35mm SLL/SLS ECO	1	S35SM

# Davey Swimming Pool Pumps

Power Master			PM200
Power Master			PM250
Power Master, Service Pump			PM250S
Power Master			PM350
Power Master			PM450
Power Master, 3 Phase			PM4503
Power Master Eco Series		PMECO	PMECO2 PMECO3

ITEM	NOTES	DESCRIPTION	QTY REQ'D	PART NO.
1	A	Motor - 1.2kW 220/1/50 PM200, PM250 & PM350	1	803
1	A	Motor - 1.8kW 220/1/50 PM450	1	816
1	A	Motor - 1.8kW 415/3/50 PM4503	1	861
1		Motor - PMECO & PMECO3 (Fasco)	1	867
1		Motor - PMECO2 (Fasco)	1	870
2		Lid - Leaf Strainer	1	9171-30
3		O-ring	1	43471
4		Strainer - Leaf	1	12346
5		Barrel Union Assy - 40mm PM200, PM250	2	48775B
5		Barrel Union Assy - 40/50mm PM350, PMECO Series	2	48773B
5		Barrel Union Assy - 50mm PM4503	2	48722B
6		50mm Union O-Ring	1	Q5112
7		Casing - Pump	1	9158-10
8		Cap - Blank (incl. O-ring) kit	1	11260-2SP
9		O-ring - (pack of 5) pkt	1	44835*5
10		Screw - s/s M10 x 45 (pk6) pkt	1	S37M1045*6
11		Nut - Nyloc M10 x 1.5 s/s (Pk 6)	1	N35M10*6
12		Kit - Flap valve w/screw kit	1	31528
13		Kit - Seal kit	1	31529
13a	B	Seal - Mechanical 16mm (Silicon carbide)	1	49021SP
13b		Sleeve - Shaft	1	12270-10
13c		O-ring - (pack of 5) pkt	1	44835*5
13d		O-ring - Casing	1	43402
13e		O-ring	1	43403
14		Backplate	1	9243-1SP
15		Impeller & O-ring - PM200	1	12635SP
15		Impeller & O-ring - PM250	1	12338SP
15		Impeller & O-ring - PM350	1	12333SP
15		Impeller & O-ring - PM450 & PM4503	1	12339SP
15		Impeller Assy - PMECO, PMECO3	1	12338-2SP
15		Impeller Assy - PMECO2	1	12339-2SP
15		Impeller - Service Pump	1	12335-2
16		Diffuser	1	12336
17		Screw - Flap Valve (pk5) pkt	1	11742*5
18		Plate - Seperator	1	12347SP
-		Motor adaptor - PMECO Series Not Illustrated	1	14610
-		Fan - PMECO & PMECO3 Not Illustrated	1	33404602
-		Fan - PMECO2 Not Illustrated	1	33404601
-		Fan Cowl - PMECO & PMECO3 Not Illustrated	1	35702803
-		Fan Cowl - PMECO2 Not Illustrated	1	35702802
-		Service Motor - Open impeller kit kit	1	31580



## Rainbow Pool Products

PO Box 2388, Mansfield Qld 4122

Telephone STD 61-7-3849 5385

Facsimile STD 61-7-3849 5384

Email: [info@rainbowpoolproducts.com.au](mailto:info@rainbowpoolproducts.com.au)

Web: [www.rainbowpoolproducts.com.au](http://www.rainbowpoolproducts.com.au)