

DEPEND ON
DAVEY

WATER PRODUCTS

Skim Filters

Installation and Operating Instructions

- Models – Series 1000 Skim Filter**
– SQ50/100 Skim Filter
– Wide Mouth Skim Filter



WARNING: Failure to follow these instructions and comply with all applicable codes may cause serious bodily injury and/or property damage.

The installation of this product should be carried out by a person knowledgeable in spa pool plumbing requirements following the Installation Instructions provided in this manual.

Please pass these instructions on to the operator of this equipment.

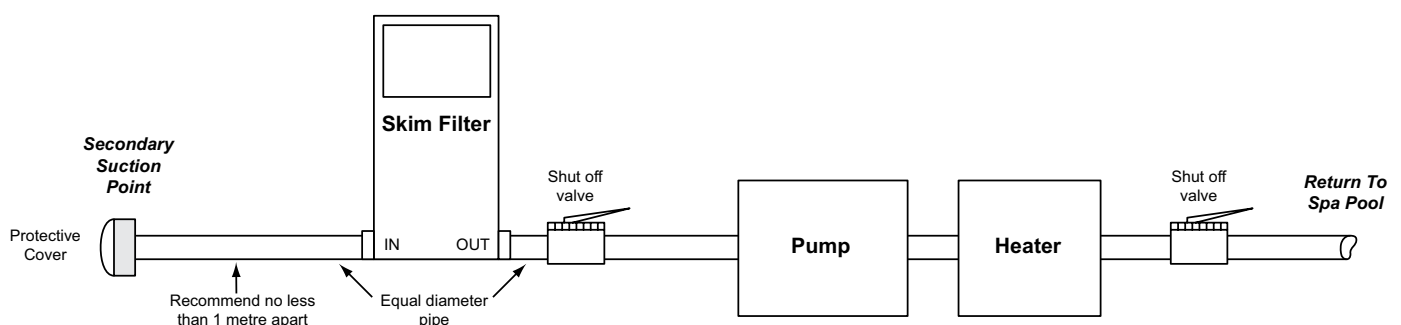
**This diagram provides Davey's recommendation
for the safe installation of skim filters in spa pools.**

**Please refer to the applicable standards
within the market you operate.**



WARNING: A secondary suction point is required in a skim filter installation to prevent entrapment of hair and body.

NOTE: MULTIPLE PUMP SYSTEMS: Always ensure that a minimum of two suction points are installed per pump.



Safety Notice – Q1005 Models

Compliance to AS 1926.3 – 2010 (Section 5.4 Child Resistant Lid)

If the top cover plate of a Q1005 skim filter is removed, and the skimmer weir is fully submerged, it will create suction at the top of the skimmer box. This could be hazardous to persons in close proximity to the skim filter.

To overcome this potential hazard the top cover MUST be either permanently glued down or covered by a lockable niche plate / cover to prevent removal of this lid.

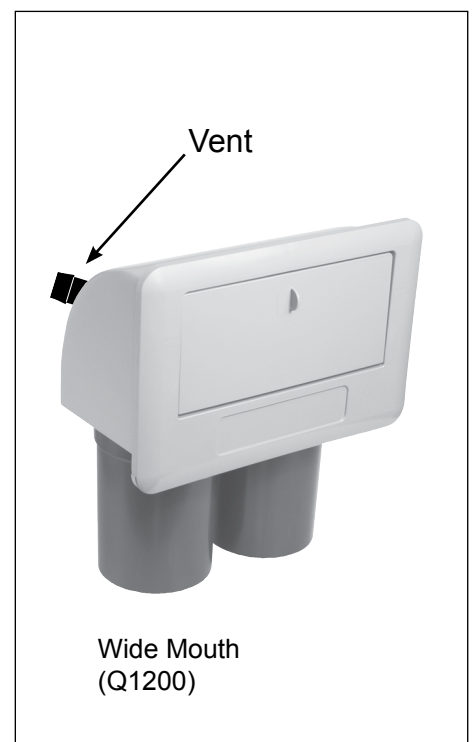
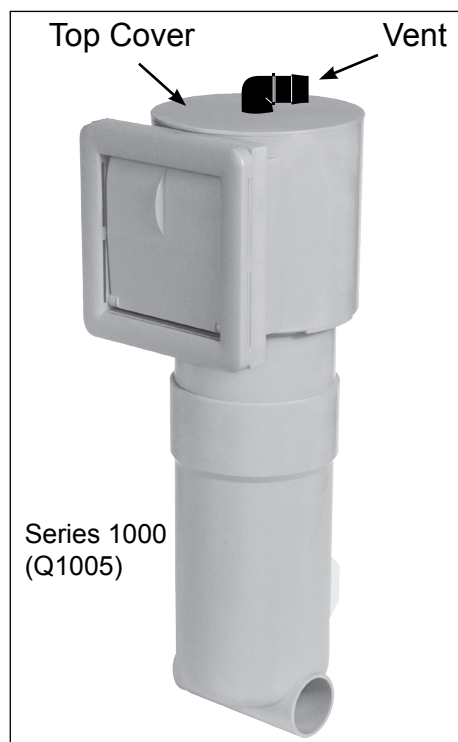
Vent to atmosphere:

Compliance to AS 1926.3 - 2010 (Section 5.4 & 5.5)

The range of Davey Skim Filter models now include a vent screwed into the top of the filter. The purpose of this vent is to provide a vacuum relief in the event the skimmer weir is fully submerged.

When the filter is fitted, connect a rigid hose line (min 20mm in diameter) and run it to a suitable location away from electrical equipment.

Note: A spa skim filter is designed to operate at a water level half way up the weir door. If the spa is filled above this level, water may escape via the vent hose.



Rainbow Pool Products

PO Box 2388, Mansfield Qld 4122

Telephone STD 61-7-3849 5385

Facsimile STD 61-7-3849 5384

Email: info@rainbowpoolproducts.com.au

Web: www.rainbowpoolproducts.com.au