

Add Ambience & Spectacular Colour to Your Spa Pool With Chain Lighting From Davey!

Features & Benefits

- Extra bright, easy to install spa lighting system with a range of colours.
- Plugs directly into Davey SP400, 600/601, 800, 1200 & Xcelsior controllers eliminating the need for a separate light control.
- Lights controlled by the Davey Spa Power touchpad.
- Interconnect "light chains" to a maximum of 60 LEDs when Davey 800 or 1200 controllers are used.
- Double POLs* and Quad POLs* available for added design flexibility.
- Light wires available in 1 or 2 metre lengths, creating flexibility for most spa pool designs.
- Program can be set to a preferred setting, eliminating the need to reset each time the spa pool is used.
- Installation into water features or steps also offer a great look.

* POL = Point of light (LED's)



1.



2.



5.



7.

Davey Spa Pool LED Lights

	Part No.	Description	Power Consumption (Watts)	Pack Size
1.	QRDL7GSL	Spa Slave Light	0.75	1 piece
2.	QRDSLH	5" Slave Light Housing	N/A	1 piece
3.	QRDPLW	POL Light Wire (1 metre)	N/A	1 piece
4.	QRDPLW2	POL Light Wire (2 metres)	N/A	1 piece
5.	QRDQUADPOL	20" Quad POL Unit (4 LEDs)	1.2	1 piece
6.	QRDDBLPOL	20" Double POL Unit (2 LEDs)	0.6	1 piece
7.	QRDMPH*100	Mini POL Housing	N/A	100 pieces
8.	K16POL	Kit includes Slave Light & housing, 2 x 1m light wire, 2 x 2m light wire & 4 x 4 LEDs (long/short)	N/A	N/A

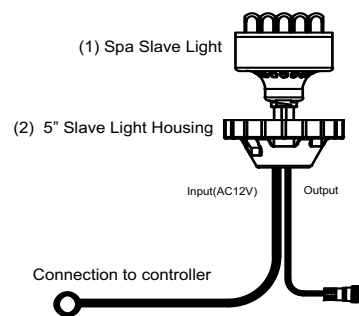
Please refer overleaf for installation guidelines.

Note: Product Limitations - Davey Spa pool lights are restricted for use with the Davey 601, 800 and 1200 controllers only.

- The 400, 600/601 and Xcelsior range are capable of using the slave light only (no light chains). Product warranty does not apply should light chains be used.
- The 800 & 1200 controllers are capable of running up to 60 POLs with a maximum draw of 1000mA.

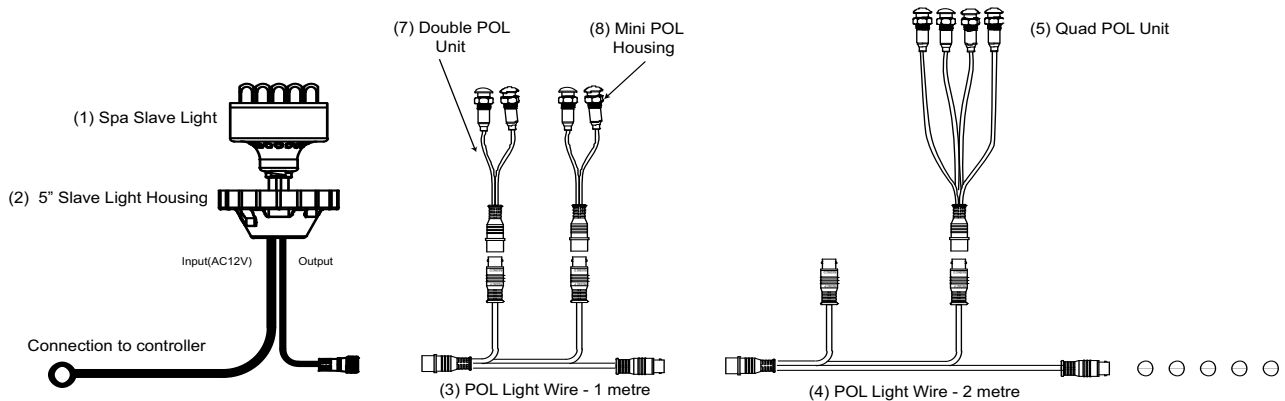
Single Light Controller - Typical Installation

Davey Spa Power 400, 600/601 & Xcelsior only
(capable of running a single slave light only)



SP800 & SP1200 Controllers - Typical Installation

Davey Spa Power 800 & 1200 Controllers
(capable of running multiple runs of lights to 1000mA)



Rainbow Pool Products

PO Box 2388, Mansfield Qld 4122

Telephone STD 61-7-3849 5385

Facsimile STD 61-7-3849 5384

Email: info@rainbowpoolproducts.com.au

Web: www.rainbowpoolproducts.com.au