

## DAVEY SPA POWER SPA CHAIN LIGHTS



### Code

### Description

QRDL7GSL	Spa Slave Light
QRD5LH	5" Slave Light Housing
QRDPLW	POL Light Wire (1 metre)
QRDPLW2	POL Light Wire (2 metres)
QRDQUADPOLL\S	20" Quad POL Unit (4 LEDs - 2 long/2 short)
QRDQUADPOL	20" Quad POL Unit (4 LEDs)
QRDDBLPOL	20" Double POL Unit (2 LEDs)
QRDMPH*100	Mini POL Housing

## Add Ambience & Spectacular Colour to Your Spa Pool With The NEW Chain Lighting System From Davey!

### Features & Benefits

- Extra bright, easy to install spa lighting system with a range of colours.
- Plugs directly into Davey SP400, 600/601, 800, 1200 & Xcelsior controllers eliminating the need for a separate light control.
- Lights controlled by the Davey Spa Power touchpad.
- Interconnect "light chains" to a maximum of 60 LEDs when Davey 800 or 1200 controllers are used.
- Double POLs\* and Quad POLs\* available for added design flexibility.
- Light wires available in 1 or 2 metre lengths, creating flexibility for most spa pool designs.
- Program can be set to a preferred setting, eliminating the need to reset each time the spa pool is used.

\* POL = Point of light (LED's)



1.



2.



6.



7.

### Davey Spa Pool LED Lights

	Part No.	Description	Power Consumption (Watts)	Pack Size
1.	QRDL7GSL	Spa Slave Light	0.75	1 piece
2.	QRDSLH	5" Slave Light Housing	N/A	1 piece
3.	QRDPLW	POL Light Wire (1 metre)	N/A	1 piece
4.	QRDPLW2	POL Light Wire (2 metres)	N/A	1 piece
5.	QRDQUADPOLL\S	20" Quad POL Unit (4 LEDs - 2 long/2 short)	1.2	1 piece
6.	QRDQUADPOL	20" Quad POL Unit (4 LEDs)	1.2	1 piece
7.	QRDDBLPOL	20" Double POL Unit (2 LEDs)	0.6	1 piece
8.	QRDMPH*100	Mini POL Housing	N/A	100 pieces

Please refer overleaf for installation guidelines.



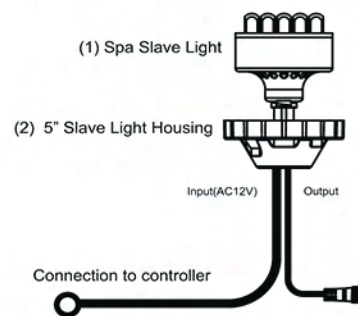
Contact the Davey Customer Service Centre on 1300 369 100 or your territory manager for further information.

**Note: Product Limitations - Davey Spa pool lights are restricted for use with the Davey 601, 800 and 1200 controllers only.**

- The 400, 600/601 and Xcelsior range are capable of using the slave light only (no light chains). Product warranty does not apply should light chains be used.
- The 800 & 1200 controllers are capable of running up to 60 POLs with a maximum draw of 1000mA.

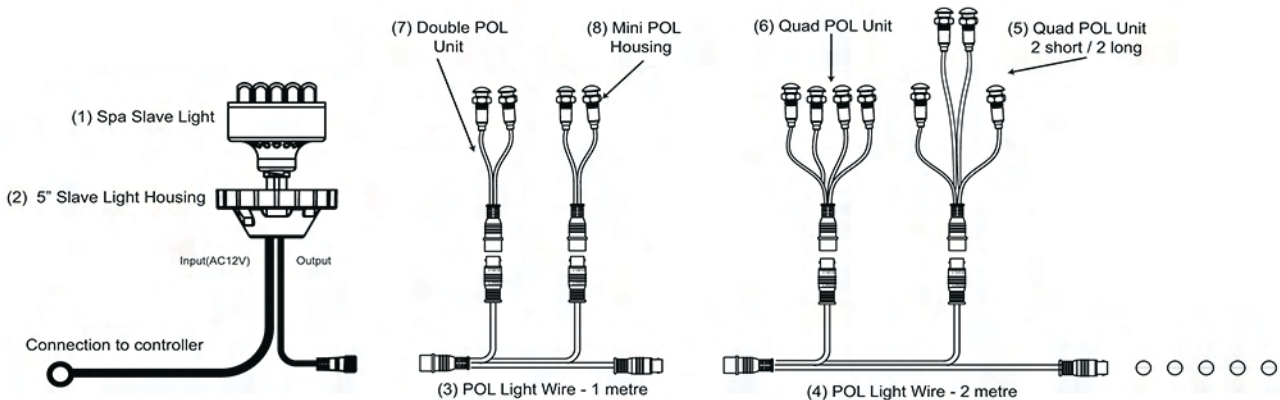
## Single Light Controller - Typical Installation

Davey Spa Power 400, 600/601 & Xcelsior only  
(capable of running a single slave light only)



## SP800 & SP1200 Controllers - Typical Installation

Davey Spa Power 800 & 1200 Controllers  
(capable of running multiple runs of lights to 1000mA)



This literature is not a complete guide to product usage. Further information is available from your Davey dealer, Davey Customer Service Centre and from the relevant product Installation and Operating Instructions. This data sheet must be read in conjunction with the relevant product Installation and Operating Instructions and all applicable statutory requirements. Product specifications may change without notice.

© Davey is a registered trademark of Davey Water Products Pty Ltd. © Davey Water Products Pty Ltd 2009.



**Davey Water Products Pty Ltd**  
Member of the GUD Group  
ABN 18 066 327 517

DEPEND ON  
**DAVEY**

SPA