

MEDIOJET-350

4 kW (50Hz)
4.6 kW (60Hz)

The standard side channel blowers/aspirators are designed to handle clean air up to a maximum of 40°C. Please contact us for special applications.

Motors construction conform with CEI 2-3 (1988) NORMS. ISOL. CL F PROT. IP 55, cCSAus certified

Made in Italy

cCSAus file nr. 242079

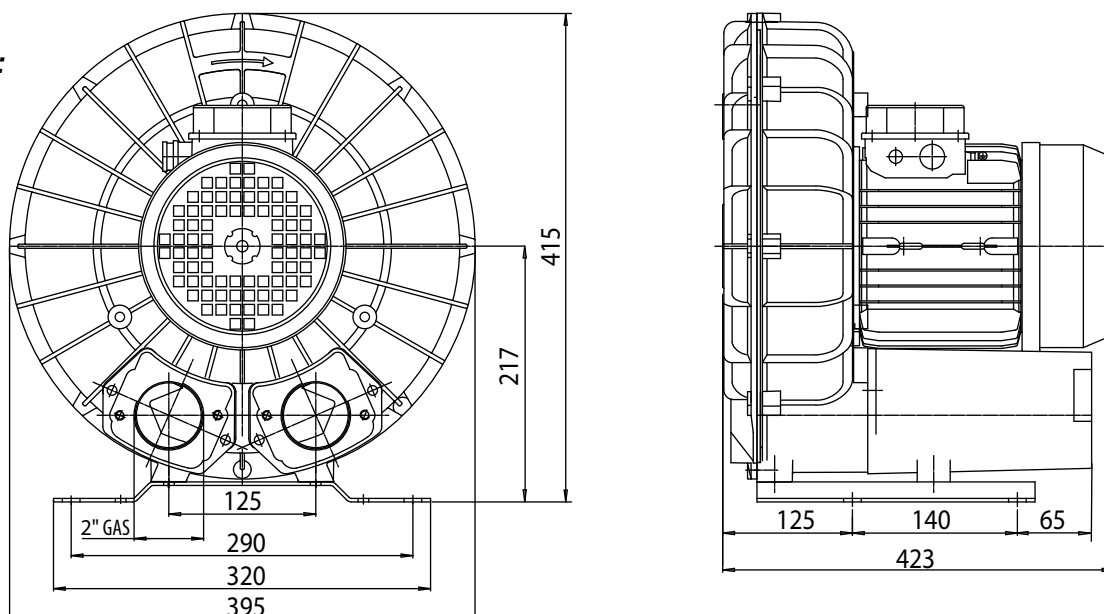


	Articolo Item code	kW	V	Hz	assorb. AMP absorbed AMPS	giri/min. r.p.m.	limite servizio max cont. duty S1 (mbar)	dB (A)*	peso (Kg) weight (Kg)
TRIFASE THREE-PHASE	061752	4	200-240 Δ 345-415 Y	50	16.7 Δ / 9.7 Y	2900	-295 +285	76	44
	061752	4.6	220-275 Δ 380-480 Y	60	17.6 Δ / 10.2 Y	3500	-265 +245	77	44

* Livello di pressione sonora rilevato secondo le Norme ISO 3746 - 1979 (E). Parametri: r=1 - Rumore di fondo 51 dB (A) - Strumento: Brüel & Kjær type 2232.

* Sound pressure level tested according to ISO regulation 3746 - 1979 (E). Parameters: r=1 - Background noise 51 dB (A) - Instrument: Brüel & Kjær type 2232.

dimensions:



Rainbow Pool Products

PO Box 2388, Mansfield Qld 4122

Telephone STD 61-7-3849 5385

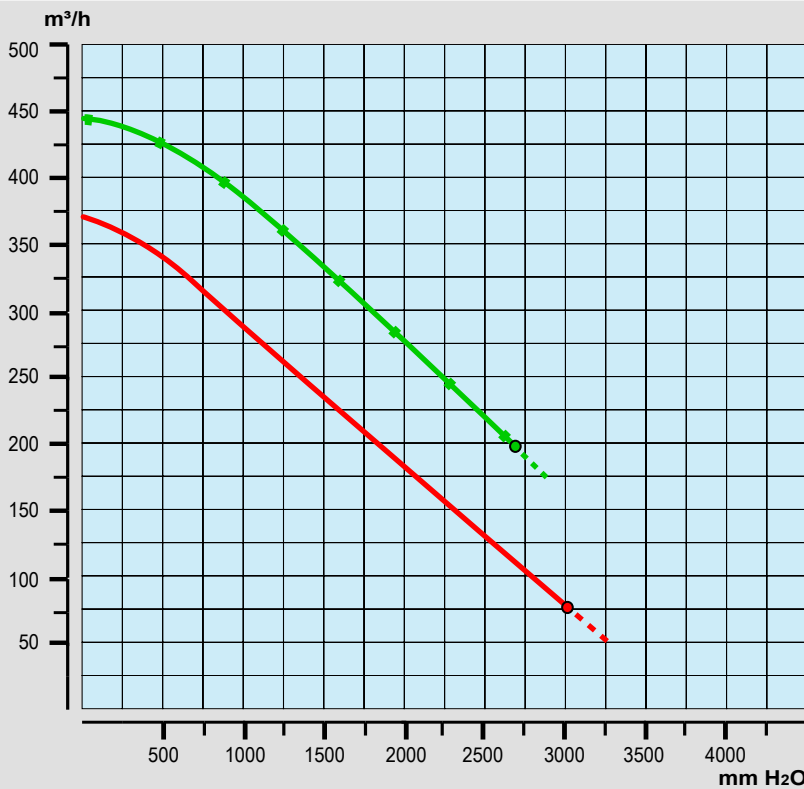
Facsimile STD 61-7-3849 5384


Email: info@rainbowpoolproducts.com.au

Web: www.rainbowpoolproducts.com.au

all dimensions are in mm

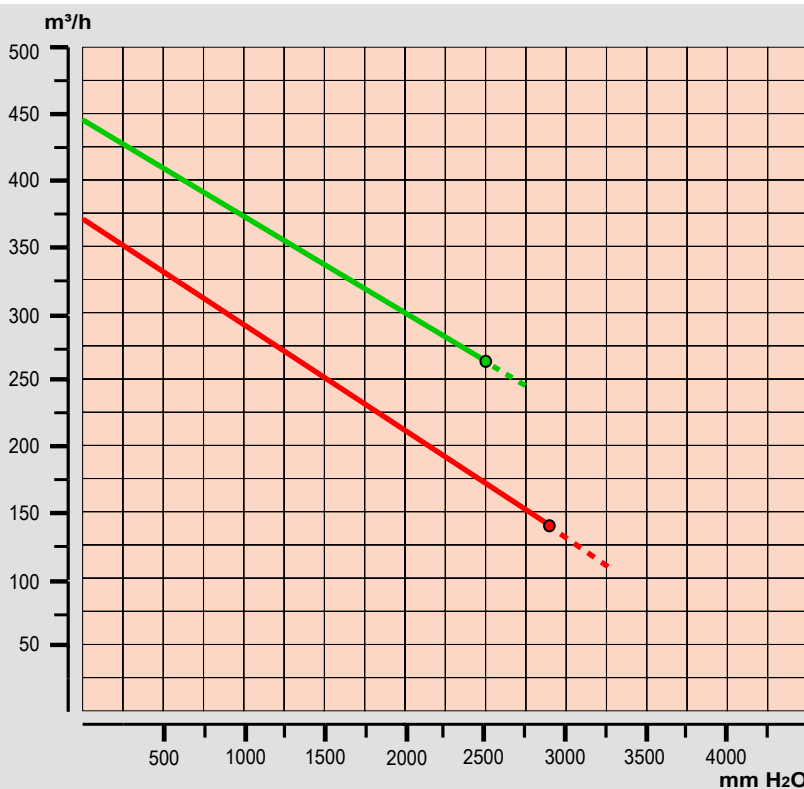
VACUUM




—■— 50 Hz
—■— 60 Hz
 Valore max di pressione per servizio continuativo
 Max value for continuous duty

PRESSURE

NE



—■— 50 Hz
—■— 60 Hz
 Valore max di pressione per servizio continuativo
 Max value for continuous duty

All data is intended as an indication and may be modified without prior notice.

The vacuum curve is valid for pumping air, with a temperature of 20°C at the inlet flange and with a pressure of 1013 mbar at the discharge port. The pressure curve is valid for pumping air, with an average temperature of 20°C and 1013 mbar at the inlet flange.

l/min = m³/h · 16,667
 CFM = m³/h · 0,588
 mbar = mm H₂O · 0,098
 PSI = mm H₂O · 0,00142