



eco
800



ECO800™ VARIABLE SPEED POOL PUMP

The Energy Saver



FEATURES & BENEFITS

The Onga Eco800 is the ideal pump for new or existing pools. Utilising advanced hydraulic design and the latest technology in permanent magnet, variable speed motors, the Onga Eco800 has the perfect combination of efficiency and performance. The Onga Eco800 delivers energy savings and the power when you need it. You will also have the peace of mind that you are doing your bit for the environment and reducing your carbon foot print.

Variable speed pump, with 3 programmable speeds, allows you to effortlessly select the most efficient setting to meet your filtration, cleaning and water feature needs.

A specially designed sound-dampening pump casing and base make pump operation incredibly quiet.

Variable Speed with 3 Programmable Settings

Axial flux, brushless, permanent magnet motor delivers high efficiency and low noise levels.

The Cam and Ramp™ lid is easy to remove and locks in place with a quarter turn, making inspection and cleaning a breeze. The high-capacity trap holds a large amount of debris, so you clean less often.

Quick-disconnect plumbing unions.

Fault protected motor prevents damage by automatically shutting down the motor in the event of a locked rotor, under voltage, over voltage or over current condition and will automatically reduce the speed during an over temperature condition.

Constructed of our durable, thermoplastic, composite resin, so you can be sure it will stand up to the harshest conditions.

Precision-fit internal components and superior hydraulic design deliver effortless performance, energy savings and extended pump life.

A heavy-duty construction and a motor rated for continuous operation make the Eco800 a tough, long-lasting performer.

8 star energy rating.

TECHNOLOGY

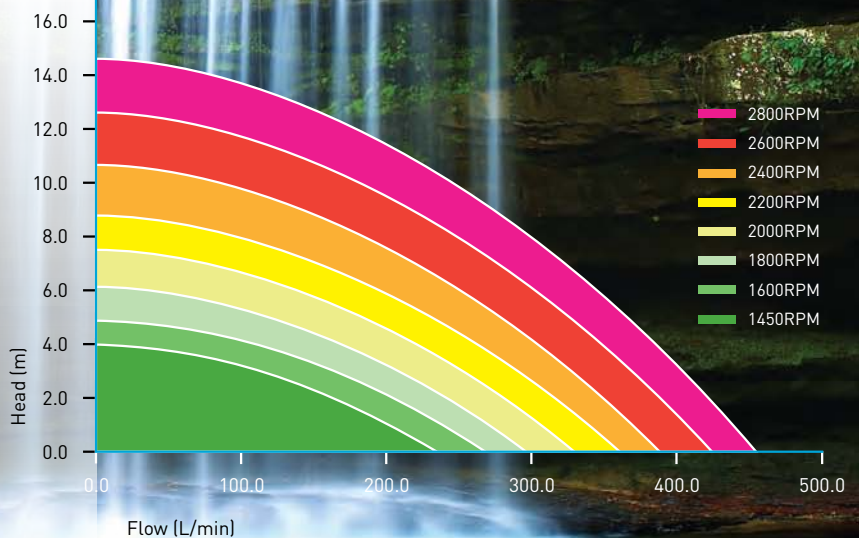
VARIABLE SPEED WITH 3 PROGRAMMABLE SETTINGS

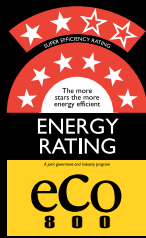
The Onga Eco800 uses an axial-flux, brushless, DC motor which offers high efficiency levels compared with conventional induction motors. Combined with the latest in electronic control, this allows the motor/pump to run at varying speeds.

- The multiple speeds offered by the Eco800 enable the pump to run slower and consume less energy but still have the ability to run at full speed if required by the application.



PERFORMANCE





EC0800™ VARIABLE SPEED POOL PUMP



PUMP DATA

	Low	Medium	High
RPM*	1450	2400	2800
Motor Input Power (P1) (max)	160W	595W	940W
Motor Output Power (P2) (max)	130W	475W	750W
Current (max)	1.3A	4.4A	6.5A
Voltage	230-240VAC 50Hz Single Phase		
Maximum Rating	2850RPM, P1 975W, P2 800W, 6.7A		
Motor type	800W BLDC TEFC		
Ingress Protection	IPX5		
Inlet connection	ABS Barrel Union to suit 50mm PVC pressure pipe		
Outlet Connection	ABS Barrel Union to suit 50mm PVC pressure pipe		
Maximum Water Temperature:	40°C		
Maximum Ambient Temperature:	55°C		

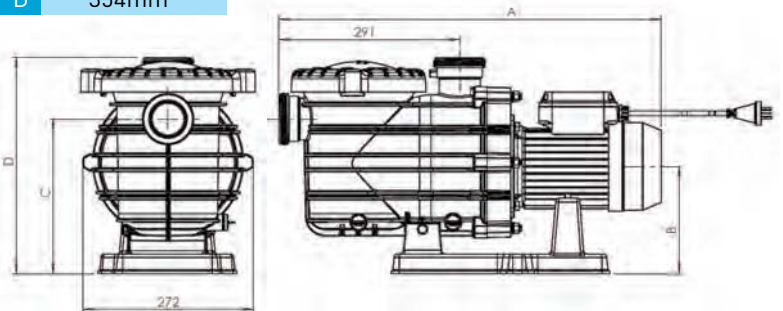
*Adjustable speed range 1000-2850RPM

MATERIAL SPECIFICATIONS

Pump Casing	Polypropylene 40% Glass Filled
Impeller	Polyphenylene Ether
Diffuser	Polypropylene 40% Glass Filled
Basket	Polystyrene
Lid	Polycarbonate
Clamp Ring	Polypropylene 20% Glass Filled
Casing O - Ring	Nitrile
Base	Polypropylene
Diffuser O - Ring	Nitrile
Lid O - Ring	Nitrile
Barrel Unions	PVC
Barrel Union O - Ring	Nitrile
Mechanical Seal	3/4" Type 6 Carbon - Ceramic, S/S, Nitrile
Motor	Aluminium Alloy
Supply Cord	H07RNF 3G 1mm, 2m
Bearings	6302, 6303

DIMENSIONS

A	637mm
B	179mm
C	256mm
D	354mm



Rainbow Pool Products

PO Box 2388, Mansfield Qld 4122

Telephone STD 61-7-3849 5385

Facsimile STD 61-7-3849 5384

Email: info@rainbowpoolproducts.com.au

Web: www.rainbowpoolproducts.com.au