



onga

Pentair Water

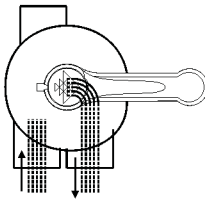
FUNCTIONS OF VALVE POSITIONS

Valve Position	Function
FILTER	Normal Filtration and Vacuuming
BACKWASH	Cleaning Filter by reversing the flow
RINSE	Used after backwash to flush dirt from valve
WASTE	By-passes filter, used for vacuuming to waste or lowering water level
RECIRCULATE	By-passes filter for circulating water to pool
CLOSED	Shuts off all flow to filter or pool

WARNING: TURN PUMP OFF BEFORE ADJUSTING VALVE

FILTER

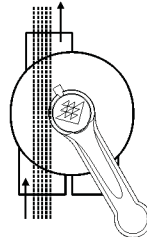
WASTE



IN FLOW OUT FLOW

WASTE

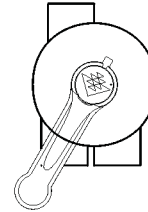
WASTE



IN FLOW OUT FLOW

CLOSED

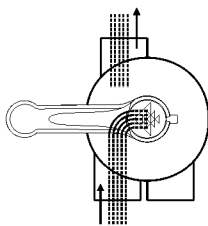
WASTE



IN FLOW OUT FLOW

BACKWASH

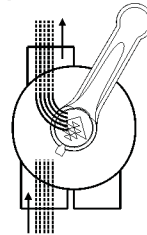
WASTE



IN FLOW OUT FLOW

RINSE

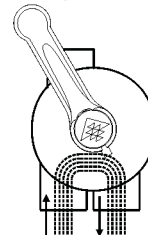
WASTE



IN FLOW OUT FLOW

RECIRCULATE

WASTE



IN FLOW OUT FLOW

GENERAL

1. Pipe tap boss provided for optional influent pressure gauge.
2. SERVICING VALVE(Stop pump,close gate valve in suction&discharge before proceeding):
 - a. Set handle in filter position.
 - b. Remove cover screws.
 - c. Lift cover and key assembly out.

TO ASSEMBLE:

1. Place valve key so that wedge opening is at TOP port (handle in Filter psn.). Flat edge of cover screw lug should align with flat edge of body screw lug.
2. Position cover O'Ring.
3. Secure assembly to body with cover screws. Tighten cover screws evenly and alternately. Do not over-tighten.

WARNING

- ⚠ THIS FILTER OPERATES UNDER HIGH PRESSURE. WHEN ANY PART OF THE CIRCULATING SYSTEM (e.g., CLAMP, PUMP, FILTER, VALVES, ETC.) IS SERVICED, AIR CAN ENTER THE SYSTEM AND BECOME PRESSURIZED . PRESSURIZED AIR CAN CAUSE THE LID OR VALVE TO BE BLOWN OFF WHICH CAN RESULT IN SEVERE INJURY, DEATH, OR PROPERTY DAMAGE
- ⚠ TURN PUMP OFF BEFORE CHANGING VALVE POSITION.
- ⚠ TO PREVENT DAMAGE TO THE PUMP AND FOR PROPER OPERATION OF THE SYSTEM, CLEAN PUMP STRAINER AND SKIMMER BASKETS REGULARLY.
- ⚠ DO NOT UNSCREW SCREWS OF FLANGE CLAMP WHILE PUMP IS RUNNING.

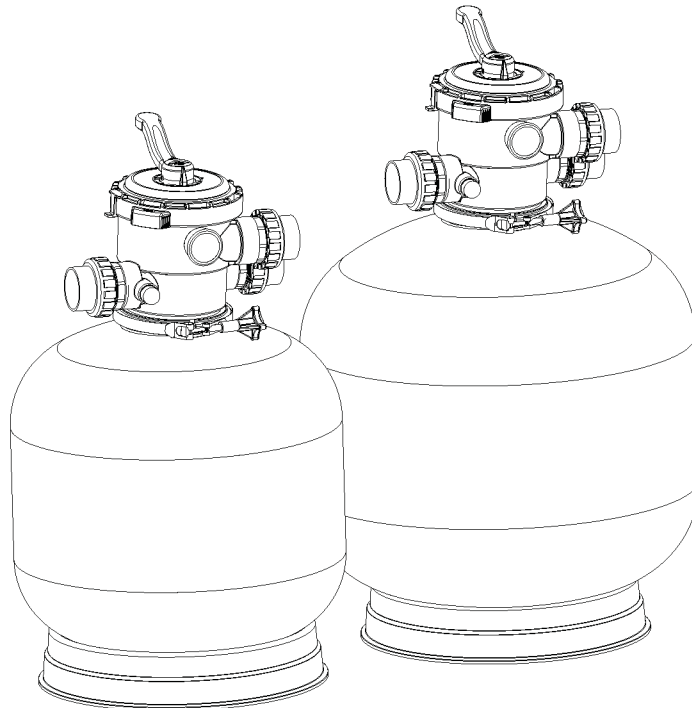


onga

Pentair Water

Models: LSFII-25-50, LSFII-28-50

Fibreglass Sand Filter



FUNCTION

The filter uses special filter sand to remove dirt particles from pool water. The filter sand is loaded into the filter tank and functions as a permanent dirt removing media. When the control valve is in the FILTER position, the pool water which contains suspended dirt particles, is pumped through your piping system and is automatically directed by the patented filter control valve to the top of the filter tank. As the pool water is pumped through the filter, dirt particles are trapped by the sand bed, and filtered out. The cleaned pool water is returned from the bottom of the filter tank, through the control valve and back to the pool through the piping system. This entire sequence is continuous and automatic. It provides for total recirculation of pool water through your filter and piping system.

After a period of time, the accumulated dirt in the filter causes a resistance to flow, and the flow diminishes. This means it is time to clean your filter. With the control valve in the BACKWASH position, the water flow is automatically reversed through the filter so that it is directed to the bottom of the tank, up through the sand, flushing the previously trapped dirt and debris out the waste line. Once the filter is back-washed of dirt, set control valve to RINSE position and run pump for about 1/2 to 1 minute, and then set the control valve in the FILTER position, to resume normal filtering.

NOTE: Turn pump off before changing valve position.

INSTALLATION

Only simple tools (screwdriver and wrenches), plus pipe sealant for plastic adapters, are required to install and service the filter.

1. The filter should be placed on a level concrete slab, very firm ground, or equivalent. The filter should be placed in the correct position so that the piping connections, control valve are convenient and accessible for operation and service.
2. Loading the sand media. Filter sand media is loaded through the top opening of the filter.
 - a. Loosen the flange clamp and remove filter control valve (if previously installed).
 - b. Cap internal pipe with plastic cap to prevent sand from entering it.
 - c. We recommend filling the tank approximately 1/2 way with water to provide a cushion effect when the filter sand is poured in. This helps protect the under-drain laterals from excessive shock.
 - d. Carefully pour in correct amount and grade of filter sand. (Be sure center pipe remains centered in opening.) Sand surface should be leveled and should come to about the middle of the filter tank. Remove plastic cap from internal pipe.

PTFI13022161

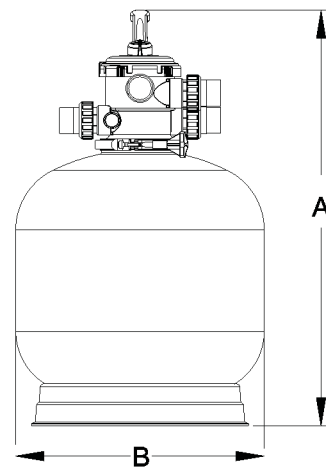


3. Assemble filter control valve into the filter tank.
 - a. Insert filter control valve (with O'ring in place) into the tank neck, taking care that the center pipe slips into the hole in the bottom of the valve.
 - b. Place two plastic clamps around valve flange and tank flange and tighten just enough so that the valve may be rotated on tank for final positioning.
 - c. Carefully screw pressure gauge (with O'ring in place) into tapped hole in valve body. Do not over-tighten.
 - d. Connect pump to control valve opening marked PUMP. After connections are made, tighten valve flange clamps with screwdriver, tapping around clamp with screwdriver handle to help seat valve flange clamp.
4. Make return to pool pipe connection to control valve opening marked RETURN and complete other necessary plumbing connections, suction lines to pump, waste, etc.
5. Make electrical connections to pump per pump instructions.
6. To prevent water leakage, make sure all pipe connections are tight.

MAIN DIMENSION

DIMENSION TABLE

Model	High mm A	Diameter mm B	Valve Port Size Inch	Sand kg
LSFII-25-50	985	635	2.0"	160
LSFII-28-50	1050	723	2.0"	200



INSTALL/START-UP OF FILTER

1. Make sure the correct amount of filter media sand is located in the tank and all connections have been connected and secured.
2. Depress control valve handle and rotate to BACKWASH position. (To prevent damage to control valve seal, always depress handle before turning.)
3. Prime and start pump according to pump instructions (be sure all suction and return lines are open), allowing the filter tank to fill with water. Once water is flowing out of the waste line, run the pump for at least 1 minute. The initial back-washing of the filter is recommended to remove any impurities or fine sand particles in the sand media.
4. Turn pump off and set valve to RINSE position. Start pump and operate until water in sight glass is clear, about 1/2 to 1 minute. Turn pump off and set valve to FILTER position and restart pump. The filter is now operating in the normal filter mode, filtering dirt particles from the pool water.
5. Adjust pool suction and return valves to achieve desired flow. Check system and filter for water leaks and tighten connections, bolts, nuts, as required.
6. Note the initial pressure gauge reading when the filter is clean. (It will vary from pool to pool depending upon the pump and general piping system.) As the filter removes dirt and impurities from the pool water, the accumulation of dirt in the filter will cause the pressure to rise and diminish the water flow. When the pressure gauge reading is 1.5 bar, higher than the initial "clean" pressure you noted, it is time to backwash the filter (see BACKWASH under filter and control valve functions).

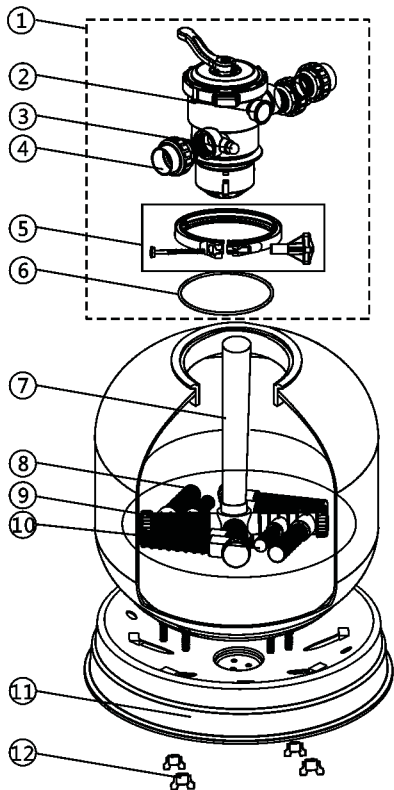
NOTE: During initial clean-up of the pool water it may be necessary to backwash frequently due to the unusually heavy initial dirt load in the water.



ongga®

Pentair Water

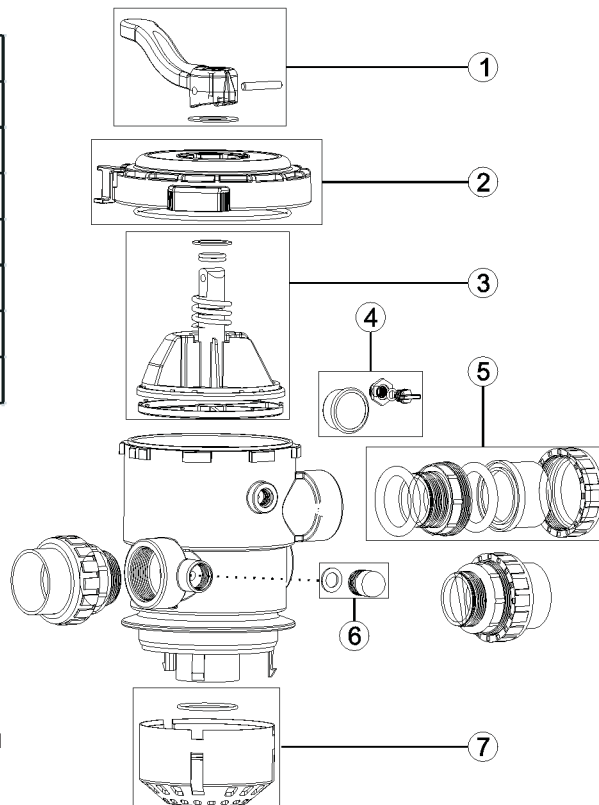
REPLACEMENT PARTS OF FILTER



Key No.	Part No.	Product Description	Qty
1	88281506	2" Top Mount Valve	1
2	89280705	Pressure gauge Assembly	1
3	89280104	Sight glass assembly	1
4	89280110	2" Union	3
5	89010126	Stainless Steel Clamp Assembly	1
6	02011134	O-Ring for Filter Neck	1
7	89010124	LSFI-25-50 Standpipe with hub	1
	89010125	LSFI-28-50 Standpipe with Hub	1
8	01172010	Laterals (185mm)	4
9	89012516	Laterals bracket	4
10	01172007	Laterals (115mm)	4
11	01112074	LSFI-25-50/LSFI-28-50 Filter Base	1
12	01181052	Fastener for Filter Base	4

REPLACEMENT PARTS OF MULTIPORT VALVE

Key No.	Part No.	Product Description	Qty
1	89280702	MPV Handle Assembly	1
2	89280809	Lid Assembly 2" MPV	1
3	89280810	Seal Rotor and Gasket Kit 2" MPV	1
4	89280705	Pressure gauge Assembly	1
5	89280110	2" UNION	3
6	89280104	Sight glass assembly	1
7	89280811	Diffuser Assembly 2"	1



Rainbow Pool Products

PO Box 2388, Mansfield Qld 4122

Telephone STD 61-7-3849 5385

Facsimile STD 61-7-3849 5384

Email: info@rainbowpoolproducts.com.au

Web: www.rainbowpoolproducts.com.au