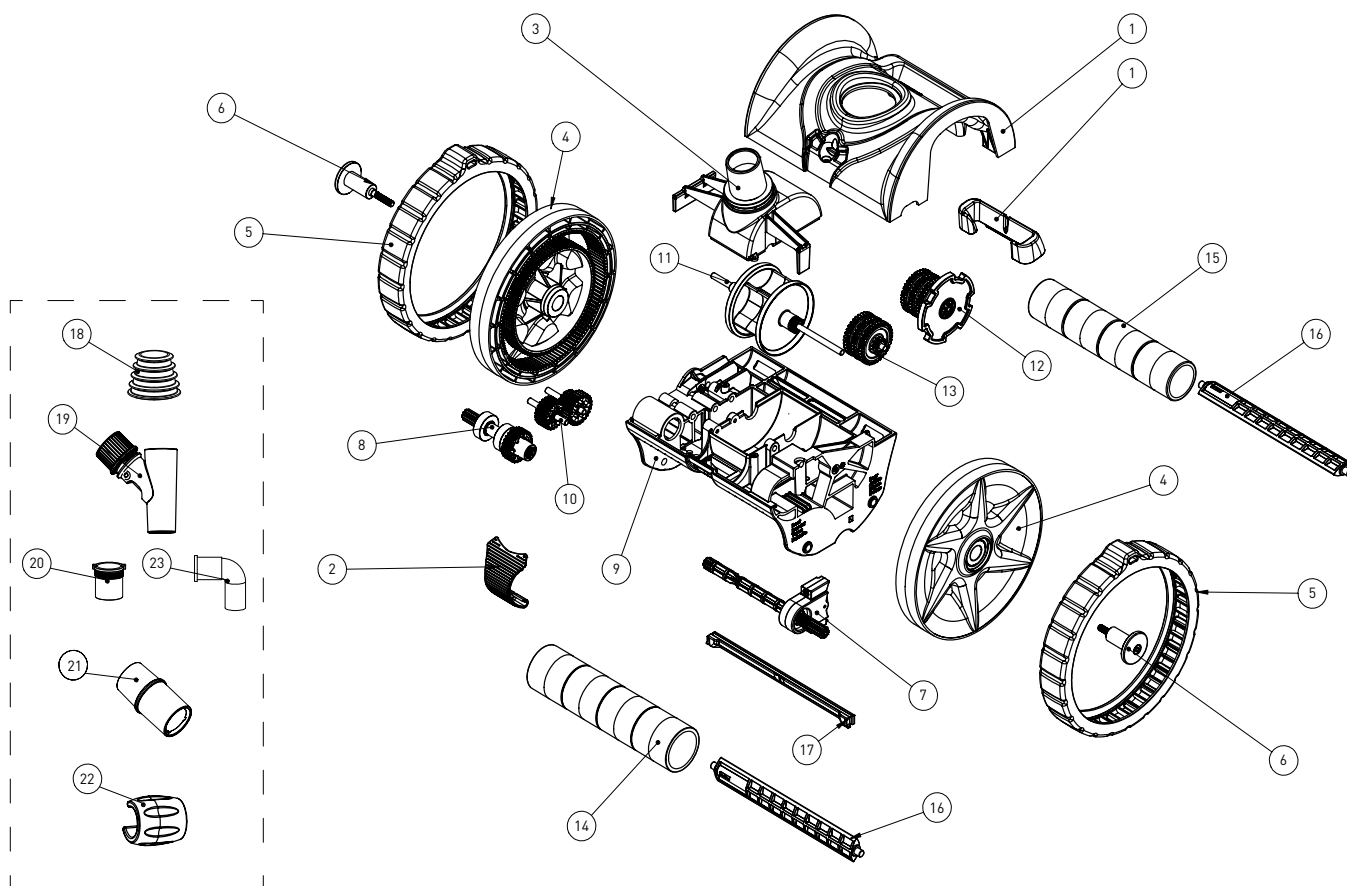


# REPLACEMENT PARTS



Item Number	P/N	DESCRIPTION
1	360283	Top Cover Kit
2	360284	Buckle Kit
3	360285	Swivel Kit
4	360286	Wheel Kit
5	360287	Tire Kit
6	360288	Wheel Hub Kit
7	360289	Left Drive Kit
8	360290	Right Drive Kit
9	360291	Bottom Cover Kit
10	360292	Drive Gear Kit
11	360293	Turbine Kit
12	360294	Cam Kit
13	360295	Cam Gear Kit
14	360296	Front Roller Kit

Item Number	P/N	DESCRIPTION
15	360297	Rear Roller Kit
16	360298	Roller Bar Kit
17	360299	Wear Bar Kit
18	K1023	Reducer Cone
19	K1026	Regulator Valve
20	K1062	Threaded Adaptor
21	K1027	Flow Gauge
22	360300	Hose Float
23	K1061	Elbow
Not Shown	BS59610	Sectional Hose
Not Shown	GW7911	Leader Hose



## Rainbow Pool Products

PO Box 2388, Mansfield Qld 4122

Telephone STD 61-7-3849 5385

Facsimile STD 61-7-3849 5384

Email: [info@rainbowpoolproducts.com.au](mailto:info@rainbowpoolproducts.com.au)

Web: [www.rainbowpoolproducts.com.au](http://www.rainbowpoolproducts.com.au)