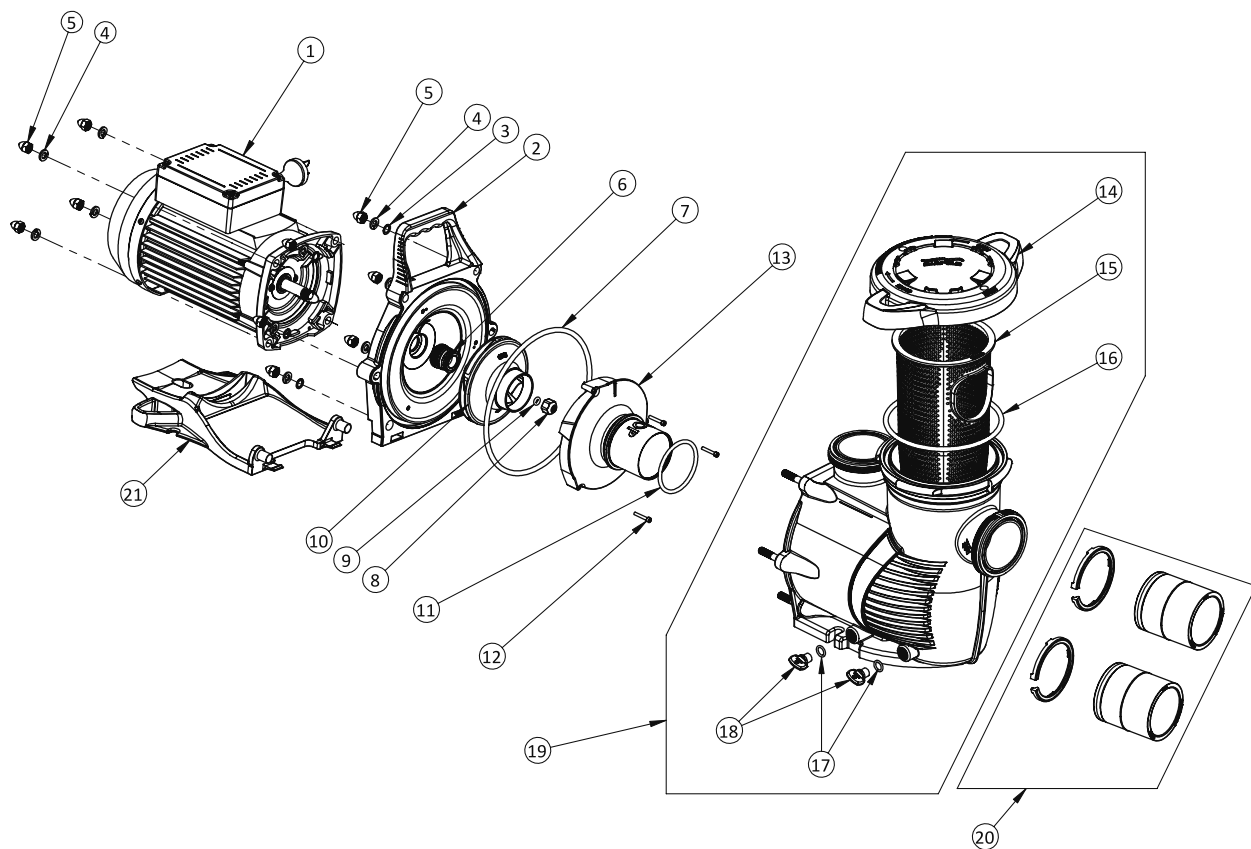


WHISPERFLO XF™ PUMP

REPLACEMENT PARTS



Item	Part No.	Description
WHISPERFLO XF PUMP		
1	801482 (405694)	MOTOR
2	401002	SEAL PLATE
3	See Pump Fasteners Kit	WASHER FLAT
4	See Pump Fasteners Kit	WASHER SPLIT
5	See Pump Fasteners Kit	NUT ACORN
	801294	PUMP FASTENERS KIT (INCLUDES 3, 4 & 5) x6
6	37400-0028s	MECHANICAL SEAL
7	351446	O-RING SEAL PLATE
8	See Impeller Kit	SCREW IMPELLER LOCKING
9	See Impeller Kit	O-RING IMPELLER LOCKING SCREW
10	See Impeller Kit	IMPELLER
	801293	IMPELLER KIT (INCLUDES ITEM 8, 9 & 10)
11	See Diffuser Kit	O-RING DIFFUSER
12	See Diffuser Kit	SCREW DIFFUSER
13	See Diffuser Kit	DIFFUSER

Item	Part No.	Description
	801292	DIFFUSER KIT (INCLUDES ITEM 11, 12x2, 13)
14	401006	LID/LOCKING RING
15	400007z	BASKET
16	35505-1440	O-RING LID
17	192115	O-RING DRAIN PLUG
18	357161	DRAIN PLUG
19	401000	PUMP CASING ASSEMBLY
20	707456	BARREL UNION KIT
21	401004	MOTOR BASE



Rainbow Pool Products

PO Box 2388, Mansfield Qld 4122
 Telephone STD 61-7-3849 5385
 Facsimile STD 61-7-3849 5384
 Email: info@rainbowpoolproducts.com.au
 Web: www.rainbowpoolproducts.com.au