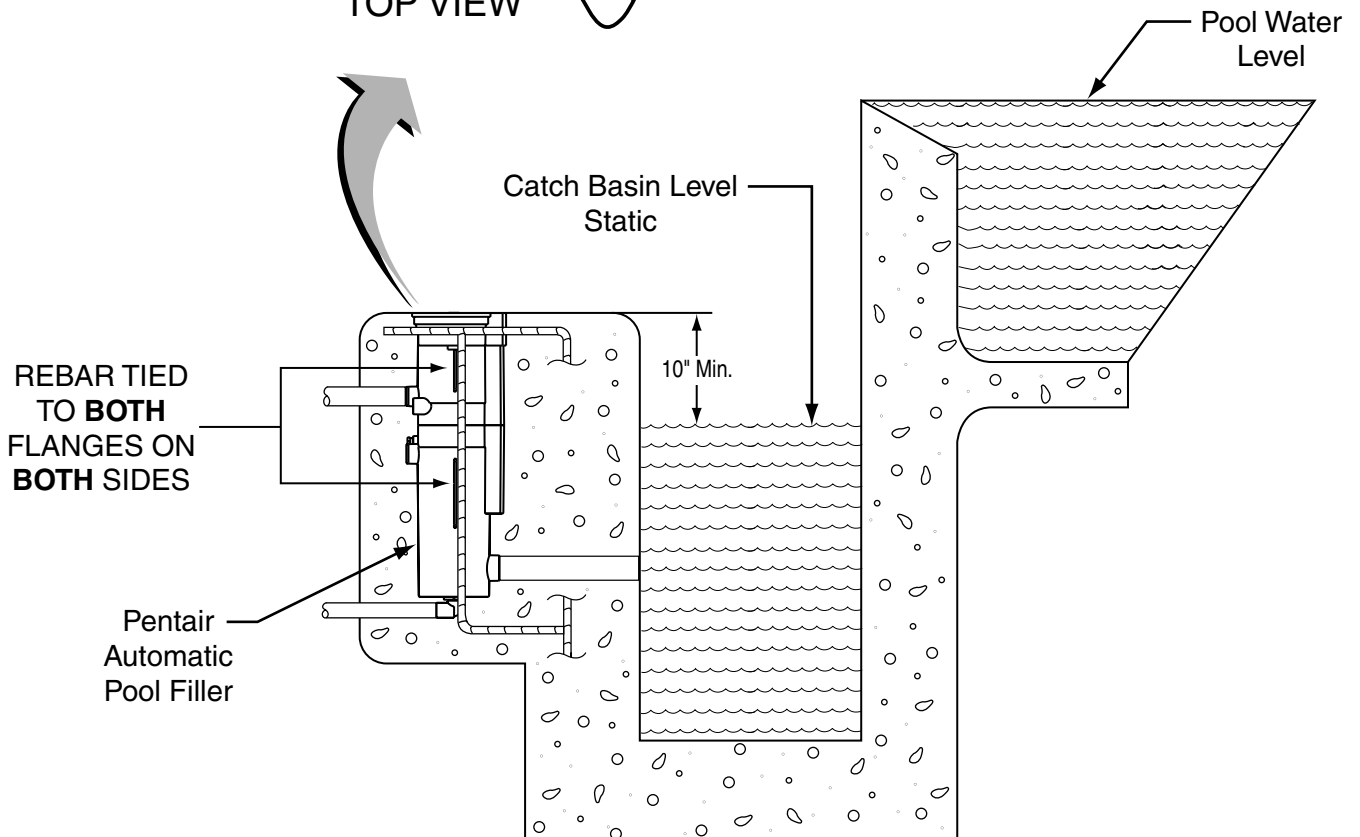
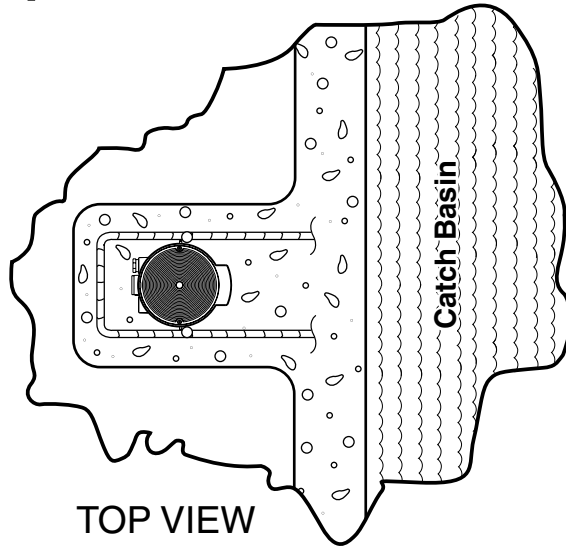




**Pentair Water**  
Pool and Spa™

# AUTOMATIC POOL FILLER

MODEL #T40-FN  
VANISHING EDGE



## WARNING

To maintain the structural integrity of the AutoFill body, it must be **completely** encased in the catch basin wall and tied to the wall rebar as shown.



## Rainbow Pool Products

PO Box 2388, Mansfield Qld 4122

Telephone STD 61-7-3849 5385

Facsimile STD 61-7-3849 5384

Email: [info@rainbowpoolproducts.com.au](mailto:info@rainbowpoolproducts.com.au)

Web: [www.rainbowpoolproducts.com.au](http://www.rainbowpoolproducts.com.au)

P/N 370009  
Rev. B