

AUTOMATIC WATER FILLERS

WATER LEVEL CONTROL



Automatic Water Fillers

Featured Highlights

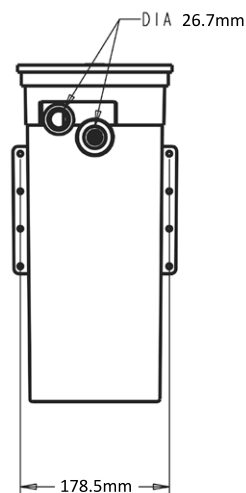
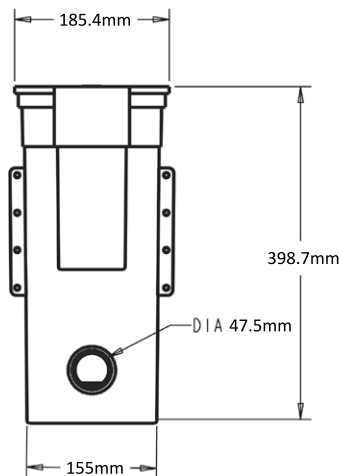
- Available for standard in-ground and vanishing edge pools
- Prevents equipment damage due to low water levels
- No electronic controls
- Prevents water waste and landscape damage due to overfilling pool
- Available with white, black, grey, and almond colored lids

Ordering Information

Product	Description	Carton Dimensions (mm)	Pallet Qty	Carton Wgt. (kg)
FLUIDMASTER VALVE AUTOMATIC WATER FILLERS				
T40FB	AutoFill w/ Fluidmaster® valve, almond			
T40FBK	AutoFill w/ Fluidmaster valve, black			
T40FW	AutoFill w/ Fluidmaster valve, white			
STANDARD AUTOMATIC WATER FILLERS				
10230000	Onga Auto Refill Valve			

Dimensions

Small Filler Dimensions



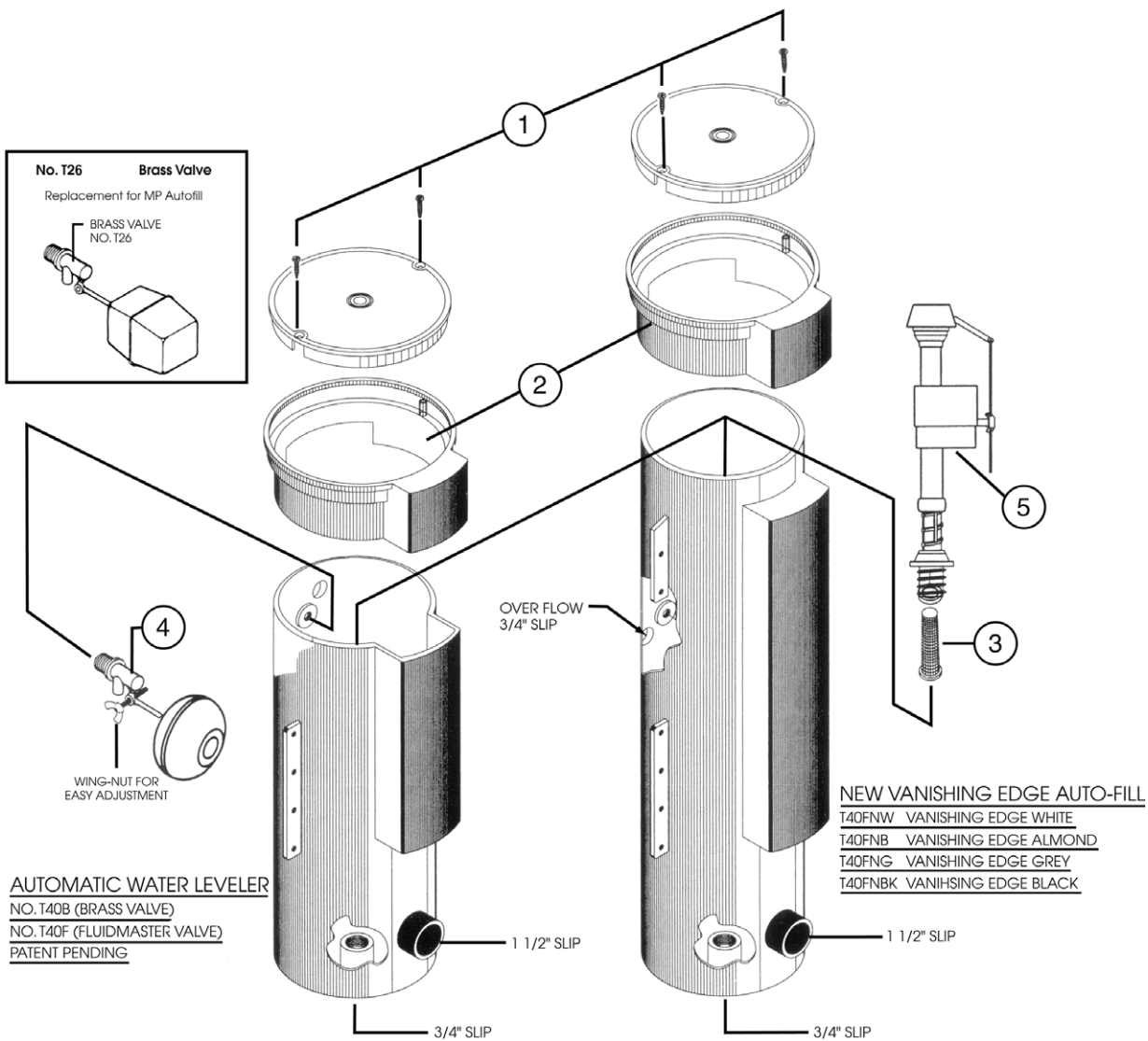
Fluidmaster Valve

*All dimensions in mm.

See page 183 for replacement parts.

AUTOMATIC WATER FILLERS

REPLACEMENT PARTS



Item	Part No.	Description
AUTOMATIC WATER FILLERS		
1	T10W	AutoFill lid, with screws, white
1	T10B	AutoFill lid, with screws, almond
1	T10BK	AutoFill lid, with screws, black
2	T16W	AutoFill top ring, white
2	T16B	AutoFill top ring, almond
2	T16BK	AutoFill top ring, black
3	T24	Debris screen w/washer
5	T29	Fluidmaster® valve