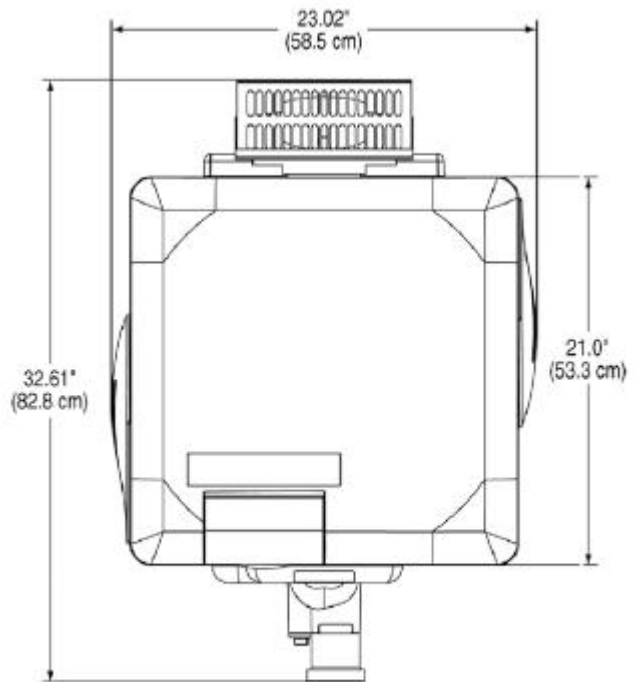
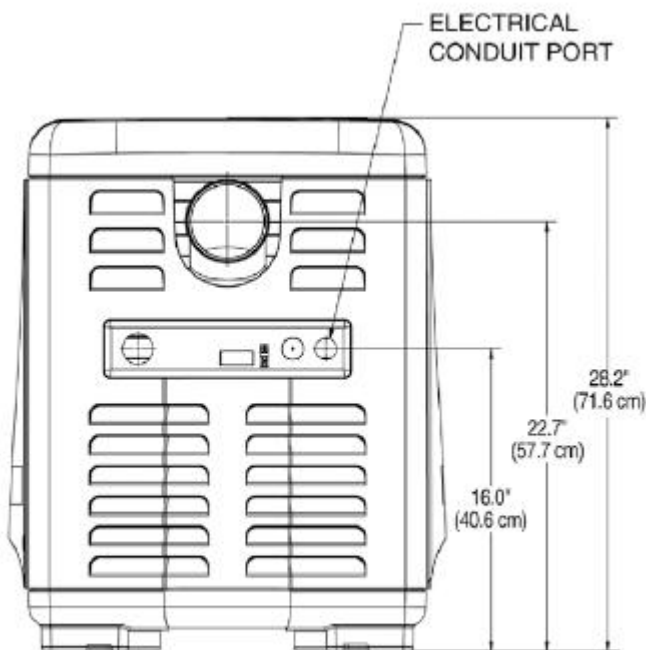


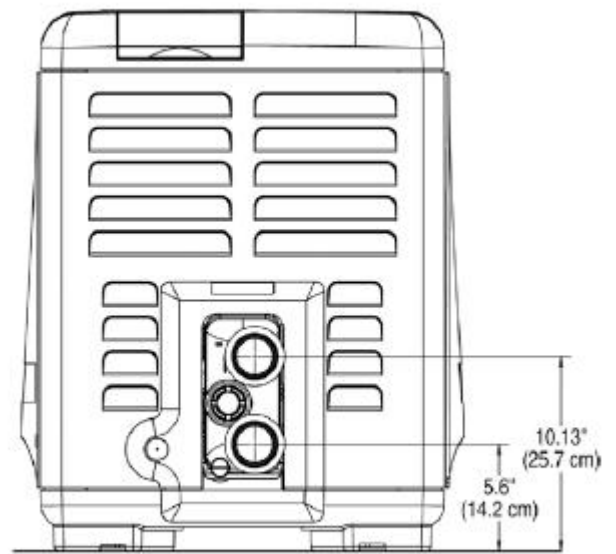
▲ FRONT



▲ TOP



▲ EXHAUST SIDE



▲ PLUMBING SIDE



Rainbow Pool Products

PO Box 2388, Mansfield Qld 4122

Telephone STD 61-7-3849 5385

Facsimile STD 61-7-3849 5384

Email: info@rainbowpoolproducts.com.au

Web: www.rainbowpoolproducts.com.au