

# SYSTEM:3<sup>®</sup> D.E. FILTERS

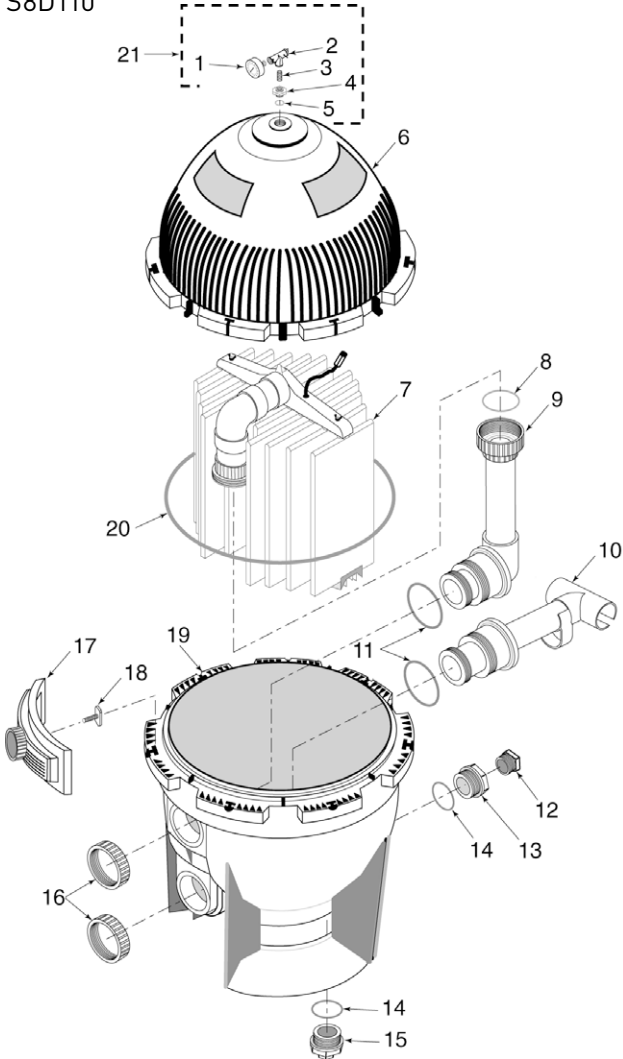
## SD SERIES REPLACEMENT PARTS



### MODELS

S7D75

S8D110

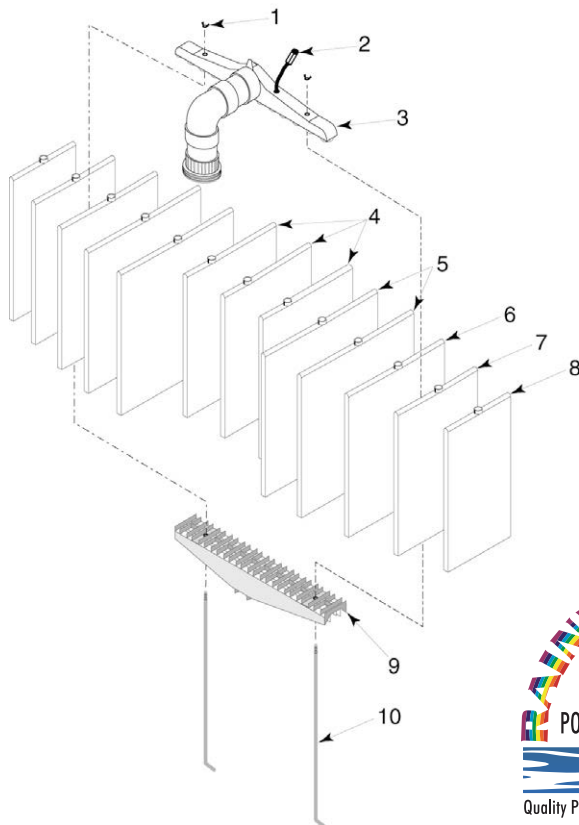
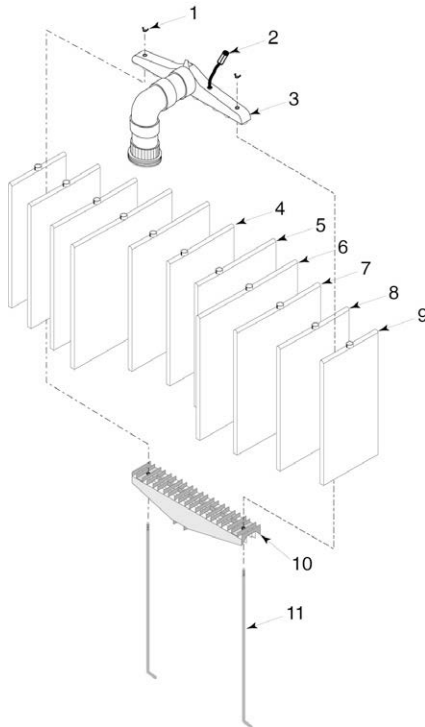


Item	Part No.	Description
<b>SYSTEM:3 D.E. FILTERS</b>		
1	33600-0023T	2 in. Gauge
2	154689	Air Release Valve
3	35202-0959	Nipple
4	24900-0504	Adapter Bushing
5	35505-1423	O-Ring
6	24851-9000	Upper Tank Shell Kit, S7D75
6	24851-9001	Upper Tank Shell Kit, S8D110
7	23900-1220S	Filter Assembly, S7D75
7	23900-1221S	Filter Assembly, S8D110
8	U9-362	O-Ring
9	23911-0102	Outlet Assembly
10	23911-0100	Inlet Assembly, S7D75
10	23911-0101	Inlet Assembly, S8D110
11	35505-1425	O-Ring
12	27001-0022	1-1/2 in. NPT Plug
13	24900-0509	Adapter Fitting
14	35505-1424	O-Ring
15	24900-0503	Drain Plug
16	24752-0050	Bulkhead Retaining Nut
17	24850-0200	Clamp Assembly <sup>1</sup>
18	24850-0010	Clamp Bolt <sup>1</sup>
19	24850-0102S	Lower Tank Shell, S7D75
19	24851-0103S	Lower Tank Shell, S8D110
20	24850-0008	Cord Ring, S7D75
20	24850-0009	Cord Ring, S8D110
21	24850-0105	Valve & Gauge Assembly (Includes #8, 9, 11, 16)
<b>NOT SHOWN</b>		
	24850-0016	Clamp Retaining Ring
	U212-252DS	Brass Deluxe Air Bleed (optional)
	25021-1021	System3 DE Conversion Kit (Includes #8, 9, 10, 11, 16) - S7D75 - should also purchase item #7 separately.
	25021-1025	System3 DE Conversion Kit (Includes #8, 9, 10, 11, 16) - S8D110 - should also purchase item #7 separately.

<sup>1</sup> Model S7D75 uses seven (7) clamps and bolts; Model S8D110 uses eight (8).

# SYSTEM:3® D.E. FILTER ELEMENT ASSEMBLIES

## SD SERIES REPLACEMENT PARTS



Item	Part No.	Description
<b>FILTER ELEMENT ASSEMBLY FOR S7D75</b>		

1	35402-0074Z	Wing Nut
2	24800-0120	Air Bleed Assembly
3	24800-0100	Manifold
4	23900-1171	Covered Element 12-7/16 in.
5	23900-1170	Covered Element 13-13/16 in.
6	23900-0033	Covered Element 16-1/2 in.
7	23900-1174	Covered Element 15-3/16 in.
8	23900-1175	Covered Element 12-7/16 in.
9	23900-1173	Covered Element 9-11/16 in.
10	23900-0350	Element Grid Support
11	23900-0039	Rod

<b>FILTER ELEMENT ASSEMBLY FOR S8D110</b>		
1	35402-0074Z	Wing Nut
2	24800-0120	Air Bleed Assembly
3	24801-0101	Manifold
4	23900-1172	Covered Element 16-1/2 in.
5	23900-0144	Covered Element 19-5/16 in.
6	23900-0033	Covered Element 16-1/2 in.
7	23900-1174	Covered Element 15-3/16 in.
8	23900-0032	Covered Element 11 in.
9	23901-0350	Element Grid Support
10	23900-0039	Rod



### Rainbow Pool Products

PO Box 2388, Mansfield Qld 4122

Telephone STD 61-7-3849 5385

Facsimile STD 61-7-3849 5384

Email: [info@rainbowpoolproducts.com.au](mailto:info@rainbowpoolproducts.com.au)

Web: [www.rainbowpoolproducts.com.au](http://www.rainbowpoolproducts.com.au)