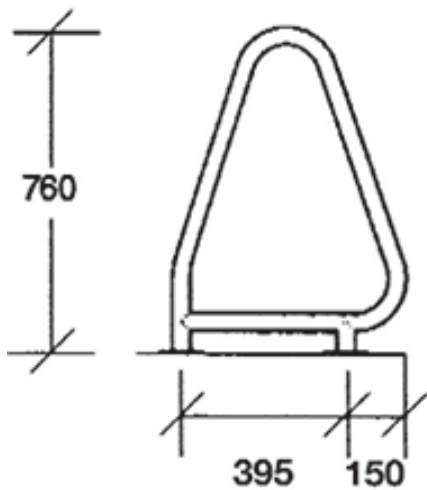




## COMMERCIAL GRAB RAILS - MODEL G6



### Model G6 Attractive Tear Drop Design

| Code   | Description                |
|--------|----------------------------|
| PDA775 | Standard for Concreting in |
| PDA776 | Flanged for Bolting on     |

## SPECIFICATIONS

### Model G6 Attractive Tear Drop Design

The Pooldeck G6 Grab Rail has been designed for the swimming pool that has vertical steps in the wall. Tear drop shape. Available with a welded flange and cover plates or standard.

**Material:** Heavy Gauge Stainless Steel 38mmø mirror polished.

**Standard:** The legs are 100 mm longer which allows you to set the grab rails in concrete or epoxy.

**Flanged:** A flange allows you to fix the grab rails to the pool deck using a bolt and plug set or similar. (3 per flange)