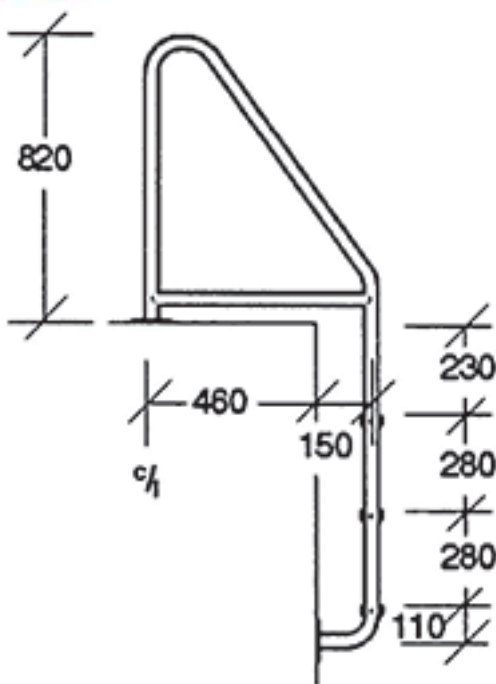




COMMERCIAL LADDER - MODEL LC



Model LC Common Ladder For Commercial Pools

Code	Description
PDA751	2 Step Standard
PDA921	2 Step with Welded Flanges - Top Only
PDA752	2 Step with Welded Flanges - Top & Bottom
PDA753	3 Step Standard
PDA922	3 Step with Welded Flanges - Top Only
PDA754	3 Step with Welded Flanges - Top & Bottom
PDA755	4 Step Standard
PDA923	4 Step with Welded Flanges - Top Only
PDA756	4 Step with Welded Flanges - Top & Bottom

SPECIFICATIONS

Model LC Common Ladder For Commercial Pools

The Pooldeck LC ladder is a popular commercial ladder which fits most applications. It features a horizontal bar bracing the frame giving it extra strength. Fitted with white moulded treads reinforced with stainless steel rod with dome nuts for extra strength, 500 mm wide c/c.

Material: Heavy Gauge Stainless Steel 38mmø mirror polished.

Standard: The legs are 100 mm longer at the top which allows you to set the ladder in concrete or epoxy and a suction buffer is fitted to the bottom of the ladder allowing it to rest on the wall without damaging it.

Flanged Top: A flange allows you to fix the Ladder to the pooldeck using a bolt and plug set or similar. (3 per flange) A flange is welded at the top and a suction buffer is fitted to the bottom allowing it to rest on the wall.

Flanged Top & Bottom: A flange allows you to fix the ladder to the pool deck using a bolt and plug set or similar. (3 per flange) A flange is welded at the top and the bottom.