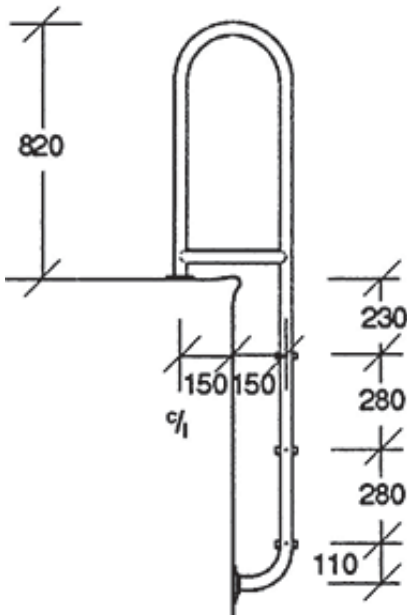


## COMMERCIAL LADDER - MODEL LUB



### Model LUB For Commercial Pools Braced Ladder

Code	Description
	Rod re-inforced moulded ladder treads 500mm wide Designed to suit pools with narrow surround.
PDA763	2 Step Standard
PDA927	2 Step with Welded Flanges - Top Only
PDA764	2 Step with Welded Flanges - Top & Bottom
PDA765	3 Step Standard
PDA928	3 Step with Welded Flanges - Top Only
PDA766	3 Step with Welded Flanges - Top & Bottom
PDA767	4 Step Standard
PDA929	4 Step with Welded Flanges - Top Only
PDA768	4 Step with Welded Flanges - Top & Bottom

## SPECIFICATIONS

### Model LUB For Commercial Pools Braced Ladder

The Pooldeck LUB ladder is a popular commercial ladder. It's suited to pools that have a narrow coping or a narrow pool deck. e.g. Close to a fence or a narrow coping. It features a horizontal bar bracing the frame giving it extra strength. Fitted with white moulded treads reinforced with stainless steel rod with dome nuts for extra strength, 500 mm wide c/c. Available with a welded flange and cover plates or standard.

**Material:** Heavy Gauge Stainless Steel 38mmø mirror polished.

**Standard:** The legs are 100 mm longer at the top which allows you to set the ladder in concrete or epoxy and a suction buffer is fitted to the bottom of the ladder allowing it to rest on the wall without damaging it.

**Flanged Top:** A flange allows you to fix the Ladder to the pooldeck using a bolt and plug set or similar. (3 per flange) A flange is welded at the top and a suction buffer is fitted to the bottom allowing it to rest on the wall.

**Flanged Top & Bottom:** A flange allows you to fix the ladder to the pool deck using a bolt and plug set or similar. (3 per flange) A flange is welded at the top and the bottom.