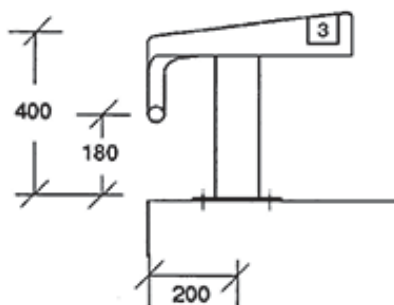


COMMERCIAL STARTING BLOCKS - MODEL SP5.F



Model SP5.F Starting Block

Code	Description
PDA791	SP5.F Flanged (only) Single column support, permanent fixed design for maximum stability.

SPECIFICATIONS

Model SP5.F Starting Block

The Pooldeck SP series of starting platforms are made of T316 polished stainless steel 38 mm \varnothing with a 500 mm x 500 mm non-slip pattern blue fibreglass top with numbers. The SP5 platform is an elegant single post design for a flat coping / concourse where a permanent installation is required.

Material: Stainless Steel 38 mm \varnothing mirror finish frame with 500mm x 500mm non-slip blue fibreglass top.

Which one is right for me: The starting platform must physically fit the coping / concourse. There is the coping height, coping width and water depth issues to address. Regulatory guidelines for competition and recreational swimming may also need to be observed. We can help choose the platform right for you. We need coping width, coping height from concourse, coping height from water level and water depth before we can recommend a platform that will suit your requirements.

Flanged: A flange allows you to fix the starting platform to the coping / concourse using a bolt and plug set or similar. (3 per flange)