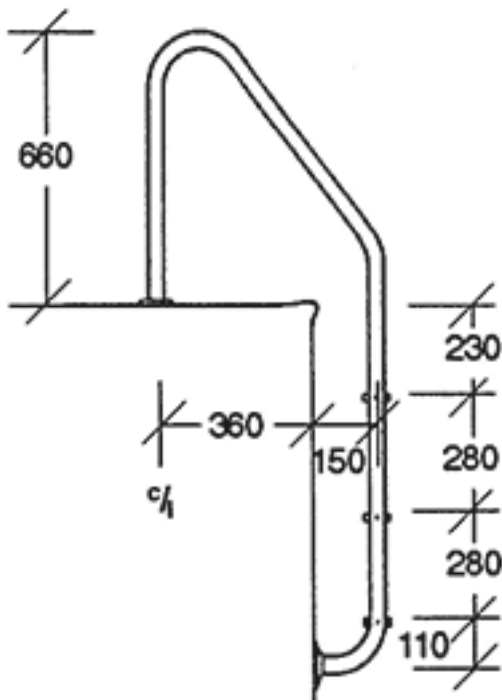




RESIDENTIAL LADDER - MODEL LS

Model LS Standard Ladder



Code	Description
	General purpose ladder suitable for most Residential & Motel Pools
PDA723	2 Step Ladder Standard - No Mounts
PDA900	2 Step Ladder with Ladder Mounting Fixture
PDA724	2 Step Ladder with Flange Mounting Kit
PDA901	2 Step Ladder with Welded Flanges - Top Only
PDA902	2 Step Ladder with Welded Flanges - Top & Bottom
PDA725	3 Step Ladder Standard - No Mounts
PDA903	3 Step Ladder with Ladder Mounting Fixture
PDA726	3 Step Ladder with Flange Mounting Kit
PDA904	3 Step Ladder with Welded Flanges - Top Only
PDA905	3 Step Ladder with Welded Flanges - Top & Bottom
PDA727	4 Step Ladder Standard - No Mount
PDA906	4 Step Ladder with Ladder Mounting Fixture
PDA728	4 Step Ladder with Flange Mounting Kit
PDA907	4 Step Ladder with Welded Flanges - Top Only
PDA908	4 Step Ladder with Welded Flanges - Top & Bottom

SPECIFICATIONS

Model LS Standard Ladder

The Pooldeck LS ladder is a popular general purpose domestic ladder which fits most applications. Fitted with white moulded treads reinforced with stainless steel rod with dome nuts for extra strength, 500 mm wide c/c. Available with a flange and cover plates or standard.

Material: Stainless Steel 38 mm \varnothing mirror polished

Standard: The legs are 100 mm longer at the top which allows you to set the ladder in concrete or epoxy and a suction buffer is fitted to the bottom of the ladder allowing it to rest on the wall without damaging it.

Flanged: A flange allows you to fix the Ladder to the pool deck using a bolt and plug set or similar (3 per flange). A flange is welded at the top and a suction buffer is fitted to the bottom allowing it to rest on the wall.

Flanged Top & Bottom: A flange allows you to fix the ladder to the pool deck using a bolt and loxin set or similar (3 bolts and 3 loxins per flange). A flange is welded at the top and the bottom.