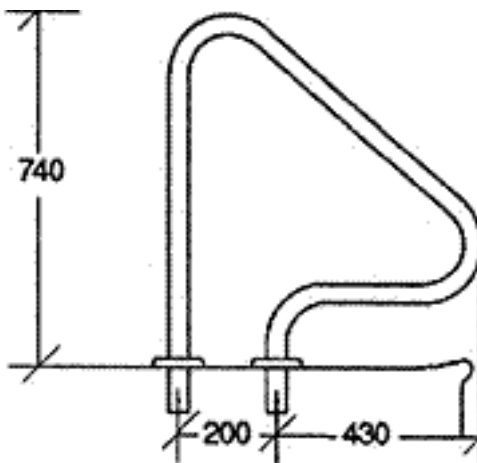


RESIDENTIAL GRAB RAILS - MODEL G1



Model G1 Figure 4 Grab Rails (Pair)

Code	Description
	Suitable for Residential and Public Pools
PDA700	G1 Standard for Concreting in
PDA701	G1 Flanged for Bolting on

SPECIFICATIONS

Model G1 Figure 4 Grab Rails (Pair)

The Pool Deck G1 Grab Rail is a popular choice. It has been designed for the swimming pool that has vertical steps in the wall. It fits most applications. Figure 4 Shape. Available with a flange with cover plates or standard.

Material: Stainless Steel 38mmø mirror polished.

Standard: The legs are 100mm longer which allows you to set the grab rails in concrete or epoxy.

Flanged: A flange allows you to fix the grab rails to the pool deck using bolts and loxins or similar (3 bolts and 3 loxins per flange).