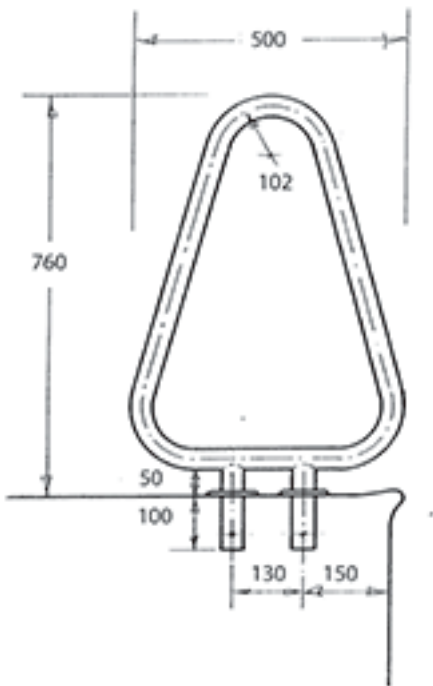


RESIDENTIAL GRAB RAILS - MODEL G3



Model G3 Tear Drop (Pair)

Code	Description
PDA930	G3 Tear Drop (Pair) Standard for Concreting in
PDA704	G3 Tear Drop (Pair) Flanged for Bolting in

SPECIFICATIONS

Model G3 Tear Drop (Pair)

The Pool Deck G3 Grab Rails are a “Tear Drop” styled rail. It has been designed for the swimming pool that has vertical steps in the wall with a narrow coping or pool deck. Available with a flange with cover plates or standard.

Material: Stainless Steel 38 mmø mirror polished

Standard: The legs are 100mm longer which allows you to set the grab rails in concrete or epoxy.

Flanged: A flange allows you to fix the grab rails to the pool deck using bolts and loxins or similar (3 bolts and 3 loxins per flange).