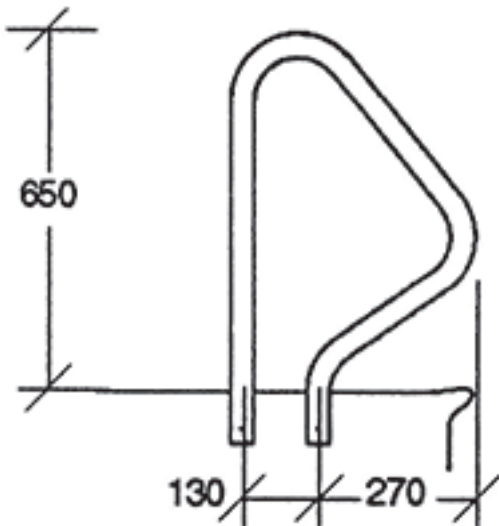


RESIDENTIAL GRAB RAILS - MODEL G4



Model G4 D Style Grab Rails (Pair)

Code	Description
	Suitable for Residential Pools with narrow surround.
PDA705	G4 Standard for concreting in
PDA706	G4 Flanged for Bolting in

SPECIFICATIONS

Model G4 D Style Grab Rails (Pair)

The Pooldeck G4 Grab Rails are a "D" styled rail. It has been designed for the swimming pool that has vertical steps in the wall with a narrow coping or pool deck. Available with a flange with cover plates or standard.

Material: Stainless Steel 38 mmø mirror polished

Standard: The legs are 100mm longer which allows you to set the grab rails in concrete or epoxy.

Flanged: A flange allows you to fix the grab rails to the pool deck using bolts and loxins or similar (3 bolts and 3 loxins per flange).