

**Rainbow Pool Products**

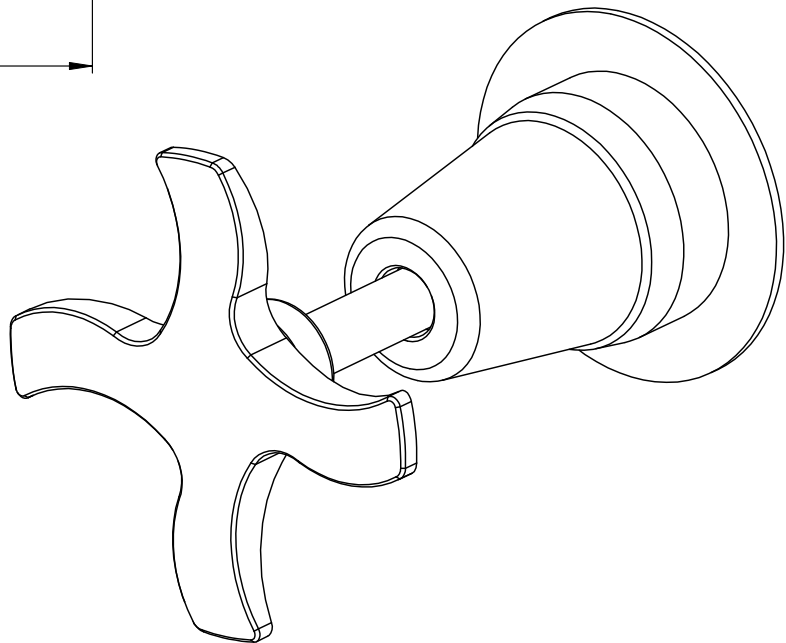
PO Box 2388, Mansfield Qld 4122

Telephone STD 61-7-3849 5385

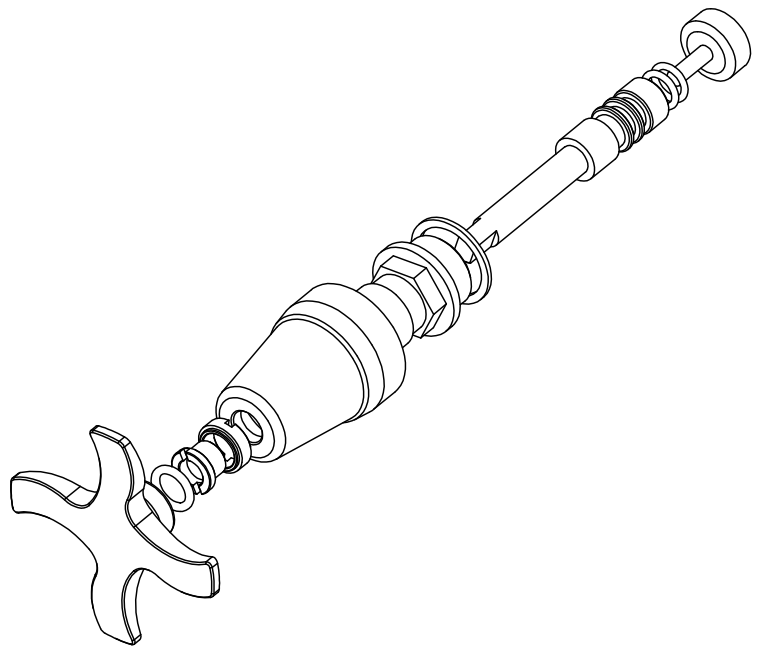
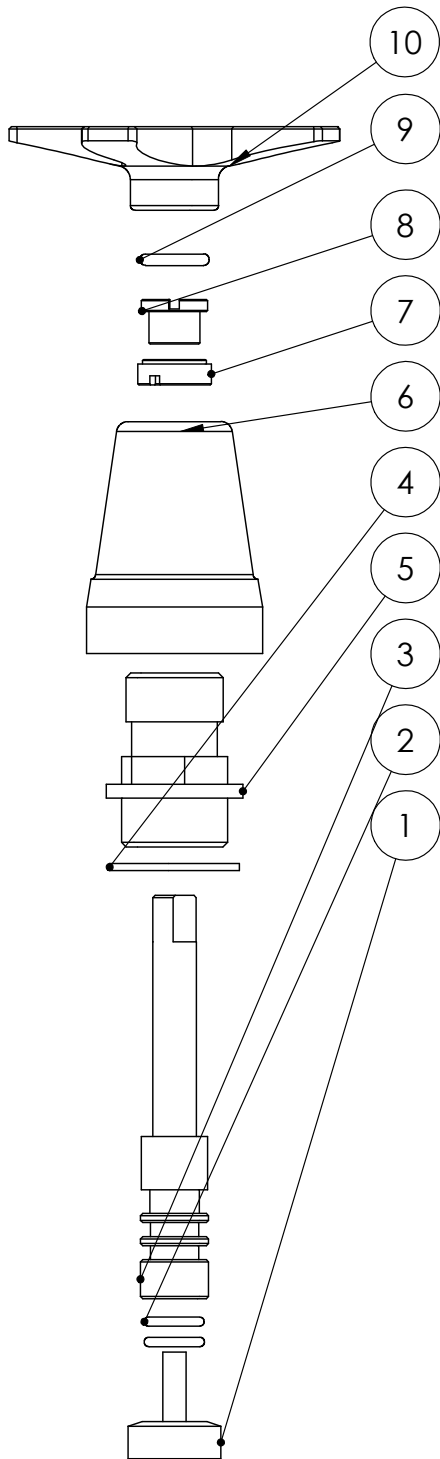
Facsimile STD 61-7-3849 5384

Email: [info@rainbowpoolproducts.com.au](mailto:info@rainbowpoolproducts.com.au)

Web: [www.rainbowpoolproducts.com.au](http://www.rainbowpoolproducts.com.au)



UNLESS OTHERWISE SPECIFIED: DIMENSIONS ARE IN MILLIMETERS SURFACE FINISH: TOLERANCES: LINEAR: ANGULAR:		FINISH:  Machined		DEBUR AND BREAK SHARP EDGES		DO NOT SCALE DRAWING		REVISION	
						© Rainware Pty Ltd 2012			
DRAWN		SIGNATURE		DATE		TITLE:  <b>S/S Tapware</b>			
CHK'D									
APPV'D									
MFG		Rainware Pty Ltd							
QA				MATERIAL:  316 Stainless Steel		DWG NO.		A4	
				WEIGHT:		SCALE:1:2		SHEET 1 OF 1	



ITEM NO.	PART NUMBER	DESCRIPTION	QTY.
1	C860	Doust Tap Washer	1
2	C900	Spindle O-Ring	2
3	A017	87mm Spindle	1
4	C851	Fibre Body Washer	1
5	A019	Spindle Body	1
6	A021	Bell Flange	1
7	A023	Male Handle Insert	1
8	A022	Female Handle Insert	1
9	C905	Handle O-Ring	1
10	A025	Rainware Handle	1

UNLESS OTHERWISE SPECIFIED:  
DIMENSIONS ARE IN MILLIMETERS  
SURFACE FINISH:  
TOLERANCES:  
LINEAR:  
ANGULAR:

FINISH:

Brushed

DEBUR AND  
BREAK SHARP  
EDGES

DO NOT SCALE DRAWING

REVISION

© Rainware Pty Ltd 2013

	NAME	SIGNATURE	DATE		
DRAWN	Stevan Balfour		31/1/2013		
CHK'D					
APP'VD					
MFG	Rainware Pty Ltd				
QA					
				MATERIAL:	
				Various	
				WEIGHT:	

TITLE:		Handle Assembly	
DWG NO.			A4
SCALE: Not To Scale	SHEET 1 OF 1		