



## Rainbow Pool Products

PO Box 2388, Mansfield Qld 4122

Telephone STD 61-7-3849 5385

Facsimile STD 61-7-3849 5384

Email: [info@rainbowpoolproducts.com.au](mailto:info@rainbowpoolproducts.com.au)

Web: [www.rainbowpoolproducts.com.au](http://www.rainbowpoolproducts.com.au)

**WATERCO**  
water, the liquid of life

# ELECTROCHLOR

## Salt water pool chlorinator

ElectroChlor automatically generates chlorine to keep your swimming pool clean and healthy.

- Easy to set & operate.
- Precision chlorine production controls
- High performance titanium electrolytic cell
- Self cleaning electrolytic cell (optional)
- 4 bar pressure rated salt cell housing



**30**  
years  
Since 1981

[www.waterco.com](http://www.waterco.com)

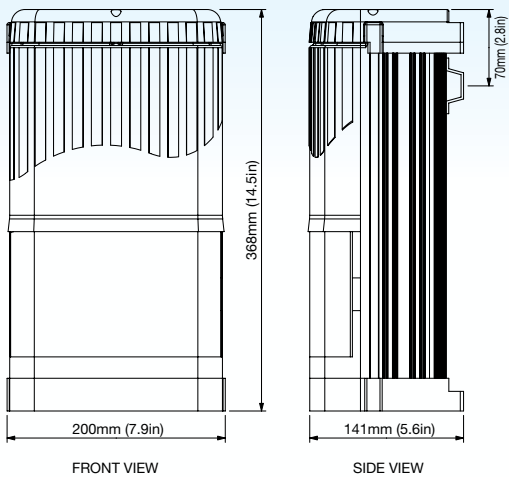
## ElectroChlor Technical Specifications

Model	Input Watt kW (max)	Output current DC amp (max)	Chlorine production gram/hour	Max Pool Capacity Climate	
				Temperate	Tropical
25A / 25A SC	0.3125	25	25	100,000 litres	60,000 litres
30A / 30A SC	0.3750	30	30	120,000 litres	72,000 litres

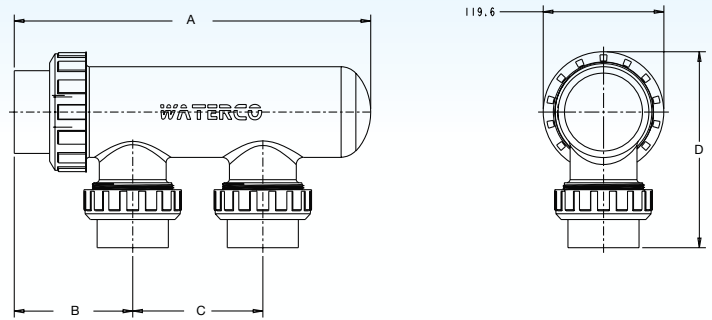
	25A / 25A SC	30A / 30A SC
Primary input volts	220-240 VAC 50/60 Hz	220-240 VAC 50/60 Hz
Input power	330W	380W
Max. total current	10A	10A
Pump outlet max.	8A	8A
Cell volts	6-8V	6-8V
Degr. of protection to AS1939	IP23	IP23

- All units are equipped with a 3 amp self-resetting fuse.
- Pool capacity is based on a stabilised swimming pool with a minimum salt level of 5,000 ppm.

### ElectroChlor Power Pack Dimensions

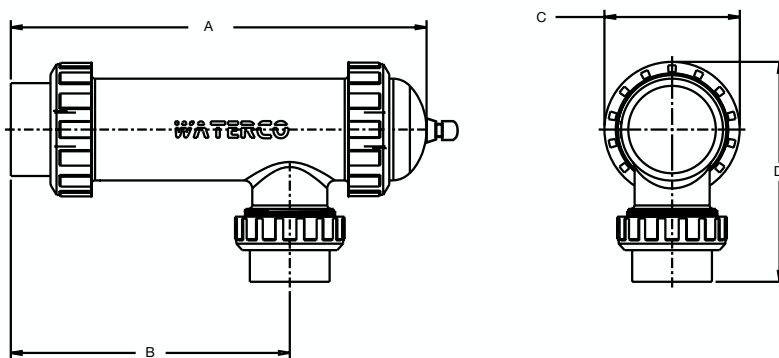


### ElectroChlor Self Clean Cell Dimensions



Model	A	B	C	D
30 SC	423.5mm	136.5mm	280mm	188.8mm
25 SC	353.5mm	117.5mm	129mm	194.3mm

### ElectroChlor Standard Cell Dimensions



Model	A	B	C	D
25A / 30A	385mm	275mm	96mm	163mm

These chlorinators are approved and conformed to AS3136 Swimming Pool Equipment, as a prescribed article under Australian Registration. These chlorinators conform to the Australian Electromagnetic Compatibility Standard marked by the C-tick.