



Hydro 5000 Pumps

Commercial cast iron pumps

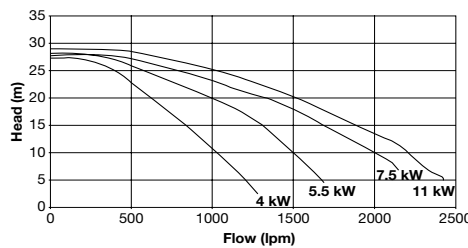


The Hydro 5000 pump features a hydraulically efficient bronze impeller which allows for quiet operation and excellent flow plus an 18 litre capacity strainer.

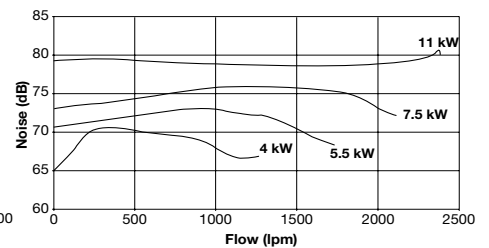
HYDRO 5000 PUMPS

Part Number	Product Description	Nominal Size
	Composite Lid & Lock Ring	
24095500	5.5kW C.I. Pump	7.5hp / 5.5kW
24097500	7.5kW C.I. Pump	10.0hp / 7.5kW
240911000	11.0kW C.I. Pump	15hp / 11.0kW

Flow Curves



Noise Level



Specifications

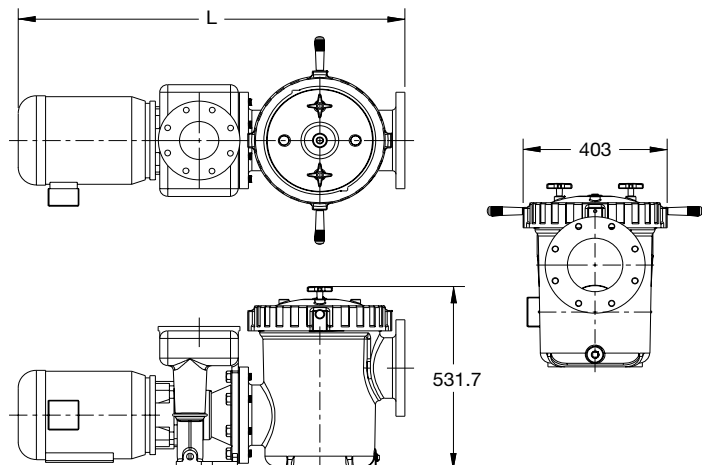
Model	Nominal Power (hp)	Input Power (kW)	Amps/Phase	Weight (kg)	Total Length (mm)	Motor Frame	Inlet/Outlet
4.0 kW	5.4	4.0	6.8	208	1060	112	150mm suction / 100mm discharge
5.5 kW	7.4	5.5	9.2	221	1124	132	150mm suction / 100mm discharge
7.5 kW	10.0	7.5	13.2	221	1162	132	150mm suction / 100mm discharge
11.0kW	14.7	11.0	21.5	279	1236	160	150mm suction / 100mm discharge

Phase	Volts	RPM	Pump Rating
3	380 - 420	2950	IPX5

Part	Materials
Pump Bracket	Cast Iron
Pump Body Gasket	Neoprene
Seal Assembly	Alumina Ceramic/ SS316/ Carbon (Silicon Carbide optional)
Impeller	Bronze
Impeller Washer	Stainless Steel Grade 316
Wear Ring	Bronze
Plug (for wet end)	Mild Steel
Pump Housing	Cast Iron
Strainer Basket	Stainless Steel Grade 316

Dimension (mm)

Model	A	B	D	E	F	L
4 kW	260	180	112	95	140	1017
5.5 kW and 7.5 kW	298	200	132	108	140	1070
11 kW	325	220	160	127	210	1198



Warranty

Waterco commercial pumps are covered by a comprehensive 1 year warranty for commercial installations.