



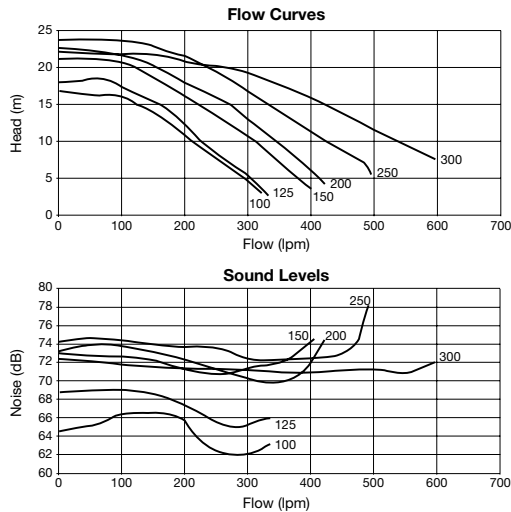
Rainbow Pool Products
 PO Box 2388, Mansfield Qld 4122
 Telephone STD 61-7-3849 5385
 Facsimile STD 61-7-3849 5384
 Email: info@rainbowpoolproducts.com.au
 Web: www.rainbowpoolproducts.com.au

Hydrostorm Plus Pumps

Extra power, higher performance

HYDROSTORM PLUS PUMPS

Part Number	Product Description	Nominal Size
2405100	Hydrostorm Plus 100	1.00hp
2405125	Hydrostorm Plus 125	1.25hp
2405150	Hydrostorm Plus 150	1.50hp
2405200	Hydrostorm Plus 200	2.00hp
2405250	Hydrostorm Plus 250	2.50hp
2405300	Hydrostorm Plus 300	3.00hp



The Hydrostorm plus has all the proven features of the Hydrostorm with the addition of an innovative lid & lock ring for easier maintenance and a larger strainer basket for increased capacity.

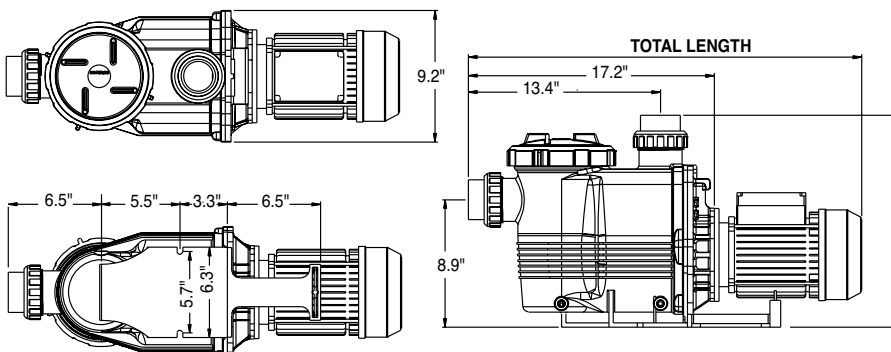
- 2.25 litre strainer basket.

Specifications

Model	Flow Rate (lpm)		Nom. HP	kW	Amps	Phase	Total Length (mm)	Motor Frame (mm)	Inlet/Outlet
	8m	10m							
Hydrostorm Plus 100	248	220	1	0.96	4.2	1	631	71	50mm ports x / 50mm unions
Hydrostorm Plus 125	267	237	1.25	1.02	4.5	1	631	71	50mm ports x / 50mm unions
Hydrostorm Plus 150	336	309	1.5	1.40	5.8	1	678	80	50mm ports x / 50mm unions
Hydrostorm Plus 200	379	350	2	1.51	6.3	1	678	80	50mm ports x / 50mm unions
Hydrostorm Plus 250	479	449	2.5	1.85	7.8	1	678	80	65mm ports x / 50mm unions
Hydrostorm Plus 300	588	549	3	2.08	9.0	1	730	90	65mm ports x / 50mm unions

Phase	Volts	Cycle	RPM
1	220- 240	50	2860

Dimension



Warranty

Pumps	3 years (conditional) *
Wet End	3 years
Motor, mechanical seal, O' ring, basket & impeller	2 years
Commercial applications	1 year
Labour	1 year

* Please refer to Waterco's warranty terms and conditions