



Rainbow Pool Products

PO Box 2388, Mansfield Qld 4122

Telephone STD 61-7-3849 5385

Facsimile STD 61-7-3849 5384

Email: info@rainbowpoolproducts.com.au

Web: www.rainbowpoolproducts.com.au

Hydrostorm Pumps

Extra power, higher performance

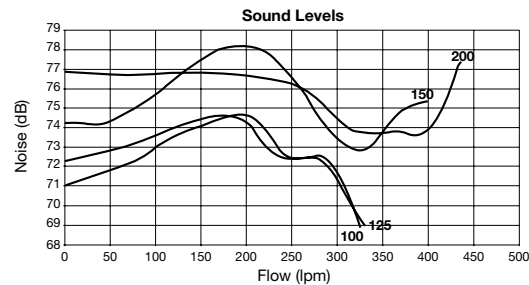
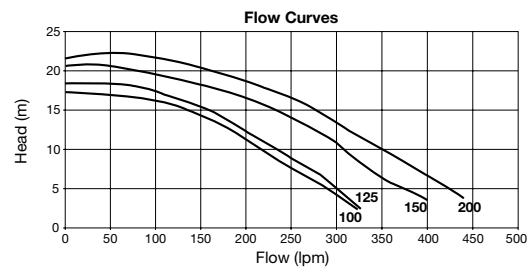


The Hydrostorm is designed to have all the extra power you need to cope with modern day swimming pool designs.

- 2.25 litre strainer basket.

HYDROSTORM PUMPS

Part Number	Product Description	Nominal Size
244100	Hydrostorm 100	1.00hp
244125	Hydrostorm 125	1.25hp
244150	Hydrostorm 150	1.50hp
244200	Hydrostorm 200	2.00hp

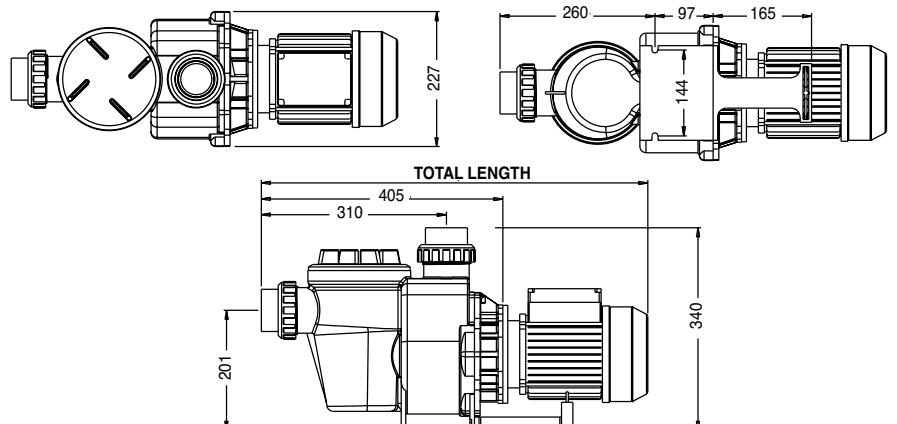


Specifications

Model	Flow Rate (lpm)		Nom. HP	kW	Amps	Phase	Total Length (mm)	Motor Frame (mm)	Inlet/Outlet
	8m	10m							
Hydrostorm 100	248	219	1	0.91	4.00	1	600	71	50mm ports x / 50mm unions
Hydrostorm 125	267	237	1.25	1.08	4.80	1	600	71	50mm ports x / 50mm unions
Hydrostorm 150	336	309	1.5	1.31	5.80	1	647	80	50mm ports x / 50mm unions
Hydrostorm 200	379	250	2	1.46	6.60	1	647	80	50mm ports x / 50mm unions

Phase	Volts	Cycle	RPM
1	220- 240	50	2860

Dimension



Warranty

Pumps	3 years (conditional) *
Wet End	3 years
Motor, mechanical seal, O' ring, basket & impeller	2 years
Commercial applications	1 year
Labour	1 year

* Please refer to Waterco's warranty terms and conditions