



Rainbow Pool Products

PO Box 2388, Mansfield Qld 4122

Telephone STD 61-7-3849 5385

Facsimile STD 61-7-3849 5384

Email: info@rainbowpoolproducts.com.au

Web: www.rainbowpoolproducts.com.au

Hydrotuf Pumps

High performance pumps

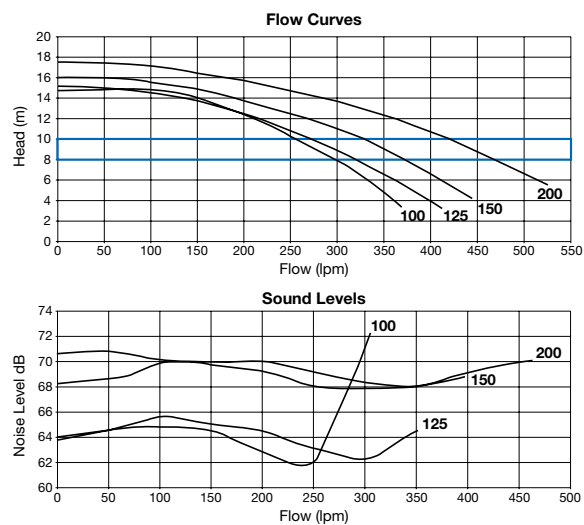


Equipped with an innovative lid and lock ring for easy access to a large capacity strainer basket, Hydrotuf pump is ideal for large domestic swimming pools.

- 2.25 litre strainer basket.
- Innovative lid and lock ring.

HYDROTUF PUMPS

Part Number	Product Description	Nominal Size
2411005	Hydrotuf 100	
2411255	Hydrotuf 125	
2411505	Hydrotuf 150	
2412005	Hydrotuf 200	

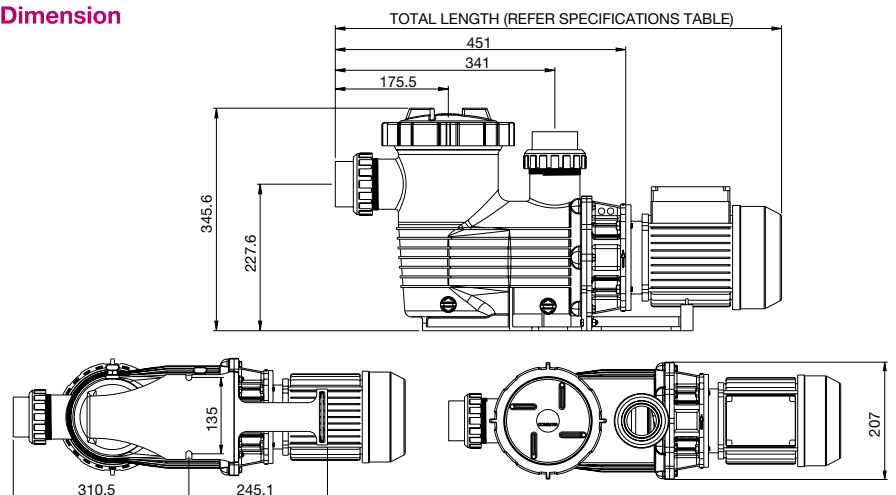


Specifications

Model	Flow Rate (lpm)		Nom. Power (hp)	Motor Input (kW)	Amps	Weight (kg)	Total Length (mm)	Motor Frame (mm)	Inlet/Outlet
	8m	10m							
Hydrotuf 100	225	190	1.00	0.86	4.0	9.60	651	71	50mm ports x / 50mm unions
Hydrotuf 125	280	240	1.25	0.95	4.0	9.60	651	71	50mm ports x / 50mm unions
Hydrotuf 150	325	285	1.50	1.10	4.7	12.60	691	80	50mm ports x / 50mm unions
Hydrotuf 200	400	355	2.00	1.50	6.8	12.60	691	80	50mm ports x / 50mm unions

Phase	Volts	Cycle	RPM
1	220- 240	50	2860

Dimension



Warranty

Pumps	3 years (conditional) *
Wet End	3 years
Motor, mechanical seal, O' ring, basket & impeller	2 years
Commercial applications	1 year
Labour	1 year

* Please refer to Waterco's warranty terms and conditions