





MULTI CYCLONE PLUS

A revolution in pool filtration



MultiCyclone Plus combines centrifugal and cartridge filtration into one streamline housing, creating an ultra compact filtration system that can be vertically installed on a pool pump.

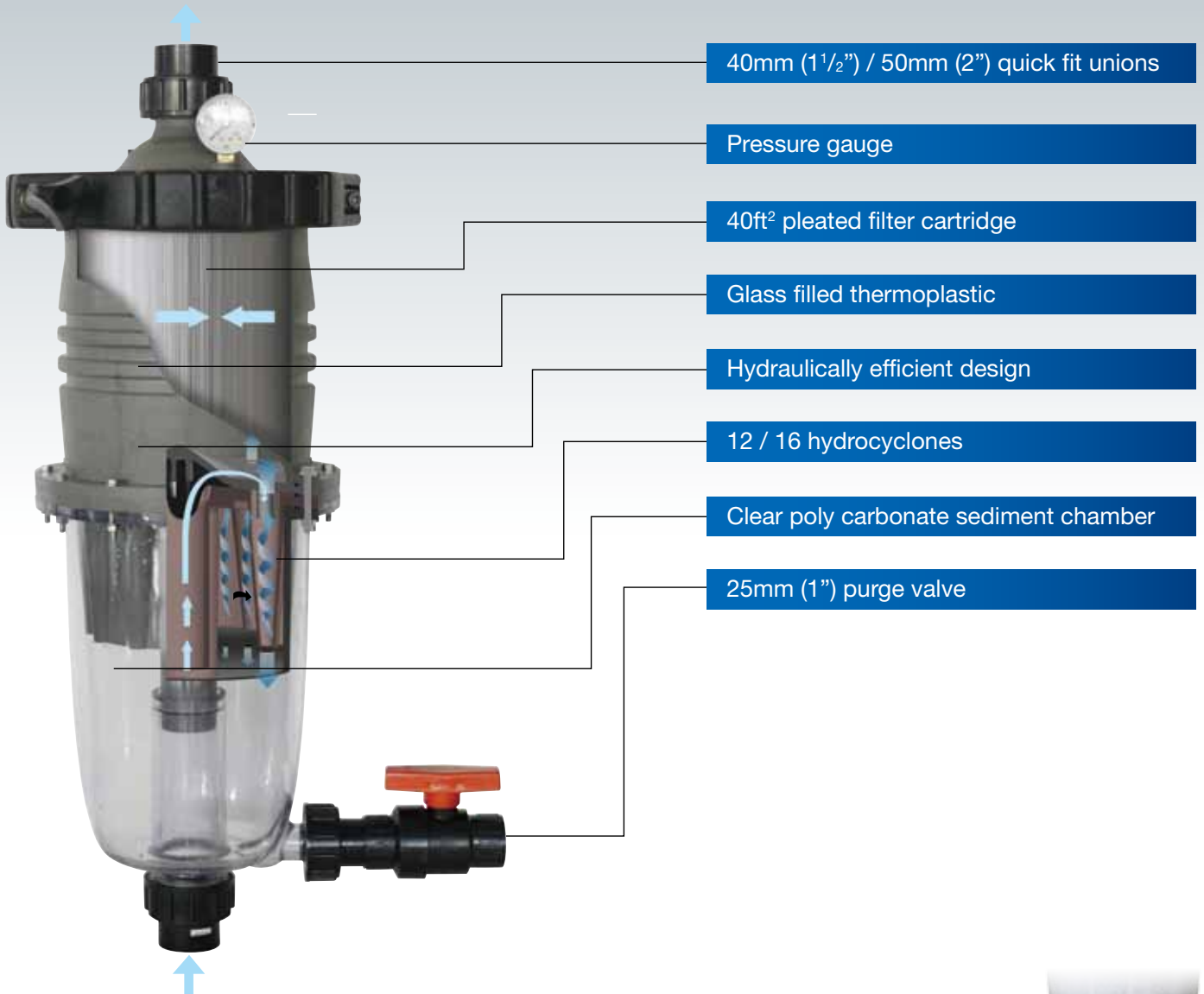
-  Dual stage filtration
-  Ultra compact
-  Ease of maintenance
-  Save time, water and energy

MULTI  CYCLONE 12 PLUS

MULTI  CYCLONE 16 PLUS

Dual stage filtration

Incoming water tangentially enters its multiple hydrocyclones, generating a strong centrifugal effect. Approximately 80% of the incoming dirt load is spiralled down to its clear sediment chamber. The outgoing water is finally polished via its inbuilt cartridge filter, producing crystal clear water.



Extended filter capacity

As MultiCyclone Plus's centrifugal section filter pre-filters up to 80% of the incoming dirt load, the capacity of its 40 ft² filter cartridge is magnified by up to 5 times.

Ease of maintenance

MultiCyclone Plus's sediment chamber is easily cleaned by opening its purge valve. Only 15 litres of water is discharged.



Ultra compact

MultiCyclone Plus's streamlined design means the entire filtration system can be installed vertically, reducing the footprint of the equipment pad. Additionally, minimal pipework reduces the filtration system's overall head loss. Alternatively the MultiCyclone Plus can be installed next to the pump by using an optional support base.



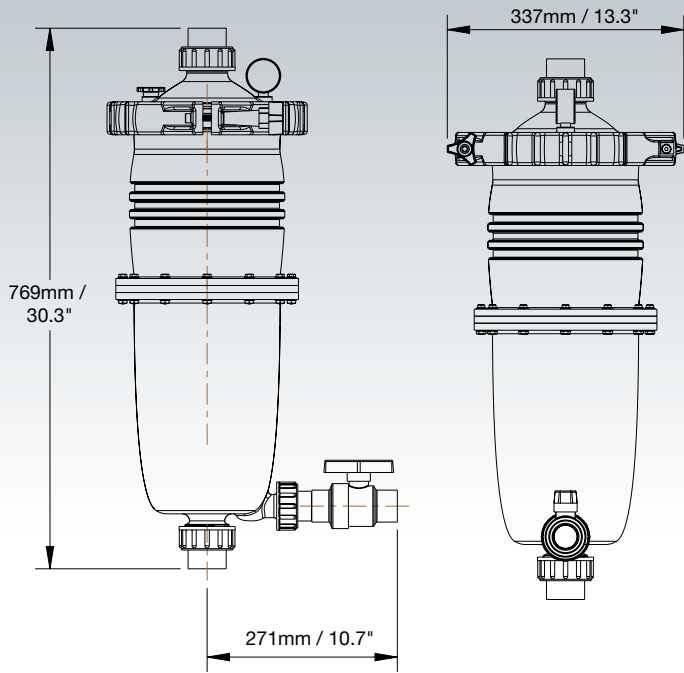
Specifications

Model	Hydrocyclones	Connection Ports	Minimum Flow	Maximum Flow	Filter Area	Maximum Pool Size	Maximum Pressure
MultiCyclone12 Plus	12	40mm / 1 1/2"	40lpm	152lpm	3.7m ² / 40 sqft	73,000l	350 kPa (50psi)
MultiCyclone16 Plus	16	50mm / 2"	50lpm	152lpm	3.7m ² / 40 sqft	73,000l	350 kPa (50psi)

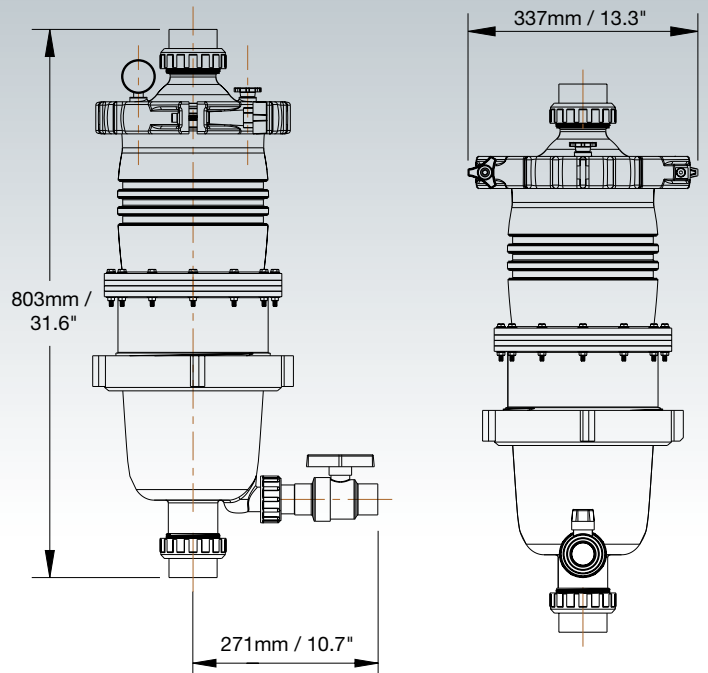
Maximum flow is limited by the surface area of the filter cartridge. Residential Cartridge Design Filtration Rate: 41 lpm/m² (1gpm/ft²)

Dimensions

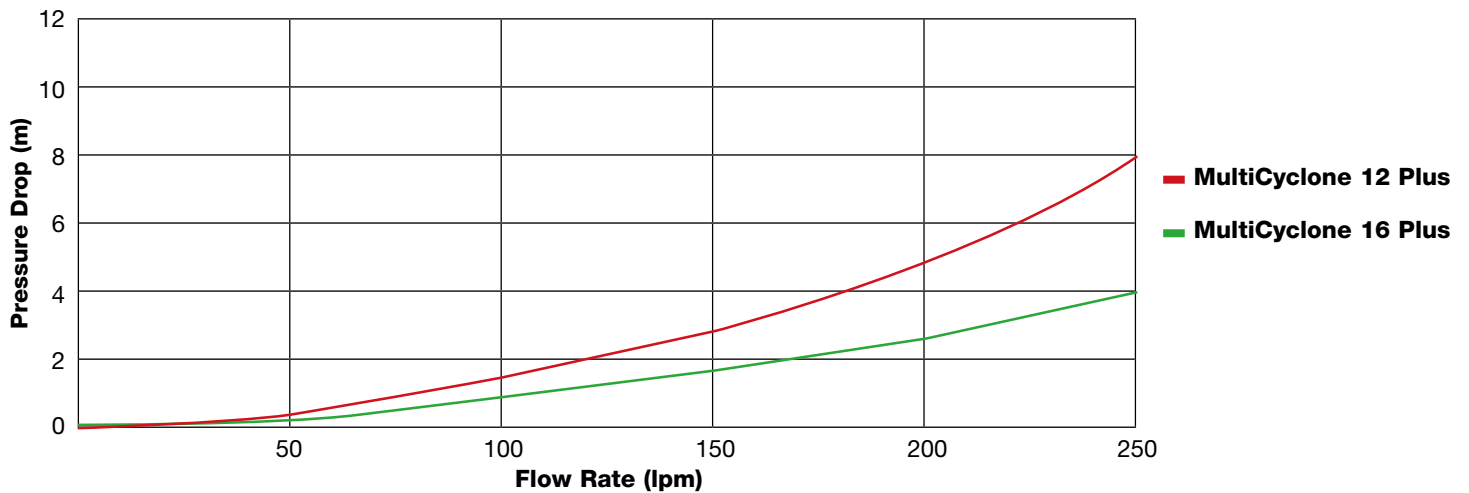
MultiCyclone 12 Plus



MultiCyclone 16 Plus



Head Loss Curves



Warranty

MultiCyclone Plus is covered by a 2 year warranty and 1 year warranty on labour. Commercial installations are covered by a 1 year warranty.



Rainbow Pool Products

PO Box 2388, Mansfield Qld 4122

Telephone STD 61-7-3849 5385

Facsimile STD 61-7-3849 5384

Email: info@rainbowpoolproducts.com.au

Web: www.rainbowpoolproducts.com.au