

# MULTI CYCLONE ULTRA

*A revolution in pool filtration*



MultiCyclone Ultra combines centrifugal and cartridge filtration into one streamline housing, creating an ultra compact filtration system that can be vertically installed on a pool pump.

**Dual stage filtration**

**Ultra compact**

**Ease of maintenance**

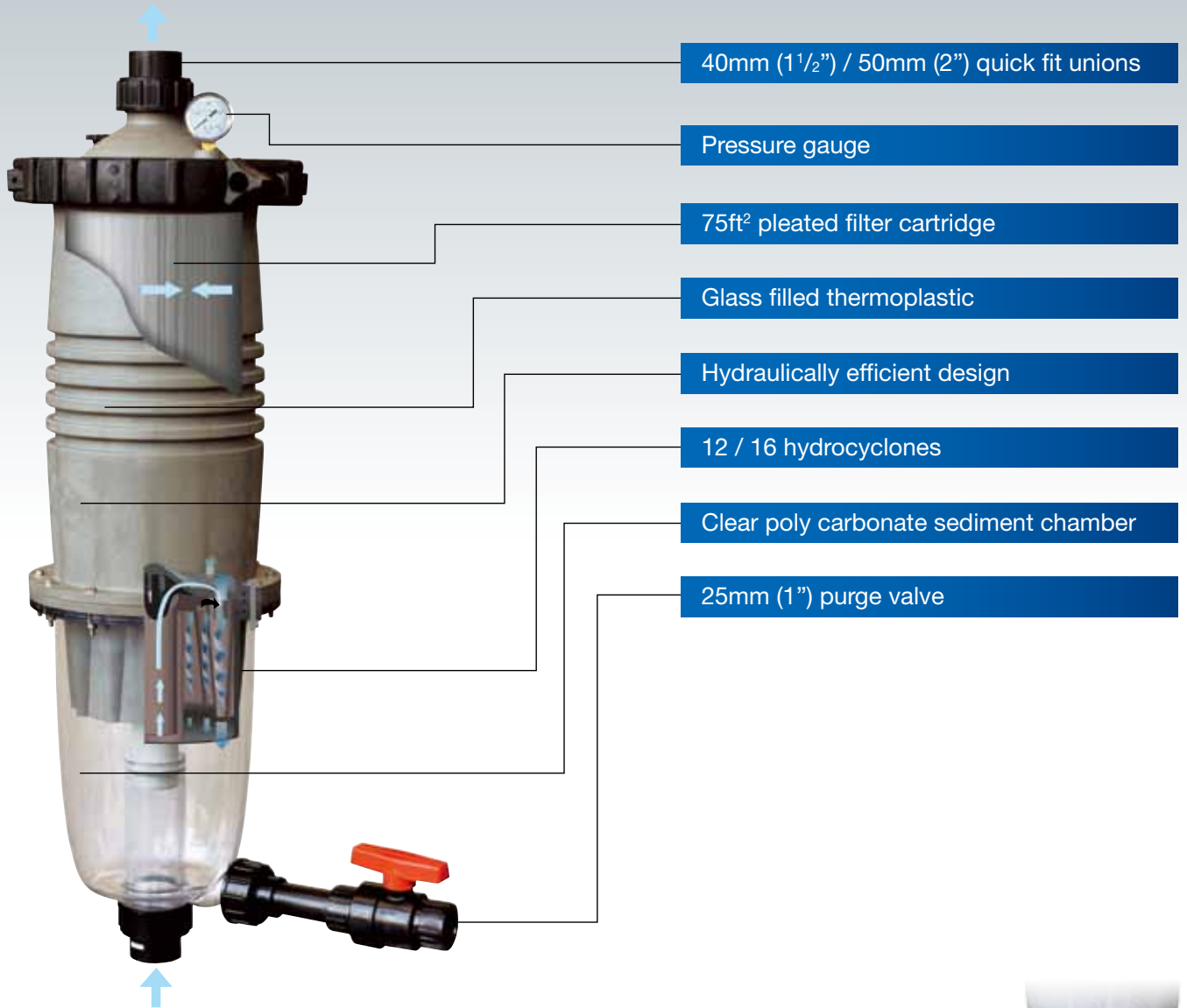
**Save time, water and energy**

MULTI  CYCLONE 16 ULTRA

MULTI  CYCLONE 12 ULTRA

## Dual stage filtration

Incoming water tangentially enters its multiple hydrocyclones, generating a strong centrifugal effect. Approximately 80% of the incoming dirt load is spiralled down to its clear sediment chamber. The outgoing water is finally polished via its inbuilt cartridge filter, producing crystal clear water.



## Extended filter capacity

As MultiCyclone Ultra's centrifugal section filter pre-filters up to 80% of the incoming dirt load, the capacity of its 75ft² filter cartridge is magnified by up to 5 times.

## Ease of maintenance

MultiCyclone Ultra's sediment chamber is easily cleaned by opening its purge valve. Only 15 litres of water is discharged.



## Ultra compact

MultiCyclone Ultra's streamline design combines the benefits of the Waterco award winning MultiCyclone prefiltration and a compact cartridge filter that enables a reduction in pool equipment foot print and required pipe work, reducing the filtration system overall head loss. The MultiCyclone Ultra can also be mounted using the MultiCyclone support stand.



*Note: It is recommended when installing the MultiCyclone Ultra directly to the pump as illustrated, the MultiCyclone Ultra should be supported to ensure stability.*

## MultiCyclone Support Stand

The MultiCyclone support stand suits all MultiCyclone models. This is a great alternative if the height of the installation is prohibitive.



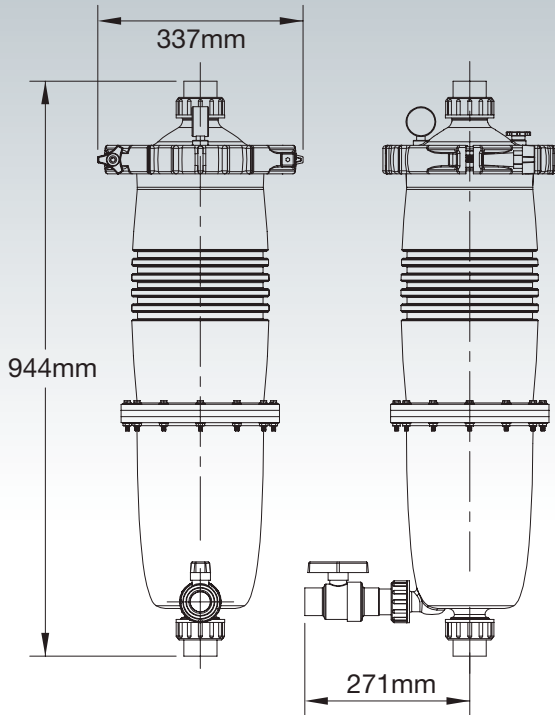
## Specifications

Model	Hydrocyclones	Connection Ports	Minimum Flow	Maximum Flow	Filter Area	Maximum Pool Size	Maximum Pressure
<b>MultiCyclone12 Ultra</b>	12	40mm / 1 1/2"	40lpm	225lpm	6.9m <sup>2</sup> / 75ft <sup>2</sup>	108,000l	350 kPa (50psi)
<b>MultiCyclone16 Ultra</b>	16	50mm / 2"	50lpm	280lpm	6.9m <sup>2</sup> / 75ft <sup>2</sup>	134,000l	350 kPa (50psi)

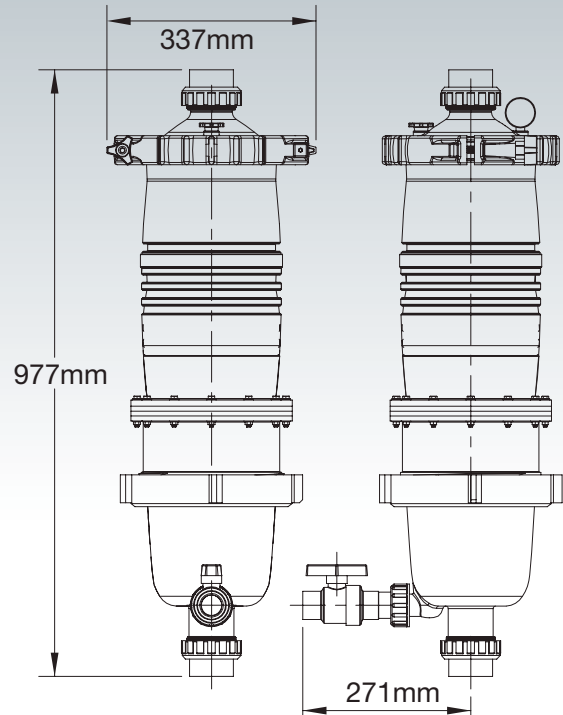
Maximum flow is limited by the surface area of the filter cartridge. Residential Cartridge Design Filtration Rate: 41 lpm/m<sup>2</sup> (1gpm/ft<sup>2</sup>)

## Dimensions

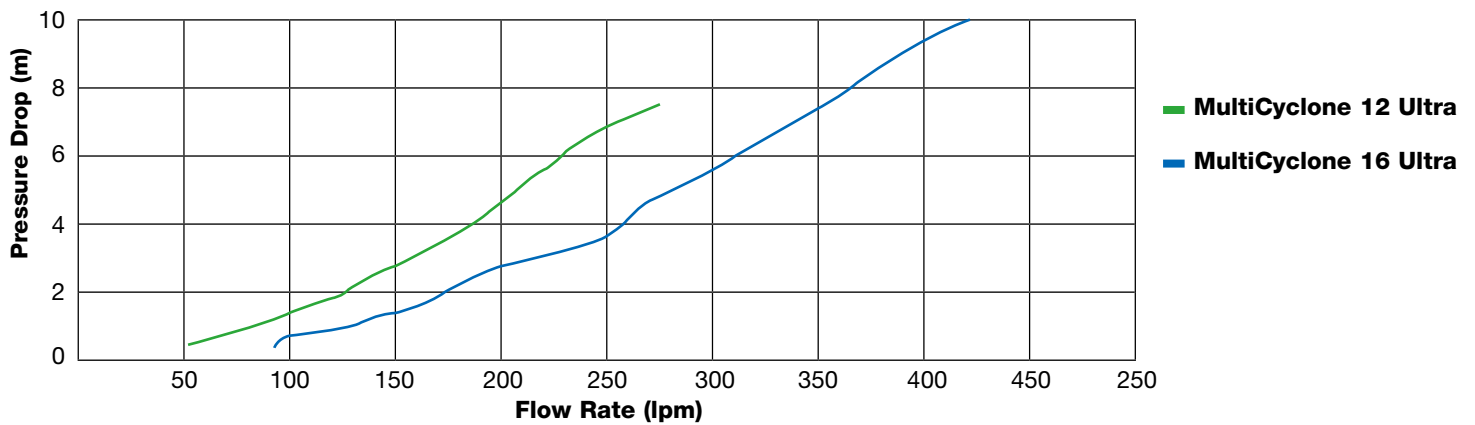
### MultiCyclone 12 Ultra



### MultiCyclone 16 Ultra



## Head Loss Curves



### Warranty

MultiCyclone Ultra is covered by a 2 year warranty and 1 year warranty on labour. Commercial installations are covered by a 1 year warranty.



## Rainbow Pool Products

PO Box 2388, Mansfield Qld 4122

Telephone STD 61-7-3849 5385

Facsimile STD 61-7-3849 5384

Email: [info@rainbowpoolproducts.com.au](mailto:info@rainbowpoolproducts.com.au)

Web: [www.rainbowpoolproducts.com.au](http://www.rainbowpoolproducts.com.au)