

OPAL XL



Cartridge Filter

For crystal clear, sparkling water



Opal XL cartridge filters are designed to house an extra large filter cartridge, maximising its dirt holding capacity and minimising filter maintenance.

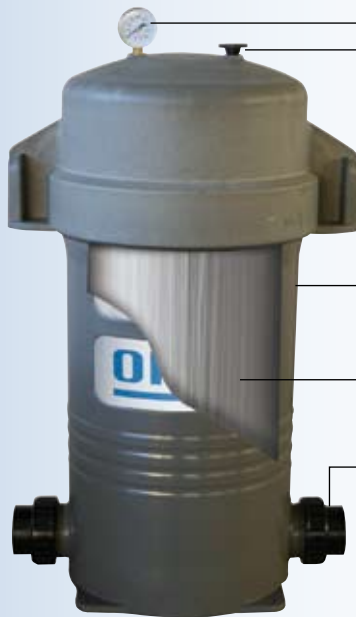
The filter's dome lid allows easy access to the filter cartridge for removal, cleaning and installation in a matter of minutes.

The Opal XL cartridge filters are ideal for applications where back washing may not be practical or areas where water may be scarce.



Rugged Construction

Constructed from high impact polypropylene and designed for easy maintenance. The Opal XL cartridge filters will provide years of trouble free service.



Easy to read pressure gauge.

Air relief valve.

Dome shaped lid, allowing simple cartridge removal and replacement.

Solid one piece moulded polymer tank. Low profile for easy cartridge removal and inconspicuous enclosure.

Tough heavy duty polyester filter fabric with wide and deep pleats for better filter efficiency, easy cleaning and longer cartridge life.

50mm quick connect barrel unions for UPVC pipe.

Extra Large Filter Cartridge

Opal XL filter cartridges are fabricated from pleated reusable polyester fabric. The extra larger size cartridge has been pleated to provide 225ft² (20.9m²) to 270ft² (25.1m²) of surface area maximising its dirt holding capacity and minimising filter maintenance.

Material: Polyester fabric material, plastisol end caps and a polypropylene core.

Operating Temperature: 4°C to 50°C **Maximum Pressure Drop:** 20 kPa



Simple Maintenance

The filter cartridge is easily cleaned by hosing the pleats with a standard garden hose.

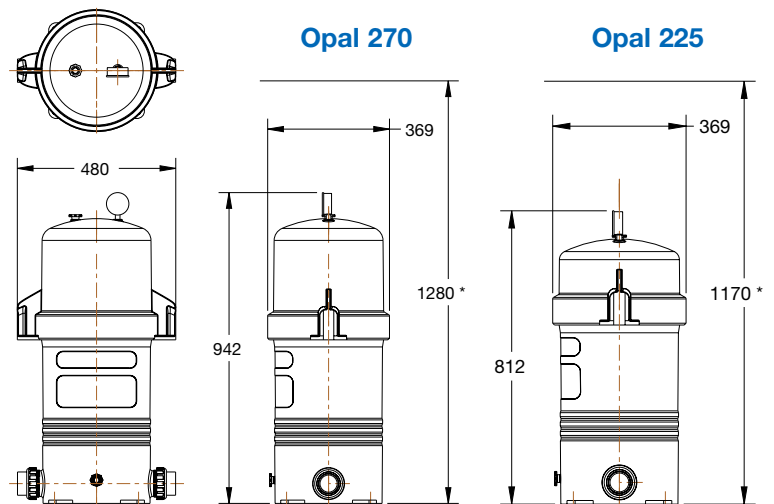
Technical Specifications

Model	Filter Area		Max Flow Rate lpm	Working Pressure		Max Pool Size litres
	(m ²)	(ft ²)		kPa	psi	
Opal 225	20.9	225	510	350	50	183,600
Opal 270	25.1	270	510	350	50	183,600

Warranty

Waterco is proud to show its absolute confidence in its range of Opal cartridge filters by offering a 10 year (5+5) tank warranty and 1 year warranty on all other components. Commercial applications attract a 1 year tank warranty.

Dimensions



* Minimum Clearance Height to Remove Cartridge (mm)



Rainbow Pool Products

PO Box 2388, Mansfield Qld 4122

Telephone STD 61-7-3849 5385

Facsimile STD 61-7-3849 5384

Email: info@rainbowpoolproducts.com.au

Web: www.rainbowpoolproducts.com.au