



TurboFlo Pumps

Multipurpose high performance pumps



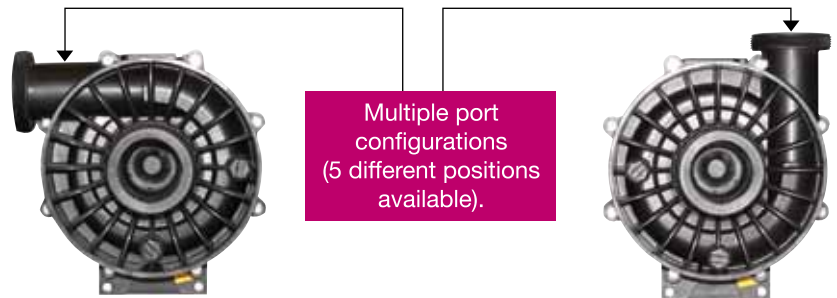
TurboFlo is a hydraulically efficient, high performance pump designed for pools and spas with high power requirements. It has an adjustable wet end which can be configured to suit up to 5 different plumbing conditions.

TURBOFLO PUMPS

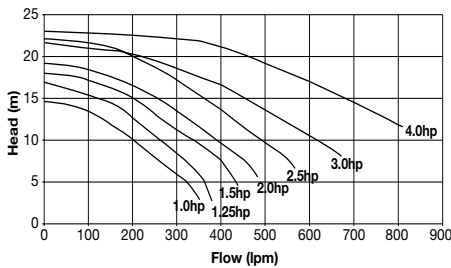
Part Number	Product Description	Nominal Size
2462100	TurboFlo 100	1.00hp
2462125	TurboFlo 125	1.25hp
2462150	TurboFlo 150	1.50hp
2462200	TurboFlo 200	2.00hp
2462250	TurboFlo 250	2.50hp
2462300	TurboFlo 300	3.00hp

Adjustable wet end

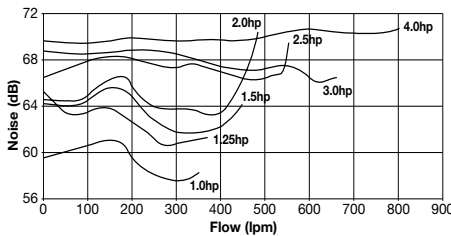
The outlet port of the TurboFlo can be configured to suit different plumbing conditions.



Flow Curves



Sound Levels

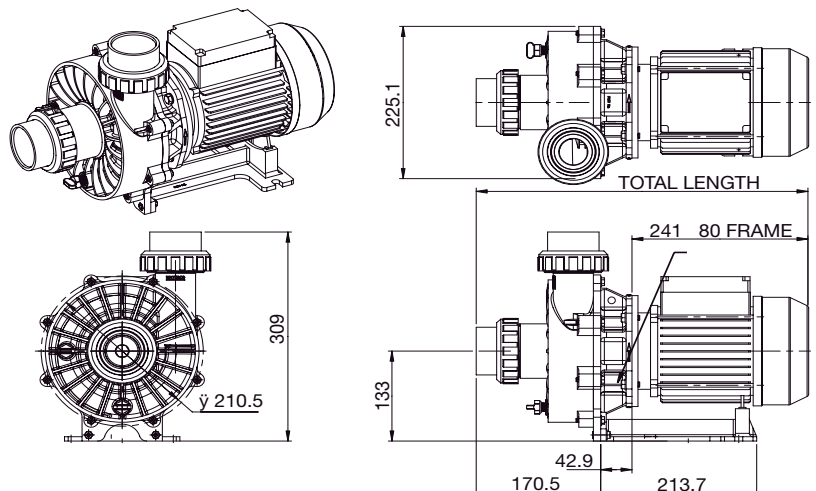


Specifications

Model	Nominal Power (hp)	Motor Input (kW)	Amps	Total Length (mm)	Motor Frame (mm)	Inlet/Outlet
TurboFlo 125	1.25	1.05	4.5	445	71	50mm ports x / 50mm unions
TurboFlo 150	1.50	1.40	5.9	445	80	50mm ports x / 50mm unions
TurboFlo 200	2.00	1.50	6.4	445	80	50mm ports x / 50mm unions
TurboFlo 250	2.50	1.70	7.2	445	80	50mm ports x / 50mm unions
TurboFlo 300	3.00	2.10	9.1	483	90	50mm ports x / 50mm unions

Phase	Volts	Cycle	RPM
1	220- 240	50	2860

Dimensions



Warranty

Pumps	3 years (conditional) *
Wet End	3 years
Motor, mechanical seal, O' ring, basket & impeller	2 years
Commercial applications	1 year
Labour	1 year

* Please refer to Waterco's warranty terms and conditions