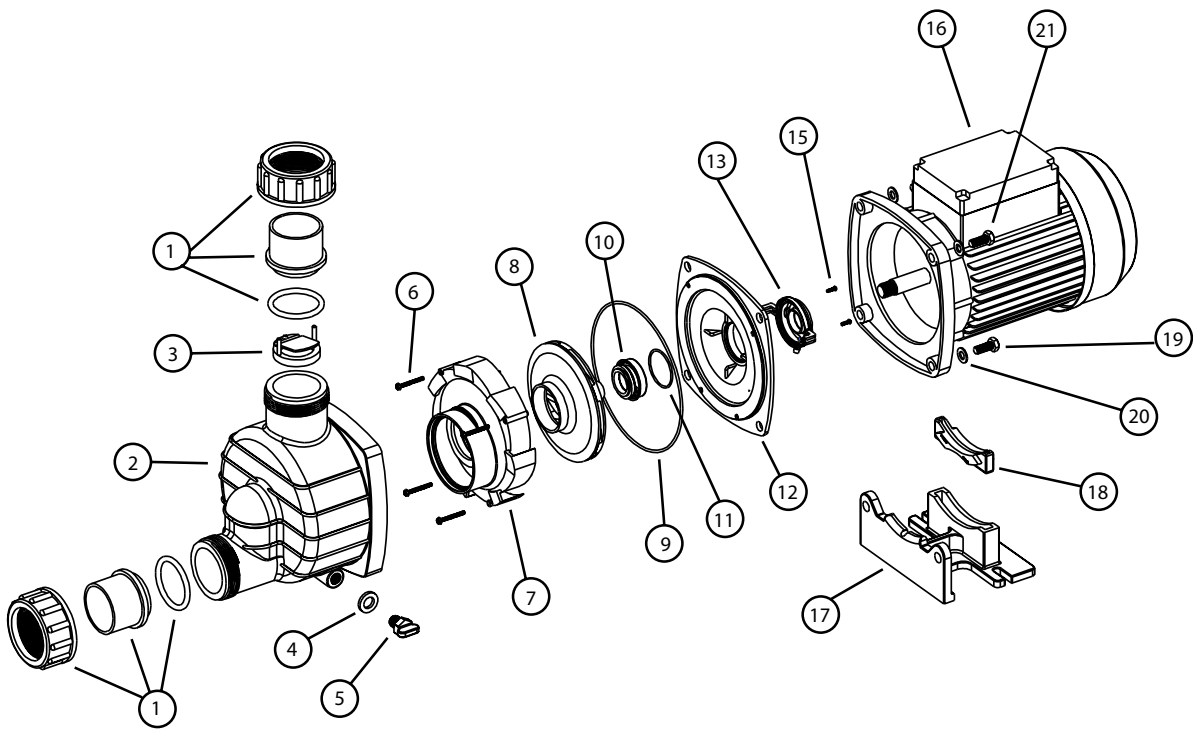


AQUASTREAM SOLAR MK II

(Product Code: 24530500, 24530750, 245301000, 245301250, 245301500)

Part Number	Product Description	Diagram Number
122243B	Half Union 40mm c/w O'Ring	1
64479	O'ring Half Union 40mm	1
635079	Pump Body	2
85517	Solar Check Valve	3
50808921	Drain Plug Washer	4
63402302	Drain Plug	5
638153	Diffuser	7
63613892	Impeller (Aquastream Solar 50)	8
635096	Impeller (Aquastream Solar 75)	8
635097	Impeller (Aquastream Solar 100)	8
6350984	Impeller (Aquastream Solar 125)	8
635099	Impeller (Aquastream Solar 150)	8
S1226911	Pump Body O Ring	9
63506350	Adapter Kit - consists of:	
	6350635 - Adapter Plate	12
	6340165 - Flange Protector Kit	13
	63400833 - Screws (2 required)	15
	6340162 - Mechanical Seal	10
	63813922 - O Ring	11
	S1290816 - Screws M3 x 30 (4 required)	6
6307245	Motor 1.17kW no slinger required (50-125)	16
635035L	Motor 1.68kW (150) no slinger required	16
635035F	Motor 71F 1500WQTE A15 (150)	16
635072	Pump Foot (Aquastream Solar 50-125)	17
6350720	Pump foot (Aquastream Solar 150)	
635074	Pump Foot Insert (Aquastream Solar 50-125)	18
63505321	Multi pack M8 bolts & washers	
	2 x 6350540 (M8 x 40 bolt)	19
	4 x 6302180 (M8 washer)	20
	2 x 6350530 (M8 x 30 bolt)	21
634047	Motor end shield (for 6307245A)	n/s



Rainbow Pool Products

PO Box 2388, Mansfield Qld 4122

Telephone STD 61-7-3849 5385

Facsimile STD 61-7-3849 5384

Email: info@rainbowpoolproducts.com.au

Web: www.rainbowpoolproducts.com.au